

MICRO SWITCH

A DIVISION OF MINNEAPOLIS-HONEYWELL REGULATOR COMPANY
PREPONT, ILLINOIS

FED. MFR. CODE 91929

ACTUATOR-SWITCH

CATALOG LISTING

JE-13

JE-13

M

DRAWING NUMBER

2

ISSUE

REPLACES

RELEASE NO.

CHECK

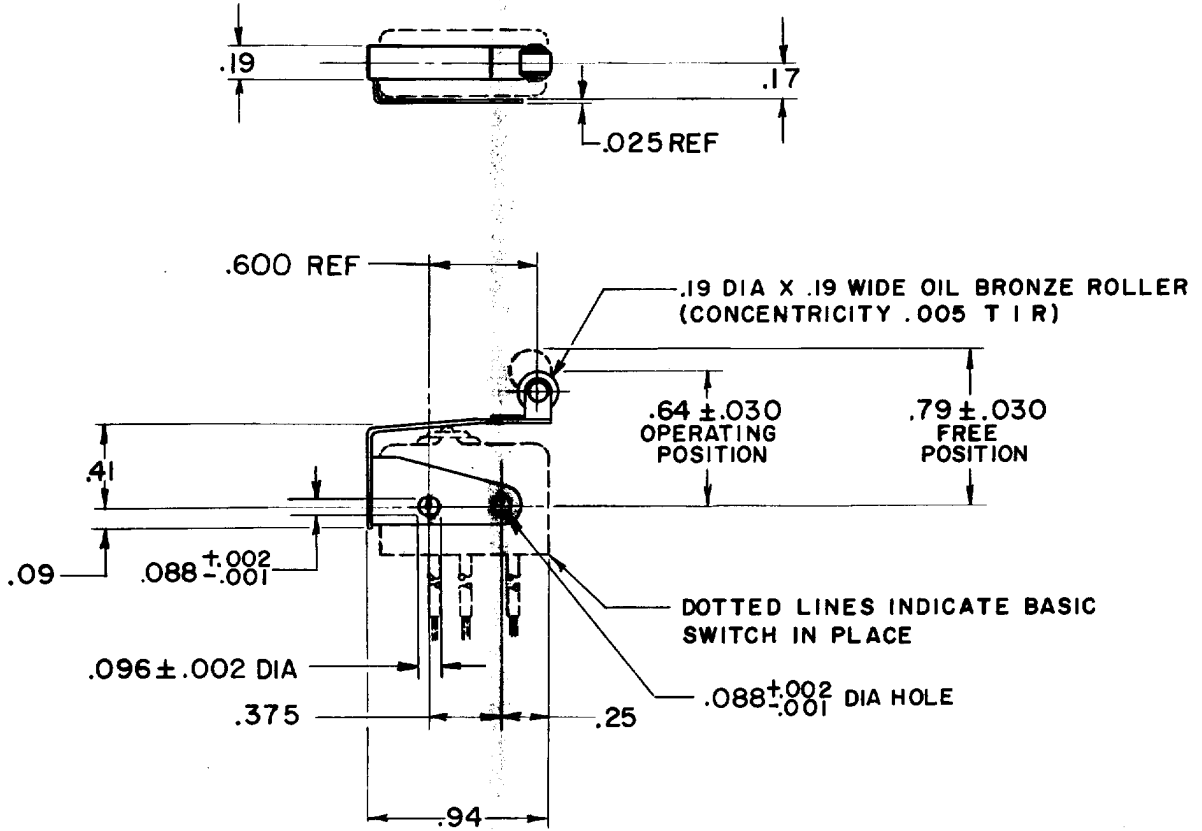
CHECK

CHECK

DRAWN

L S D 19 NOV 59

GCH 20 NOV 59



THIS DRAWING COVERS A PROPRIETARY ITEM AND IS THE PROPERTY OF MICRO SWITCH, A DIVISION OF MINNEAPOLIS-HONEYWELL REGULATOR CO. THIS DRAWING IS NOT TO BE COPIED OR USED WITHOUT THE APPROVAL OF MICRO SWITCH.

CHARACTERISTICS (WITH ISEI)	ELECTRICAL DATA		SCALE FULL
OPERATING FORCE ——— 12 OZ MAX	CONTACT ARRANGEMENT	BREAK DISTANCE	DO NOT SCALE PRINT
RELEASE FORCE ——— 2 OZ MIN			UNLESS OTHERWISE SPECIFIED
DIFFERENTIAL TRAVEL ——— .025 MAX			DIMENSIONS ARE IN INCHES
OVERTRAVEL ——— .015 MIN			TOLERANCES ARE:
			ONE PLACE (.0) \pm .030
			TWO PLACE (.00) \pm .015
			THREE PLACE (.000) \pm .005
			ANGLES \pm
			WEIGHT

0-80378