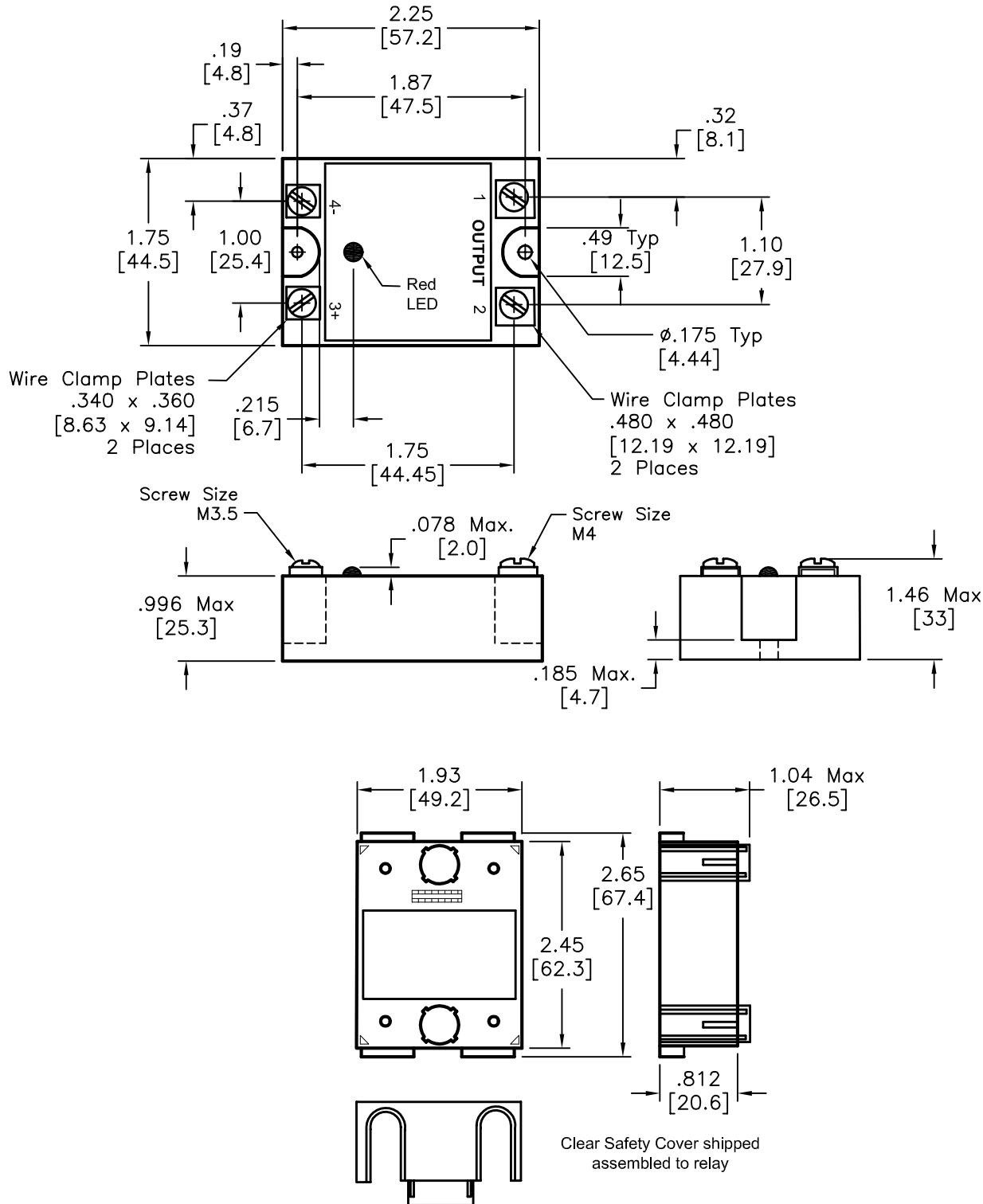


DCP #	REV	DESCRIPTION	DRAWN	DATE	CHECKD	DATE	APPRVD	DATE
844	A	RELEASED	JWM	5/20/03	HO	5/20/03	DJC	5/20/03



SPC-F004.DWG

TOLERANCES: Tolerances Unless Otherwise Specified: Decimal=±.005 Fractional=±.010	DRAWN BY: Jeff McVicker	DATE: 5/20/03	DRAWING TITLE: Solid State Relay, AC SCR Output, 40 Amp			
	CHECKED BY: Hisham Odish	DATE: 5/20/03	SIZE: A	DWG. NO.: SPC9671	ELECTRONIC FILE: 95B0402.dwg	REV: A
	APPROVED BY: Daniel Carey	DATE: 5/20/03	SCALE: NTS	U.O.M.: INCHES [mm]	SHEET: 1 OF 2	

ALL RIGHTS RESERVED. NO PORTION OF THIS PUBLICATION, WHETHER IN WHOLE OR IN PART CAN BE REPRODUCED WITHOUT THE EXPRESS WRITTEN CONSENT OF SPC TECHNOLOGY. DISCLAIMER: ALL STATEMENTS AND TECHNICAL INFORMATION CONTAINED HEREIN ARE BASED UPON INFORMATION AND/OR TESTS WE BELIEVE TO BE ACCURATE AND RELIABLE. SINCE CONDITIONS OF USE ARE BEYOND OUR CONTROL, THE USER SHALL DETERMINE THE SUITABILITY OF THE PRODUCT FOR THE INTENDED USE AND ASSUME ALL RISK AND LIABILITY WHATSOEVER IN CONNECTION THEREWITH.

Solid State Relay Specification

Input Characteristics	
Input Voltage	90 to 280Vac
Must Release Voltage	10Vac
Nominal Input Impedance	13k ohms
Typical Input Current @ 240VAC	20mA
Reverse Polarity Protection	N/A
Output Characteristics	
Switching Device	SCR (2)
Switching Type	Zero Cross
Switching Configuration	SPST-NO
Load Voltage Range	40 to 280 Vrms
Maximum Rate of Rise Off State Voltage(dv/dt)	500V/uS
Rated Load Current (rms)	40A
UL Incandescent Lamp Ampere Rating	30A
UL Motor Load Rating	14A
Min. Load Current to Maintain On	250mA
Non-Repetitive Surge Current (1 cycle)	625A
Max. RMS Overload Current (1 second)	80A
Max. Off State Leakage Current (rms)	10mA
Typical On State Voltage Drop	1.6Vac
Max. On State Voltage Drop (rms)	1.6Vac
Maximum Turn-On Time	1/2 cycle
Maximum Turn-Off Time	1/2 cycle
Maximum 12T for Fusing (Asquared sec.)	1250
Miscellaneous Characteristics	
Thermal Resistance J to C Tj=155° °C/W	0.9
Suggested Heatsink °C/W	0.2
Dielectric Strength	4000Vrms
Insulation Resistance	10 ¹⁰ ohms
Operating Temperature Range	-40°C to +80°C
Storage Temperature Range	-40°C to +100°C
Weight	100g
LED	Red
Input Terminals	M3.5
Output Terminals	M4
Safety Cover	Yes
Wire Clamp Plates	Yes

ALL RIGHTS RESERVED. NO PORTION OF THIS PUBLICATION, WHETHER IN WHOLE OR IN PART CAN BE REPRODUCED WITHOUT THE EXPRESS WRITTEN CONSENT OF SPC TECHNOLOGY.

SPC-F004.DWG

SIZE

A

DWG. NO.

SPC9671

ELECTRONIC FILE

95B0402.dwg

REV

A

DOC. NO. SPC-F004 * Effective: 7/8/02 * DCP No: 1398

SCALE: NTS

U.O.M.: INCHES [mm]

SHEET: 2 OF 2