

145-349, 177-126, 103-727, 176-990  
 178-191, 178-190, 178-192, 178-189

## Mounting rails

**TS 35 x 7.5**  
Steel

**TS 35 x 7.5**  
Slotted steel

**TS 35 x 7.5**  
Aluminium

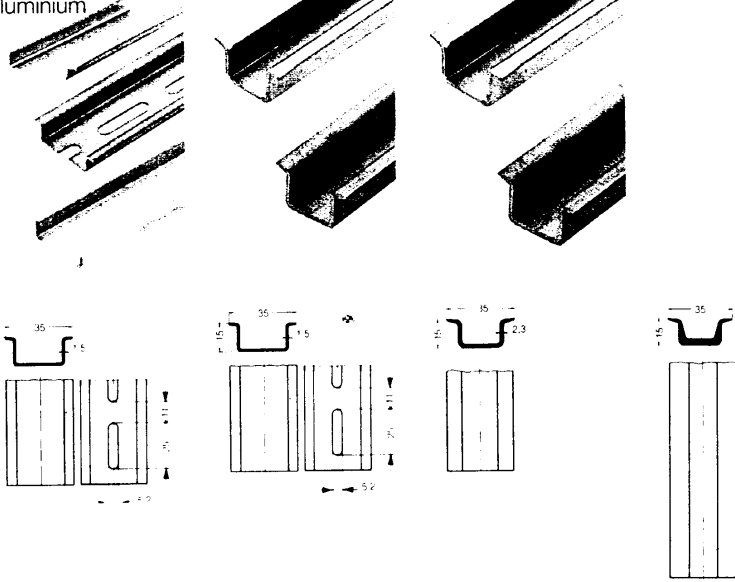
**TS 35 x 15**  
Steel

**TS 35 x 15**  
Slotted steel

**TS 35 x 15/2.3**  
Steel

**TS 35 x 15/2.3**  
Copper

**TSK 35 x 15**  
PVC



The mounting rail can also be used as a protective busbar. Weidmüller PE terminals of the W and SAK series meet the requirements specified in VDE 0611 Part 3. In accordance with VDE 0100 Part 540, at conductor cross-sections of 10 mm<sup>2</sup> and more, protective conductor and neutral conductor can be combined into one line with the symbol OPEN. If mounting rail is used as a PEN busbar, the following criteria must be observed:

- Only an E-Cu profile may be used
- The short-circuit currents and the rated terminal currents must be observed.
- The mounting rails must be insulated for the protective measure, "protective insulation"

Depending on the various applications, the mounting rails are made of steel, aluminium or copper. All steel versions are electroplated and additionally passivated with a yellow chromate coating. For reasons of shipping, 1 m mounting rails are supplied for quantities for up to 10 m.

All non-slotted mounting rails can be provided with fixing holes (please state dimensions b and l<sub>2</sub>). Additionally, all non-slotted steel rails can be supplied with welded steel bolts (please state dimensions a and the desired bolt).

### Ordering data

	Type	Cat.No.	Qty.	Type	Cat.No.	Qty.	Type	Cat.No.	Qty.	Type	Cat.No.	Qty.
Steel, l = 2 m	TS 35 x 7.5	038340	1	TS 35 x 15	023640	1	TS 35 x 15	049800	1			
Steel, l = 1 m	TS 35 x 7.5	03834-100cm	1	TS 35 x 15	02364-100cm	1	TS 35 x 15	04980-100cm	1			
Slotted steel, l = 2 m	TS 35 x 7.5	067620	1	TS 35 x 15	023650	1						
Slotted steel, l = 1 m	TS 35 x 7.5	06762-100cm	1	TS 35 x 15	02365-100cm	1						
Alu	TS 35 x 7.5	033080	1									
Slotted Alu												
Cu							TS 35 x 15	027010	1			
PVC grey										TSK 35 x 15	051430	1

### Technical data

	St	AL	St 2 plated	St	Cu	PVC
Material	St 2 plated	AL bare	St 2 plated	St 2 plated	Cu bare	PVC
Standard	DIN EN 50022	DIN EN 50022	DIN EN 50022	DIN EN 50022	DIN EN 50022	
Short-circuit resistance $\Delta$ E-Cu conductor	16 $\Omega$	35 $\Omega$	25 $\Omega$	50 $\Omega$	150 $\Omega$	
Max. allowable rated current for PEN function					335 A	

### End bracket

	EW 35	038356	50	EW 35	038356	50	EW 35	038356	50	EW 35	038356	50
See page 3/4	WEW 35/1	105900	50	WEW 35/1	105900	50	WEW 35/1	105900	50	WEW 35/1	105900	50
	WEW 35/2	106120	50	WEW 35/2	106120	50	WEW 35/2	106120	50	WEW 35/2	106120	50

For TS 32 slotted rail

### Mounting rail support

	(M 5 thread)	TSTW 5	017810	10	TSTW 5	017810	10	TSTW 5	017810	10	TSTW 5	017810	10
See page 3/5	(M 6 thread)	TSTW 6	016400	10	TSTW 6	016400	10	TSTW 6	016400	10	TSTW 6	016400	10
	(M 6 thread)	TST 2	010170	10	TST 2	010170	10	TST 2	010170	10	TST 2	010170	10

### Fixing screw

	FKSC M 6x12	035350	50	FKSC M 6x12	035350	50	FKSC M 6x12	035350	50	FKSC M 6x12	035350	50
See page 3/5	FKSC M 6x8	064260	50	FKSC M 6x8	064260	50	FKSC M 6x8	064260	50	FKSC M 6x8	064260	50
	FKSC M 5x8	029590	50	FKSC M 5x8	029590	50	FKSC M 5x8	029590	50	FKSC M 5x8	029590	50

### Mounting base

	FM 4	068790	40	FM 4	068790	40	FM 4	068790	40
Steel with M 4 thread	Mounting base	064626	20	Mounting base	064626	20			

With M 3 and M 5 thread (Cream)  
 With M 6 and M 4 thread (grey) or with M 5 and M 3 (black) see page 3/5

### Support block

	SH 2	049492	10	SH 2	049492	10	SH 2	049492	10	SH 2	049492	10
See page 3/15, similar to SH 2 S												

### Locking pin

Locking pin, steel (length as desired)  
 Locking pin, brass (length as desired)

**TS 32**  
Steel  
**TS 32**  
Slotted steel

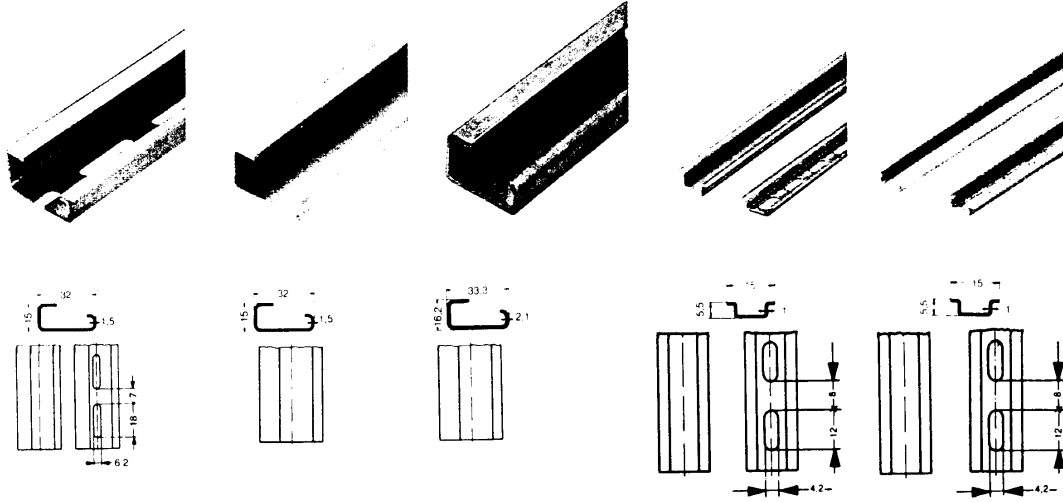
**TS 32**  
Aluminium

**TS 32**  
Copper

**TS 15**  
Steel  
**TS 15**  
Slotted steel

**TS 15**  
Aluminium  
**TS 15**  
Slotted aluminium

**TAS 20**  
**SFNS Nuts**



Type	Cat.No.	Qty.	Type	Cat.No.	Qty.	Type	Cat.No.	Qty.	Type	Cat.No.	Qty.	Type	Cat.No.	Qty.	Type	Cat.No.	Qty.
TS 32	<b>012280</b>	1							TS 15	<b>051420</b>	1				TAS 20	<b>031640</b>	1
TS 32	<b>01228-100cm</b>	1							TS 15	<b>05142-100cm</b>	1				M4 Nut	<b>050000</b>	1
TS 32	<b>067610</b>	1							TS 15	<b>011750</b>	1				M5 Nut	<b>043350</b>	1
TS 32	<b>06761-100cm</b>	1							TS 15	<b>01175-100cm</b>	1						
			TS 32	<b>016930</b>	1							TS 15	<b>013470</b>	1			
						TS 32	<b>036430</b>	1				TS 15	<b>021790</b>	1			
St 2 plated DIN EN 50035			AL bare			Cu. bare			Steel St 2 plated DIN EN 50 045	slotted St 2 plated DIN EN 50045		AL bare					
35 Ω			70 Ω			120 Ω			10 Ω	6 Ω		16 Ω					
			207 A			292 A						82 A					
EWK 1	<b>020616</b>	50	EWK 1	<b>020616</b>	50	EWK 1	<b>020616</b>	50	EW 15	<b>038286</b>	50	EW 15	<b>038286</b>	50			
EWK 2	<b>019936</b>	50	EWK 2	<b>019936</b>	50	EWK 2	<b>019936</b>	50									
EWK	<b>049516</b>	50															
TSTW 5	<b>017810</b>	10	TSTW 5	<b>017810</b>	10	TSTW 5	<b>017810</b>	10									
TSTW 6	<b>016400</b>	10	TSTW 6	<b>016400</b>	10	TSTW 6	<b>016400</b>	10									
TST 2	<b>010170</b>	10	TST 2	<b>010170</b>	10	TST 2	<b>010170</b>	10									
FKSC M 6x12	<b>035350</b>	50	FKSC M 6x12	<b>035350</b>	50	FKSC M 6x12	<b>035350</b>	50	BS M 4x6	<b>013630</b>	100	BS M 4x6	<b>013630</b>	100			
FKSC M 6x8	<b>064260</b>	50	FKSC M 6x8	<b>064260</b>	50	FKSC M 6x8	<b>064260</b>	50	FKSC M 4x6	<b>156748</b>	100						
FKSC M 5x8	<b>029590</b>	50	FKSC M 5x8	<b>029590</b>	50	FKSC M 5x8	<b>029590</b>	50									
MB 3/5	<b>050350</b>	20	MB 3/5	<b>050350</b>	20	MB 3/5	<b>050350</b>	20									
MB 6/4	<b>033490</b>	20	MB 6/4	<b>033490</b>	20	MB 6/4	<b>033490</b>	20									
MB 5/3	<b>055340</b>	20	MB 5/3	<b>055340</b>	20	MB 5/3	<b>055340</b>	20									
SH 2	<b>049492</b>	10	SH 2	<b>049492</b>	10	SH 2	<b>049492</b>	10	SH 1	<b>029986</b>	20	SH 1	<b>029986</b>	20			
SST 3	<b>015270</b>	-	SST 3	<b>015270</b>	-	SST 3	<b>015270</b>	-	SST 1.3	<b>030660</b>	-	SST 1.3	<b>030660</b>	-			
SST 3 Ms	<b>016940</b>	-	SST 3 Ms	<b>016940</b>	-	SST 3 Ms	<b>016940</b>	-	SST 1.3 Ms	<b>030820</b>	-	SST 1.3 Ms	<b>030820</b>	-			