

DO NOT SCALE

DIMENSIONS IN mm

METRIC

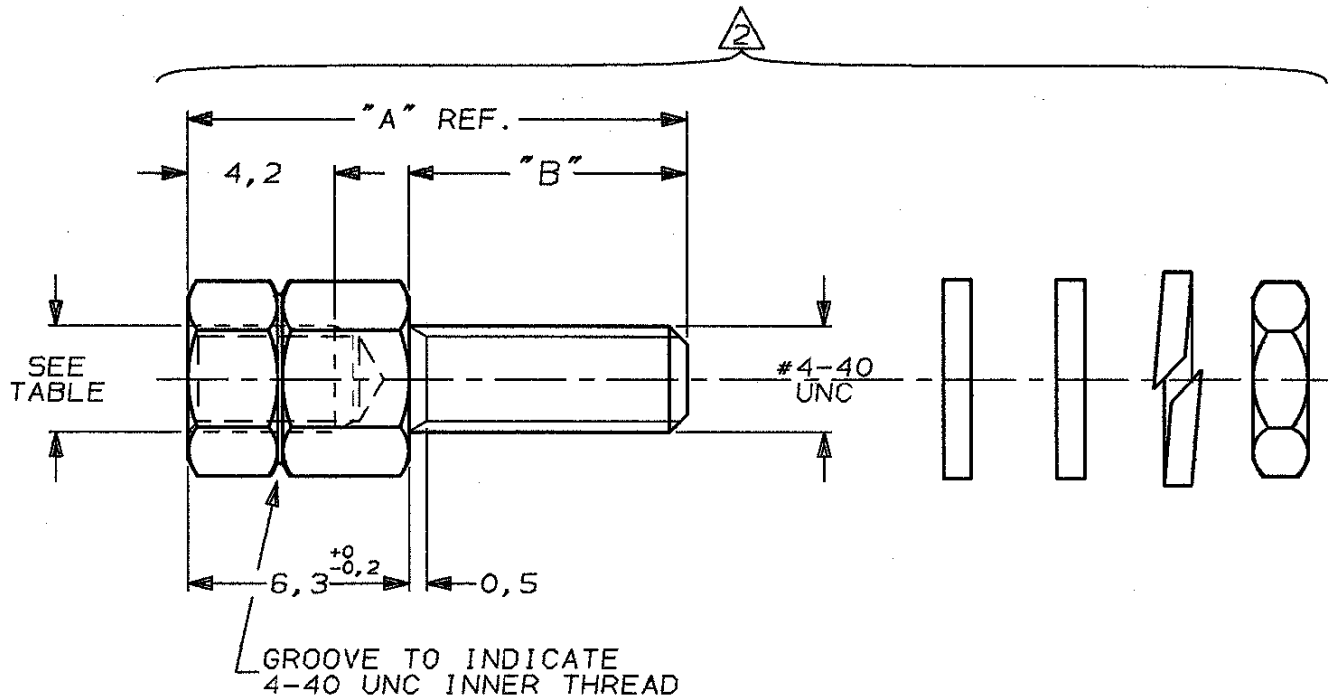
THIRD ANGLE


PROJECTION



NOTES:

- 1 PARTS PACKED UNASSEMBLED
- △ THIS KIT CONTAINS TWO SCREWLOCK ASSEMBLIES.
- △ FEMALE SCREWLOCK : BRASS
NUT AND RINGS : STEEL



M3	11,0	17,2	TINPLATED	BRASS	828347-6
4-40 UNC	11,0	17,2			828347-5
M3	9,7	15,9			828347-4
M3	5,0	11,2			828347-3
4-40 UNC	9,7	15,9			828347-2
4-40 UNC	5,0	11,2			828347-1
THREAD	DIM "B"	DIM "A"	FINISH	MATERIAL	ORDERNUMBER
-	-	-	CUSTOMER DRAWING FOR REFERENCE ONLY WILL NOT BE UPDATED		
-	-	-	© COPYRIGHT 19- BY AMP HOLLAND B.V. ALL INTERNATIONAL RIGHTS RESERVED. AMP PRODUCTS MAY BE COVERED BY U.S. AND FOREIGN AND/OR PATENTS PENDING.		
-	-	-	THIS DRAWING IS UNPUBLISHED RELEASED FOR PUBLICATION		
-	-	-	 AMP HOLLAND B.V. 's-Hertogenbosch, The Netherlands.		
B	H-9720	S.M. C.V.T	NAME AMPLIMITE, KIT, FEMALE SCREWLOCK ASSEMBLY		
LTR.	REVISION RECORD	DR.	CHK.	DATE	
DR. : D.KESSLER.	CHK. : C.v.TILBURG.	APP. : L.v.SOEEST.	DWG.No.	REV.LTR.	SHEET
DATE: 02-04-91	DATE: 23-04-91	DATE: 25-04-91	C-828347	B	1 OF 1 A4