

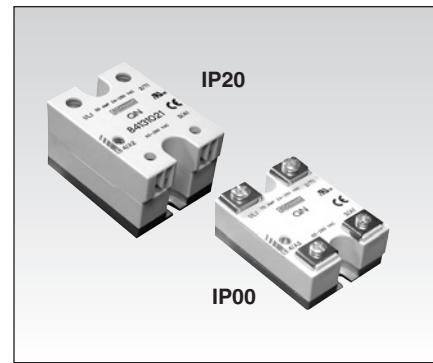
DC Solid State Relays

GF Series; FET output - 10A, 15 A, 30A

- ▶ Very low leakage current (< 10uA)
- ▶ Milliohm On-Resistance Minimizes voltage drop, heat dissipation
- ▶ 1500 VAC Optical Isolation
- ▶ UL/cUL recognized, Tuv approved, CE compliant

GT Series; transistor output 10A

- ▶ Long Life Switching of DC loads
- ▶ 4 kV Optical Isolation
- ▶ UL E46203
- ▶ Available with IP20 "touch-safe" cover



Output Specifications

Output	FET	FET	FET	TRAN
Voltage range VDC	1-200	1-100	1-50	3-60
Off-state leakage mA	0.01	0.01	0.01	1.0
Output Current (Mounted on proper heat sink, see deratings)	10	15	30	10
Minimum Current	0.1	0.1	0.1	10
Max. 1 second surge current	60	120	160	90
Max On-State Voltage Drop or	n/a	n/a	n/a	n/a
On-State Resistance m Ohms	90	90	50	n/a
Rjb (thermal res. Junction to baseplate, °C/W)	4.4	4.6	2.3	4.3
Minimum heat sink @ ambient (for max current = °C/W & Ta)	3.0 @ 25°C	3.0 @ 25°C	1.0 @ 25°C	1.0 @ 65°C

Input Specifications

Input voltage*	3-32Vdc			
Drop out voltage	1Vdc			
Max. input current (mA)	20	20	20	14.5
Min. input current (for on-state) m	12	12	12	9
Input Resistance	Current Regulated			
Max. Turn-on time (mS)	2	2	2	.1
Max. Turn-off time (uS)	50	50	50	200

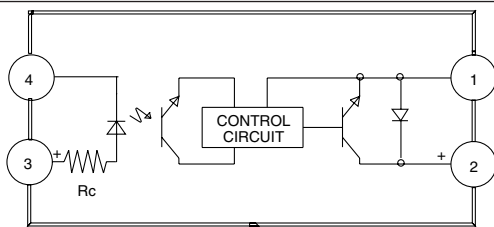
General Characteristics

Operating Temperature (°C)	-20 to +80
Storage Temperature (°C)	-40 to +100
Input to output isolation	4000Vrms
Input/output to ground isolation	2500Vrms
Input to output capacitance	8pF (typical)
Housing Material	UL 94V0 (self extinguishing)

Safety and Noise Immunity Compliance

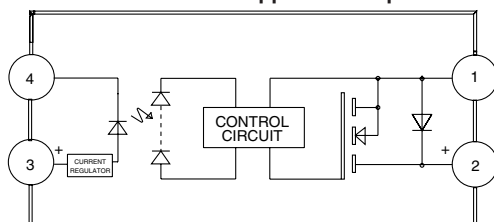
CE Compliant with the LVD 73/23/EEC

TUV EN60950



GT SERIES EQUIVALENT CIRCUIT

DC inductive loads must be diode suppressed to prevent damage to SSR



GF SERIES EQUIVALENT CIRCUIT

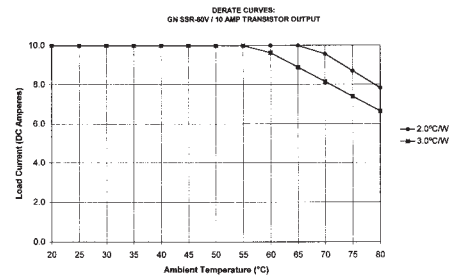
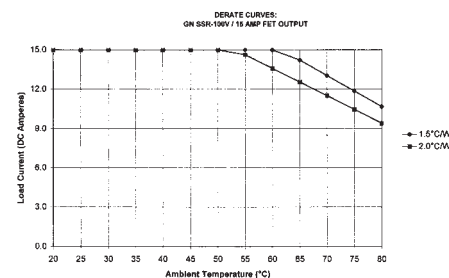
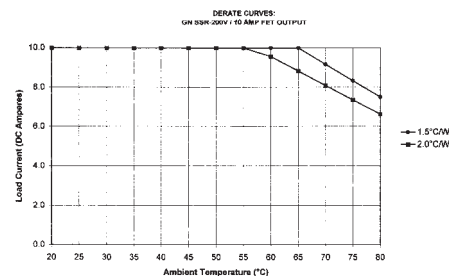
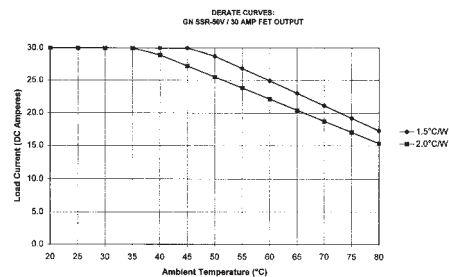
Part Numbers

FET Output

Rating	Output	Input	IP00	IP20
10 Amp	1-200Vdc	3-32Vdc	84 134 850	84 137 850
15 Amp	1-100Vdc	3-32Vdc	84 134 860	84 137 860
30 Amp	1-50Vdc	3-32Vdc	84 134 870	84 137 870

Transistor Output

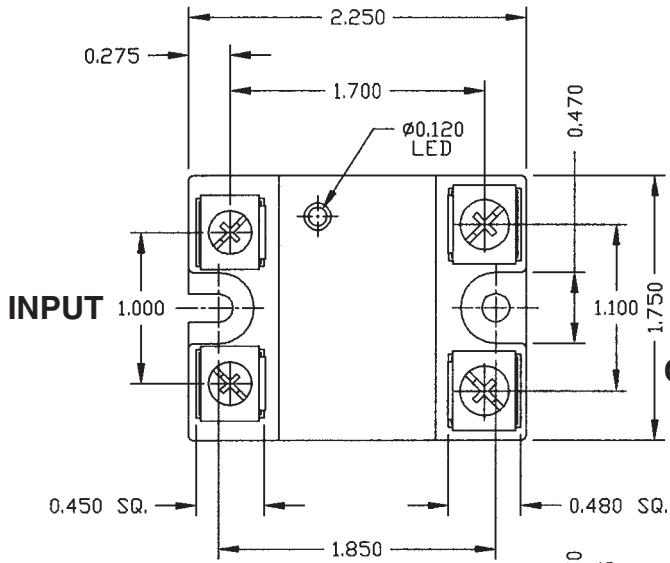
10 Amp	3-60Vdc	3-32Vdc	84 134 750	84 137 750
--------	---------	---------	------------	------------



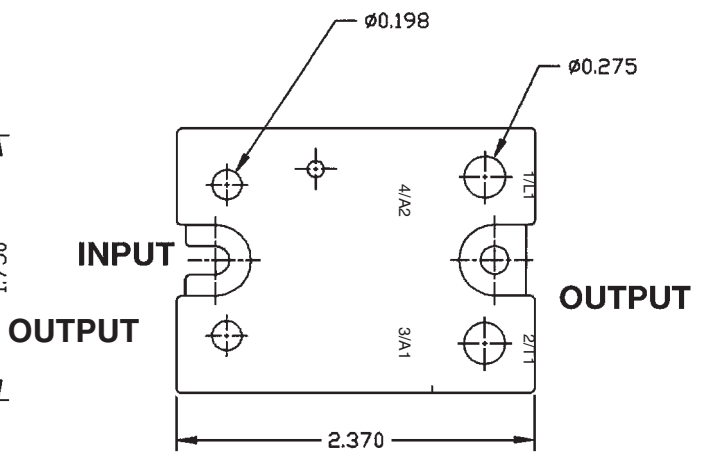
Products and specifications subject to change without notice.

Consult factory for application assistance.

204 Airline Drive, Suite 300, Coppell, Texas 75019 / Tel: (800) 677-5311 / FAX: (800) 677-3865 / www.crouzet-usa.com



IP00



IP20



Products and specifications subject to change without notice.
Consult factory for application assistance.