

HEAQW Solid State Relay



Features

- MOSFET output
- Low, stable on state resistance
- Choice of contacts - 2 form A or 2 form B or combination of IA + IB
- Switch up to 400Vdc or ac
- Load current up to 130mA
- Compact 8-pin DIL package

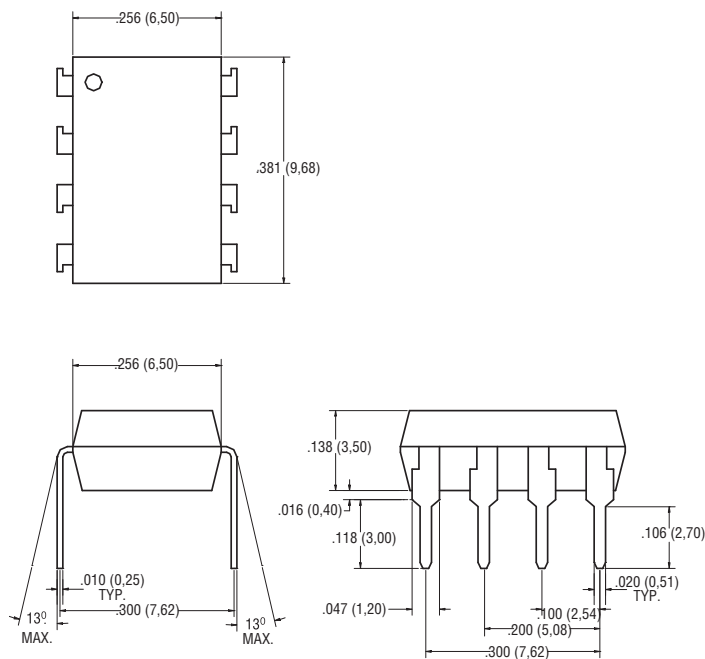
Benefits

- Outputs can be individually switched
- No contact bounce
- Not affected by external magnetic fields
- 3,750Vac input to output isolation
- Transfer moulded package gives maximum component protection
- Long life with no mechanical wear

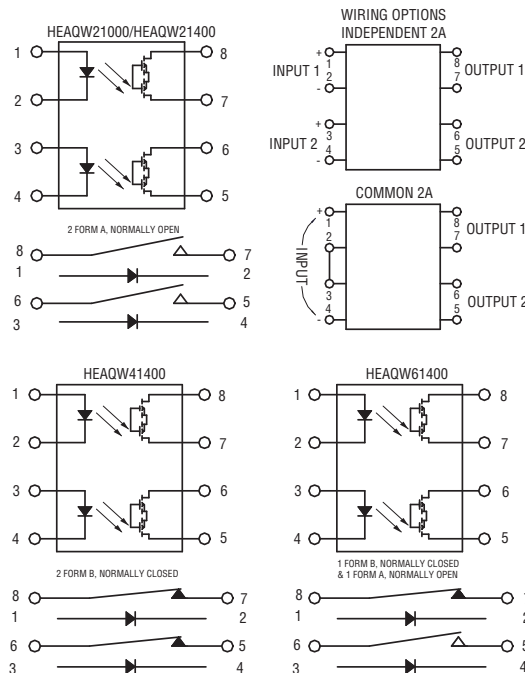
Applications

- Replacement of reed relays
- Telecoms
- Security systems
- Instrumentation
- Process control
- Industrial

DIMENSIONS (in) mm



SCHEMATIC (TOP VIEW)



SPECIFICATIONS

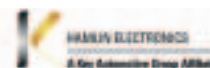
Parameter	Symbol	Unit	HEAQW210	HEAQW214	HEAQW414	HEAQW614	
Input Characteristics (LED) @ 25°C	Forward Voltage (I _F = 10mA)	V _F	Vdc - max		1.5		
	Operate Input Current	I _{FON}	mA - max		5.0		
	Release Input Current	I _{FOFF}	mA - min		0.2		
Output Characteristics @ 25°C	Load Voltage AC/DC	V _B	V - max	350	400	400	400
	Load Current (Note 1)	I _L	mA - max		130		
	On Resistance AC/DC	R _{ON}	Ohms - max	30	30	50	50
	Turn On Time (I _F = 10mA)	T _{ON}	ms - max	1.0	1.0	1.5	1.5
	Turn Off Time (I _F = 10mA)	T _{OFF}	ms - max	1.5	1.5	1.0	1.5
	Output Off-State Leakage	I _T	uA - max	1.0	1.0	2.0	2.0
Isolation	Input/Output Voltage Isolation	I _{TOFF}	V _{RMS} - min	3,750			
Temperature	Operating	T _{OPR}	°C	-30 to +85			
	Storage	T _{STG}	°C	-40 to +125			
	Soldering	T _{SOL}	°C - max	260			

Note 1: Max. load current is de-rated @ 1mA/°C from 25°C to max. temperature 85°C. E.g. at 55°C rating is 30mA less (100mA max).

ORDERING INFORMATION

Series HEAQW	HEAQW	-	21	00	0
	HEAQW	-	21	40	0
	HEAQW	-	41	40	0
	HEAQW	-	61	40	0

DETAILS PROVIDED ON THIS DATA SHEET ARE PROVIDED FOR INFORMATION PURPOSES ONLY AND SHOULD NOT BE RELIED UPON AS BEING ACCURATE FOR ANY PARTICULAR PURPOSE. Product performance may be affected by the application to which the product is put. Upon request, HAMLIN will assist purchasers by providing information specific to any particular application. HAMLIN disclaims any and all liability whatsoever for any purchaser's reliance upon the information contained on this data sheet without further consultation with authorised representatives of HAMLIN.



Hamlin USA Tel: +1 920 648 3000 • Fax: +1 920 648 3001 • Email: sales.us@hamlin.com
 Hamlin UK Tel: +44 (0)1379 649700 • Fax: +44 (0)1379 649702 • Email: sales.uk@hamlin.com
 Hamlin Germany Tel: +49 (0) 6181 953660 • Fax: +49 (0) 6181 953666 • Email: sales.de@hamlin.com
 Hametrol France Tel: +33 (0) 1 4687 0202 • Fax: +33 (0) 1 4686 6786 • Email: sales.fr@hamlin.com

Issue No: I Date: 01/10/04 DCR: B2602