



GUARDIAN Electric Manufacturing

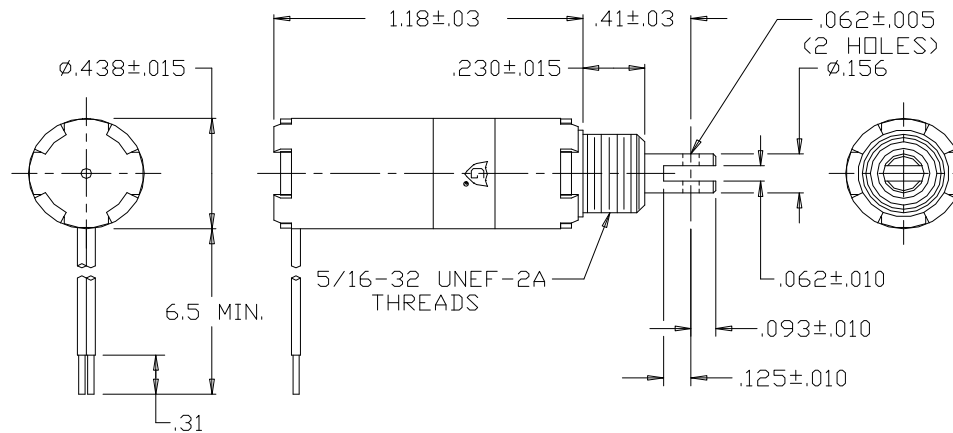
ISO 9001 / AS9100 Certified Company

Woodstock, IL 60098 Ph. (815)334-3600 Fax (815)337-0377

Or visit us at our website www.guardian-electric.com

Model T3.5 X 9

DC Tubular Solenoid



Solenoid shown energized and fully seated.

Supplied with mounting bracket, hex nut and lockwasher (not shown).

Spring kits are available (consult factory).

Total Weight: .61 oz.

Plunger Weight: .11 oz.


| Model No. | Part No. | Duty Cycle | Voltage | Resistance (Ω) | Power (W) | Current (mA) |
|-------------|----------------|--------------|---------|----------------|-----------|--------------|
| T3.5x9-I-12 | A420-062658-06 | Intermittent | 12VDC | 31.1 | 4.9 | 386 |
| T3.5x9-C-12 | A420-062658-05 | Continuous | 12VDC | 60.2 | 2.5 | 199 |
| T3.5x9-I-24 | A420-062658-01 | Intermittent | 24VDC | 122 | 5 | 197 |
| T3.5x9-C-24 | A420-062658-02 | Continuous | 24VDC | 254 | 2.4 | 94 |

When ordering, please refer to Part No., as listed above.

Consult factory for custom configurations.

| Stroke (in.) | Pull Force (oz.) | | | | | | | | Holding Force (oz.) |
|-------------------|------------------|-------|-------|-------|-------|-------|-------|-------|---------------------|
| | 0.050 | 0.125 | 0.250 | 0.375 | 0.500 | 0.625 | 0.750 | 1.000 | |
| Continuous Duty | 3 | 1 | 0.5 | N/A | N/A | N/A | N/A | N/A | 20 |
| Intermittent Duty | 5 | 2 | 1 | N/A | N/A | N/A | N/A | N/A | 21 |

UL Recognition

Recognized under the  Component Recognition Program of **Underwriters Laboratories, Inc.**

Continuous Duty

100% 'On' Time

Intermittent Duty

25% 'On' Time, (100 Seconds 'On' Max. Followed By 300 Seconds 'Off' Min.)

RoHS

These parts comply with **RoHS** Directive 2002/95/EC