



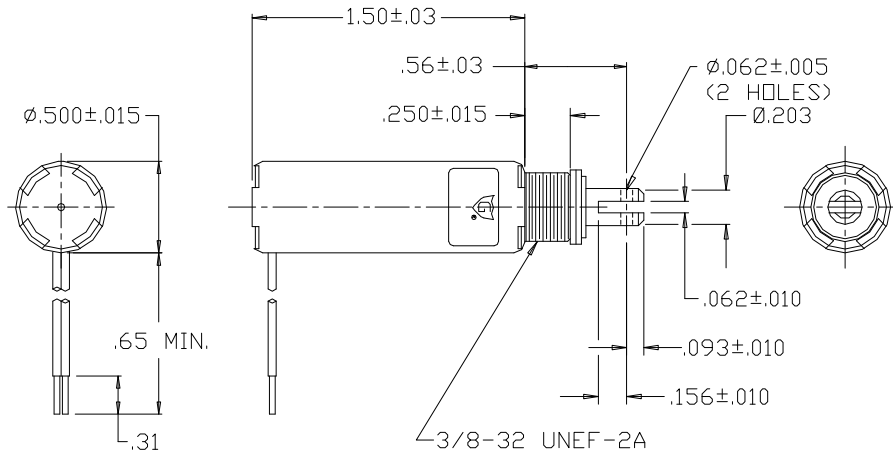
# GUARDIAN Electric Manufacturing

ISO 9001 / AS9100 Certified Company

Woodstock, IL 60098 Ph. (815)334-3600 Fax (815)337-0377

Or visit us at our website [www.guardian-electric.com](http://www.guardian-electric.com)

## Model LT4 x 12 Long-Life DC Tubular Solenoid



Solenoid shown energized and fully seated.

Supplied with mounting bracket, hex nut and lockwasher (not shown).

Spring kits are available (consult factory).

Total Weight: 1.1 oz.

Plunger Weight: .21 oz.


| Model No.   | Part No.       | Duty Cycle   | Voltage | Resistance (Ω) | Power (W) | Current (mA) |
|-------------|----------------|--------------|---------|----------------|-----------|--------------|
| LT4x12-I-12 | A420-064819-00 | Intermittent | 12VDC   | 19.2           | 7.9       | 625          |
| LT4x12-C-12 | A420-064818-00 | Continuous   | 12VDC   | 49.3           | 3.1       | 243          |
| LT4x12-I-24 | A420-064821-00 | Intermittent | 24VDC   | 76.3           | 7.9       | 315          |
| LT4x12-C-24 | A420-064820-00 | Continuous   | 24VDC   | 192            | 3.2       | 125          |

When ordering, please refer to Part No., as listed above.

Consult factory for custom configurations.

| Stroke (in.)      | Pull Force (oz.) |       |       |       |       |       |       |       | Holding Force (oz.) |
|-------------------|------------------|-------|-------|-------|-------|-------|-------|-------|---------------------|
|                   | 0.050            | 0.125 | 0.250 | 0.375 | 0.500 | 0.625 | 0.750 | 1.000 |                     |
| Continuous Duty   | 9                | 3     | 1.5   | 0.5   | N/A   | N/A   | N/A   | N/A   | 10                  |
| Intermittent Duty | 16               | 8     | 3     | 1.5   | N/A   | N/A   | N/A   | N/A   | 18                  |

### UL Recognition

Recognized under the  Component Recognition Program of **Underwriters Laboratories, Inc.**

### Continuous Duty

100% 'On' Time

### Intermittent Duty

25% 'On' Time, (100 Seconds 'On' Max. Followed By 300 Seconds 'Off' Min.)

### RoHS

These parts comply with **RoHS** Directive 2002/95/EC