

# Ledex® C Frame Size C34 — DC Operation

Part Number: C34 -  - M- 33

All catalog products manufactured after April 1, 2006 are RoHS Compliant

Select from performance chart below

## Specifications

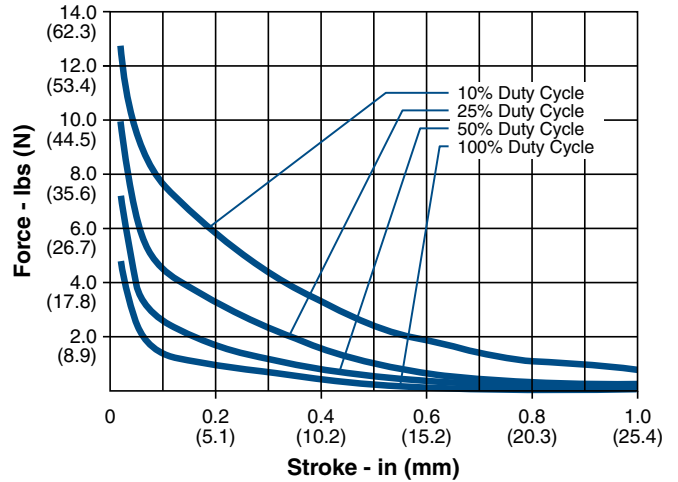
Operation	Pull
Dielectric Strength	1000 VRMS for one second
Continuous Duty Cycle	At 20°C ambient temperature
Intermittent Duty Cycle	See below
Holding Force	6.0 lbs (26.7 N) at 20°C
Coil Insulation	Class "A": 105°C max. temperature standard. Other temperature classes are available
Coil Termination	1/4" QC
Plunger Weight	1.2 oz. (34 g)
Total Weight	6.8 oz. (192.8 g)
Dimensions	See page H48

## Performance

Maximum Duty Cycle	100%	50%	25%	10%
Maximum ON Time (sec) when pulsed continuously	∞	45	20	7
Maximum ON Time (sec) for single pulse	∞	453	160	47
Watts (@ 20°C)	10	20	40	100
Ampere Turns (@ 20°C)	1188	1684	2377	3763

Coil Data						
Part Number	Resistance (@20°C)	Ref # Turns	VDC (Nom)	VDC (Nom)	VDC (Nom)	VDC (Nom)
C34-273-M-33	3.64	632	6	8.5	12	19
C34-272-M-33	14.47	1224	12	17	24	38
C34-271-M-33	57.65	2424	24	34	48	76
C34-270-M-33	229.17	4777	48	68	96	152
C34-269-M-33	1428	11907	120	169	240	378

## Typical Force @ 20°C



## How to Order

Select the part number from the table provided. (For example, to order a 25% duty cycle unit rated at 48 VDC, specify C34-271-M-33.

Please see [www.ledex.com](http://www.ledex.com) (click on Stock Products tab) for our list of stock products available through our North American distributors.

LINEAR Open Frame

## NOTES:

- All data is typical.
- Force testing is done with the solenoid in the horizontal position.
- All data reflects operation with no heatsink.
- Magnetic latching versions available.
- Pull versions standard; push versions available.
- Other coil terminations available.

Force values for reference only.

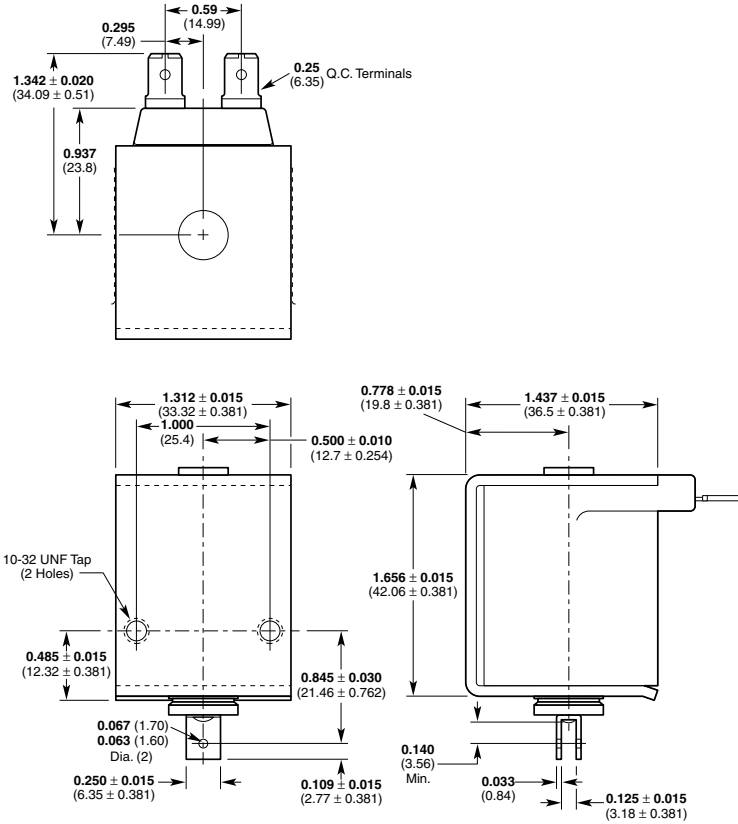
All specifications subject to change without notice.

# Ledex® C Frame Dimensions

Inches (mm)

All solenoids are illustrated in energized state

C34



LINEAR Open Frame