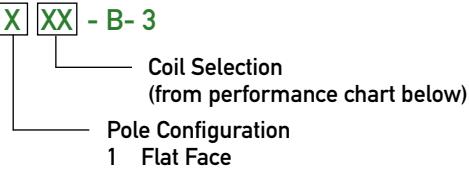



Ledex® Magnetic Latching Box Frame Size B17-L

Part Number: B17 - L - X XX - B- 3



All catalog products manufactured after April 1, 2006 are RoHS Compliant

Well-suited for battery operation.



See the "Battery Operated Solenoids" section for complete information.

Specifications

Operation	Pull
Dielectric Strength	500 VRMS for one second
Unlatch Voltage	See schematic and coil data below
Magnet Hold Force*	10 oz. (with return spring)
Coil Insulation	Class " B": 130°C max. (standard); other temperature classes available
Coil Termination	10" PVC lead wires
Spring Force	16.0 oz/in; 2.4 oz latched position
Plunger Pole Face	Flat face (other options available)
Plunger Weight	0.08 oz. (2.46 g)
Total Weight	0.70 oz. (19.85 g)
Dimensions	See page 114

*In no power, latched position.

Performance

	Unlatched			
	Voltage	50%	25%	10%
Maximum Duty Cycle	n/a	112	36	10.5
Maximum ON Time (sec)	n/a	112	36	10.5
Watts (@ 20°C)	1.6	3.2	6.4	16
Ampere Turns (@ 20°C)	292	414	584	923

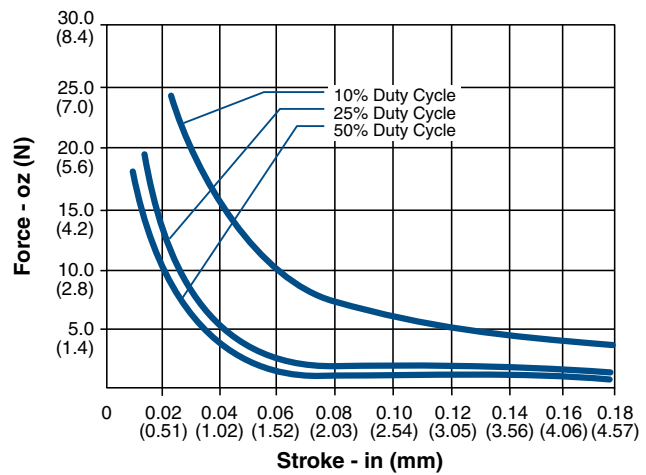
Coil Data

Part Number	Resistance (@20°C)	Ref # Turns	Unlatch VDC	VDC (Nom)	VDC (Nom)	VDC (Nom)
B17-L-158-B-3	5.40	556	3	4	6	9
B17-L-155-B-3	21.93	1112	6	8.5	12	19
B17-L-156-B-3	50.20	1540	9	12	18	28.3
B17-L-154-B-3	88.95	2208	12	17	24	38
B17-L-153-B-3	337.00	3687	24	34	48	76
B17-L-152-B-3	1465.00	9177	48	68	96	153

NOTES:

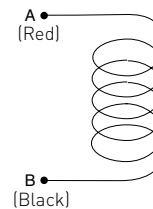
- All data is typical.
- Force testing is done with the solenoid in the horizontal position.
- All data reflects operation with no heatsink.

Typical Force @ 20°C (Net, with Spring)



Coil Polarity

Latch: A+ B-
Unlatch: A- B+



How to Order

Select the part number from the table provided. (For example, to order a 25% duty cycle unit rated at 48 VDC, specify B17-L-153-B-5.

Please see www.ledex.com (click on Stock Products tab) for our list of stock products available through our North American distributors.

Force values for reference only.

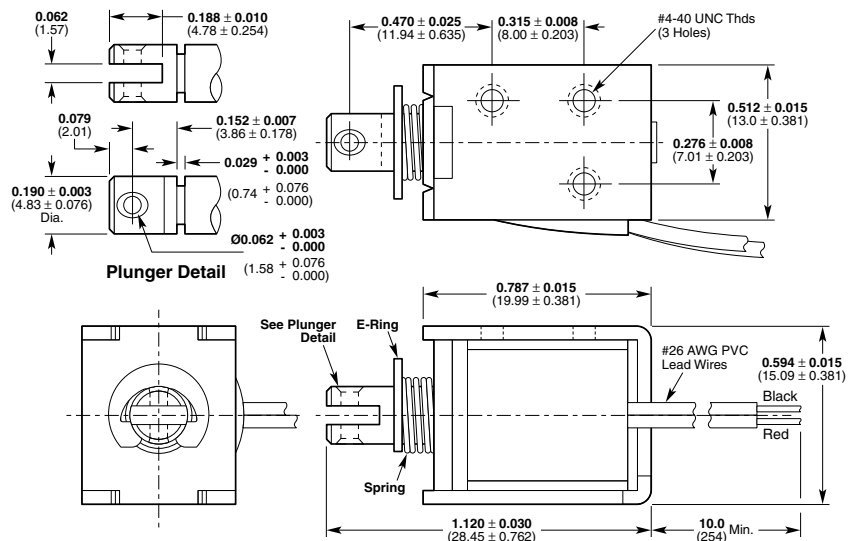
All specifications subject to change without notice.

LINEAR Magnet Latch

Ledex® Box Frame Magnetic Latching Dimensions

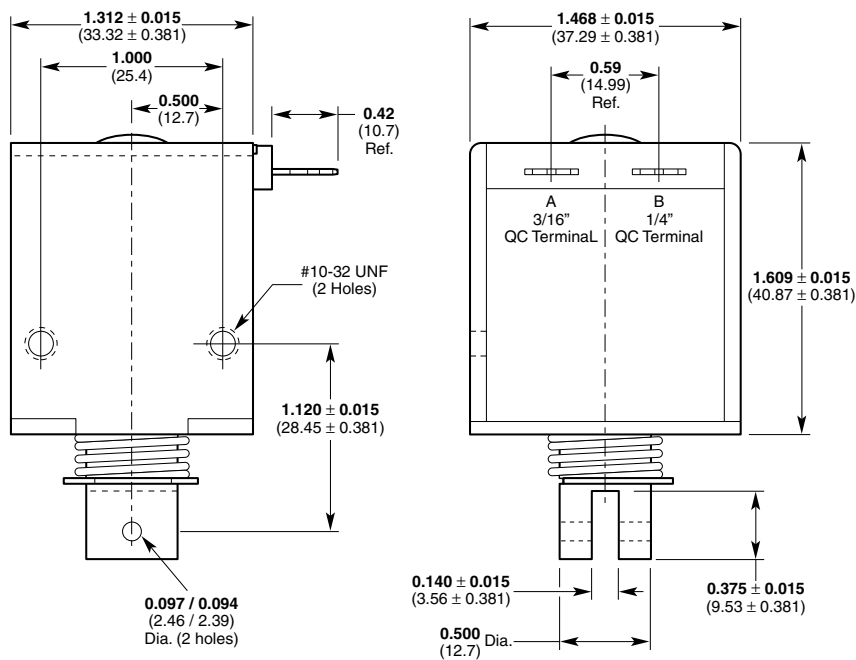
Inches (mm)

B17-L



B22-L

LINEAR Magnet Latch



All solenoids are illustrated in energized state

All specifications subject to change without notice.