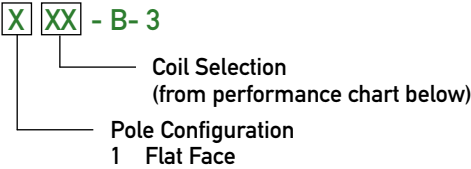


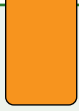
Ledex[®] Magnetic Latching Box Frame Size B16-L

Part Number: B16 - L - X XX - B-3



All catalog products manufactured after April 1, 2006 are RoHS Compliant

Well-suited for battery operation.



See the "Battery Operated Solenoids" section for complete information.

Specifications

Operation	Pull
Dielectric Strength	500 VRMS for one second
Unlatch Voltage	See schematic and coil data below
Magnet Hold Force*	6.5 oz. (with return spring)
Coil Insulation	Class " B": 130°C max. (standard); other temperature classes available
Coil Termination	10" PVC lead wires
Spring Force	5.44 oz/in; 1.1 oz latched position
Plunger Pole Face	Flat face (other options available)
Plunger Weight	0.08 oz. (2.46 g)
Total Weight	0.35 oz. (10.12 g)
Dimensions	See page I 13

*In no power, latched position.

Performance

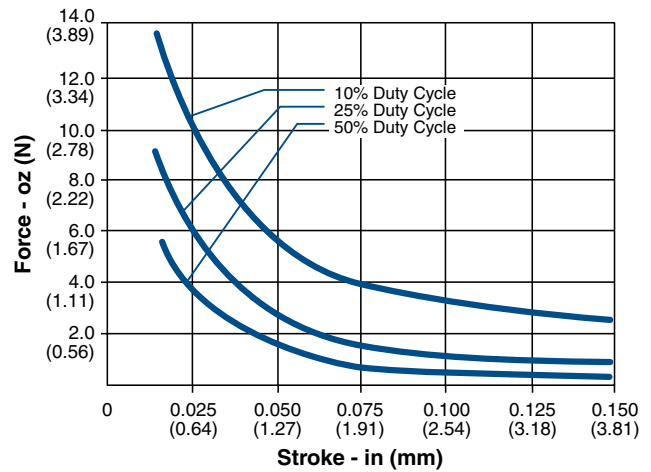
Maximum Duty Cycle	Unlatched			
	Voltage	50%	25%	10%
Maximum ON Time (sec)	n/a	253	78	19
Watts (@ 20°C)	1.43	2.86	5.72	14.3
Ampere Turns (@ 20°C)	270	383	575	855

Coil Data						
Part Number	Resistance (@20°C)	Ref # Turns	Unlatch VDC	VDC (Nom)	VDC (Nom)	VDC (Nom)
B16-L-158-B-3	6.35	618	3	4.3	6	9.5
B16-L-155-B-3	22.27	1100	6	8.5	12	19
B16-L-156-B-3	54.20	1644	9	12.5	17.6	27.8
B16-L-154-B-3	98.85	2034	12	17	24	38
B16-L-153-B-3	386.91	3944	24	34	48	76
B16-L-152-B-3	1630.00	9827	48	68	96	153

NOTES:

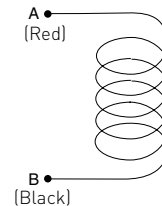
- All data is typical.
- Force testing is done with the solenoid in the horizontal position.
- All data reflects operation with no heatsink.

Typical Force @ 20°C (Net, with Spring)



Coil Polarity

Latch: A+ B-
Unlatch: A- B+



How to Order

Select the part number from the table provided. (For example, to order a 25% duty cycle unit rated at 48 VDC, specify B16-L-153-B-3.

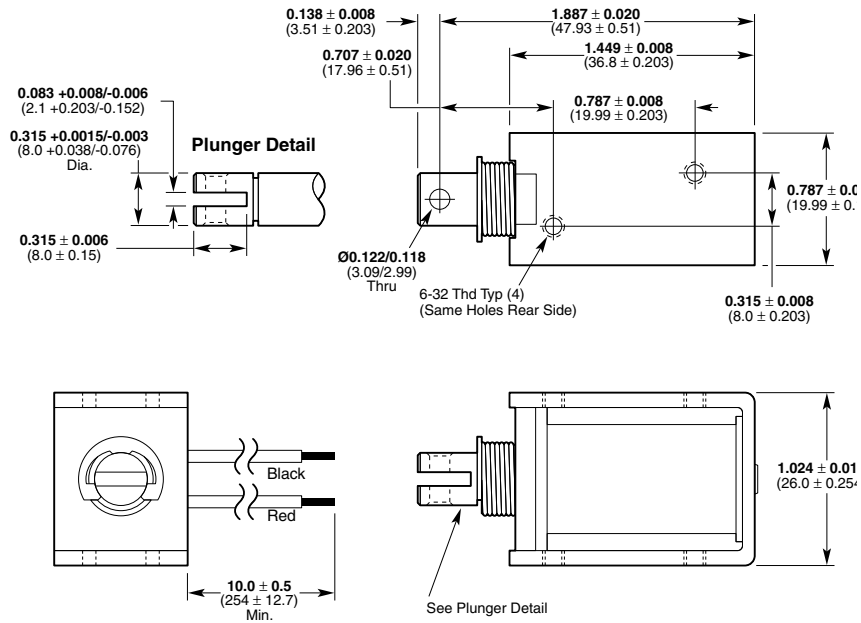
Please see www.ledex.com (click on Stock Products tab) for our list of stock products available through our North American distributors.

LINEAR Magnet Latch

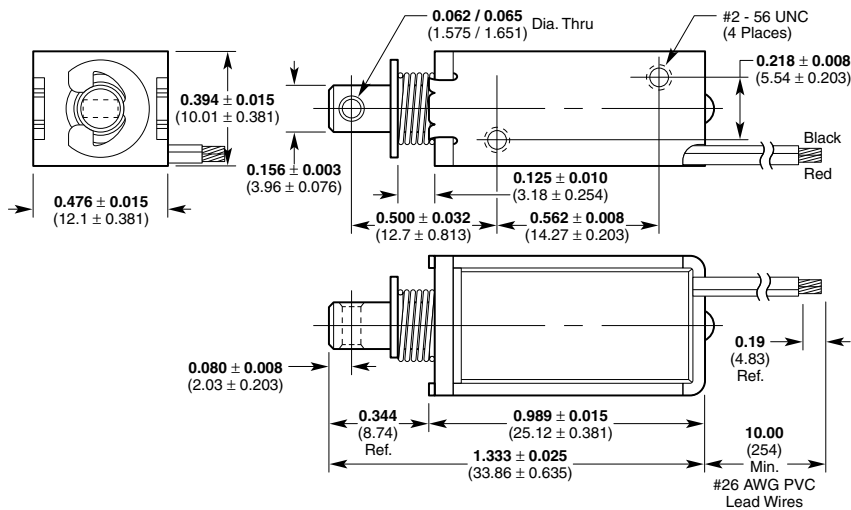
Ledex® Box Frame Magnetic Latching Dimensions

Inches (mm)

B14-L



B16-L



LINEAR Magnet Latch

All solenoids are illustrated in energized state

All specifications subject to change without notice.