



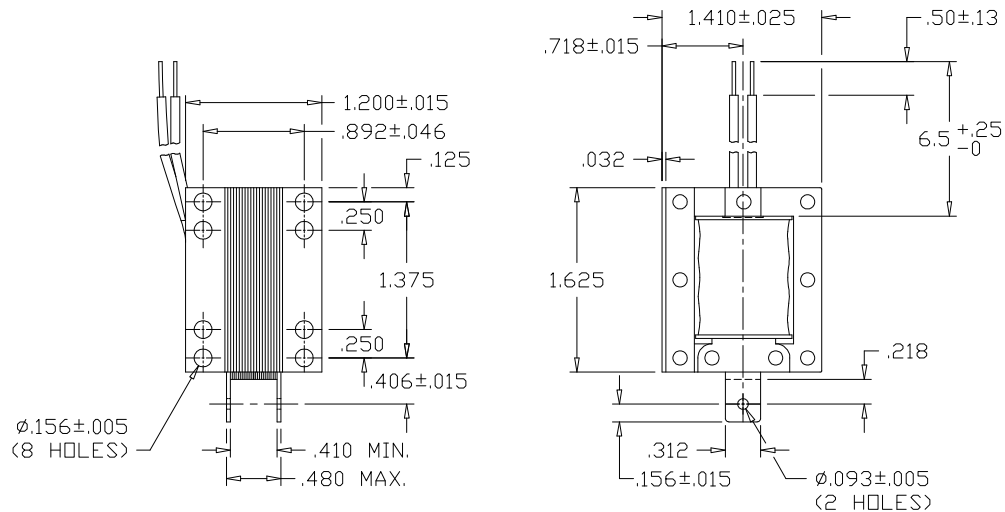
GUARDIAN Electric Manufacturing

ISO 9001 / AS9100 Certified Company

Woodstock, IL 60098 Ph. (815)334-3600 Fax (815)337-0377

Or visit us at our website www.guardian-electric.com

Model 12 Laminated AC Frame Solenoid



Solenoid shown energized and fully seated.

Total Weight: 5.5 oz.

Plunger Weight: 1.0 oz.


Model No.	Part No.	Duty Cycle	Volts	Res. (Ω)	Power (VA)	Current, Seated (mA)
12-I-120A	A421-062507-11	*Intermittent	120	100	33	275
12-C-120A	A421-062507-12	Continuous	120	150	22	183
12-I-240A	A421-062507-13	*Intermittent	240	400	33	138
12-C-240A	A421-062507-14	Continuous	240	600	22	92

When ordering, please refer to Part No., as listed above.

Consult factory for custom configurations.

Stroke (in.)	Pull Force (oz.)							Holding Force (oz.)
	0.125	0.250	0.375	0.500	0.625	0.750	1.000	-
Continuous Duty	30	21	17	16	15	12	5	25
*Intermittent Duty	48	32	28	24	20	17	8	35

UL Recognition

Recognized under the  Component Recognition Program of **Underwriters Laboratories, Inc.**

Continuous Duty

100% 'On' Time

*Intermittent Duty

20% 'On' Time, (180 Seconds 'On' Max. Followed By 720 Seconds 'Off' Min.)

RoHS

These parts comply with **RoHS** Directive 2002/95/EC