

SMO
SMOO
MINIATURE
HIGH SPEED

Miniature solenoids for light high speed pull or thrust applications. Simple, single hole fixing. Particularly suitable for intermittent duty, where loads can be significantly increased.

SMOO

Short stroke for use in confined spaces at up to 2000 cycles/minute. Coil voltages from 3V to 50V d.c. continuous, or higher for intermittent duty with significantly increased pull/thrust (see Performance Data).

Technical Data

Standard Voltage
12, 24, 50V d.c. continuous rating.

Mass 38g

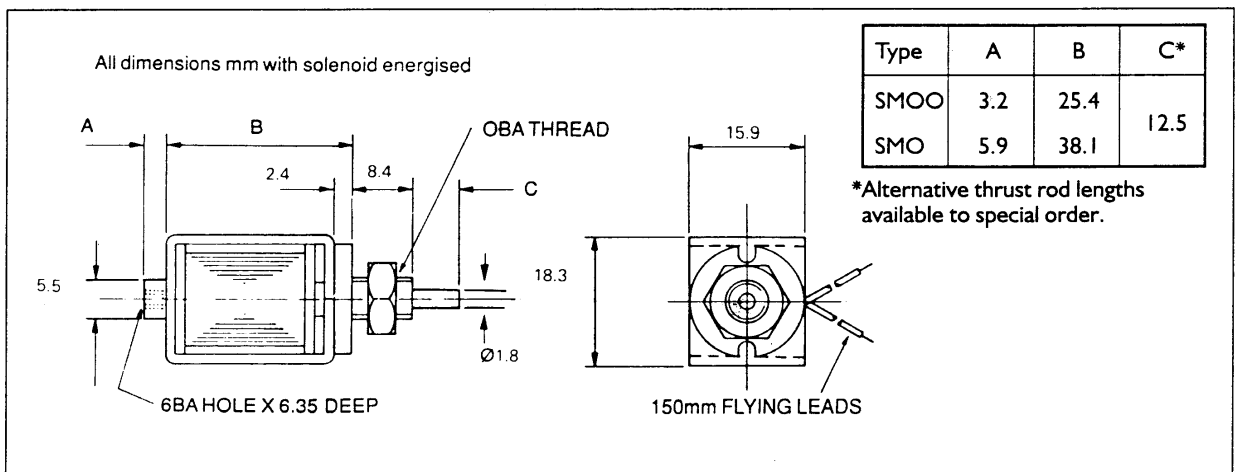
SMO

Longer stroke than SMOO. Coil voltages from 3V to 125V d.c. May also be used on a.c. but should be restricted to very light loads with plunger seated to avoid slight noise.

Technical Data

Standard Voltages
48, 110, 240V a.c. 50Hz continuous rating.
6, 12, 14, 50V d.c. continuous ratings.

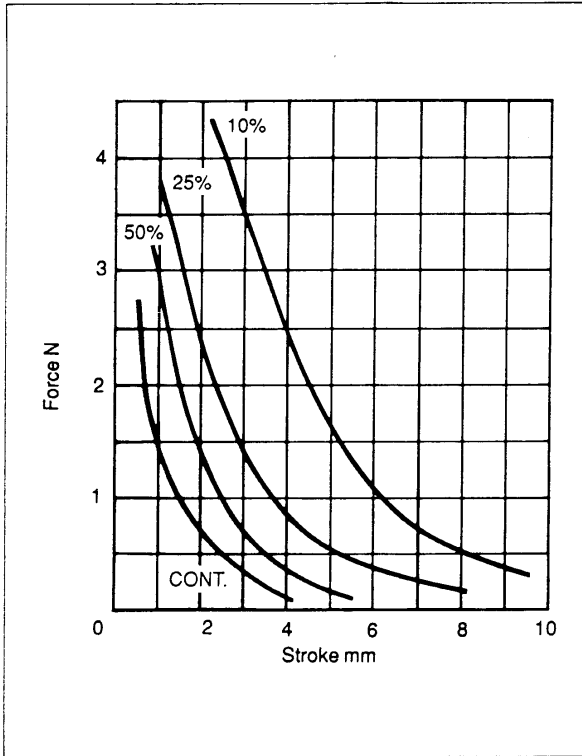
Mass 53g



Performance Data

SMOO

D.C. characteristics for horizontal operation at working temperature.



Nominal D.C. Power Consumption (cold)

Rating*	Watts
100%	2.75
50%	5.5
25%	11
10%	27.5

*Note – duty cycle must ensure that heating is not excessive during on time

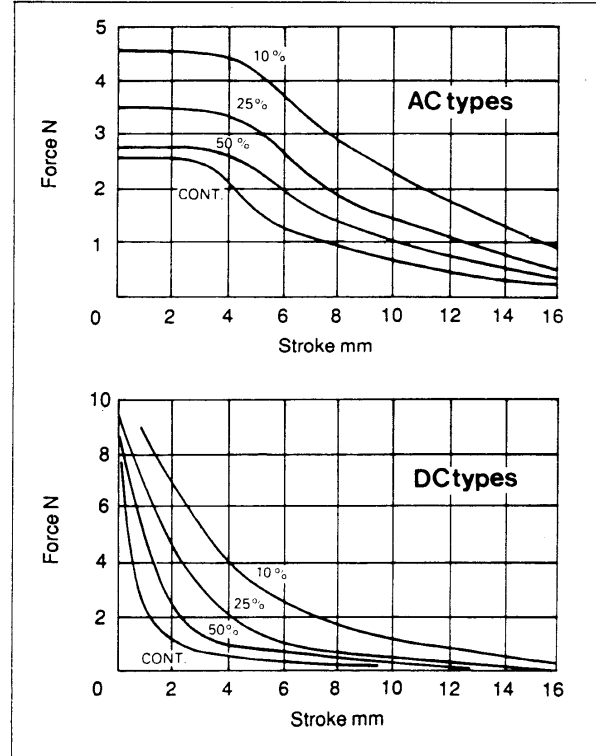
How to Order

Please specify:

1. Type SMOO or SMO
2. Non-standard thrust rod projection if required.
3. Voltage, d.c. or frequency
4. Rating e.g. 50%
5. Special requirements e.g. coil treatment.

SMO

Characteristics for horizontal operation at working temperature.



Nominal Power Consumption (cold)

Rating	AC		DC
	V.A. closed	V.A. at 12.7mm stroke	Watts
100%	6	13	3
50%	11	17	6
25%	18	25	12
10%	41	50	30

Technical Advice

Our Keyswitch Applications Engineers will be pleased to assist in selecting the most suitable solenoid for your application.



Signature Industries Limited

Tom Cribb Road Thamesmead
London SE28 0BH
Tel 081 316 4477/081 317 1717
Fax 081 854 5149 Telex 896299

Incorporating
BURNDIPT KEYSWITCH C&S ALARMS SIGNATURE TCS