

Solenoids

Series 42 Small, high force/stroke ratio solenoid



GENERAL DESCRIPTION

AC & DC types

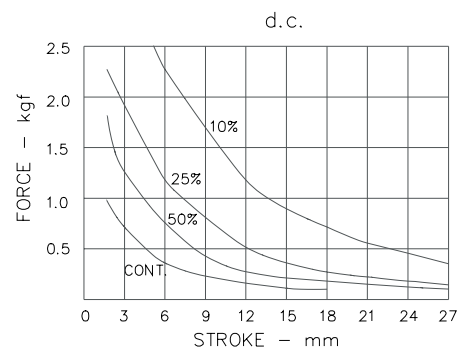
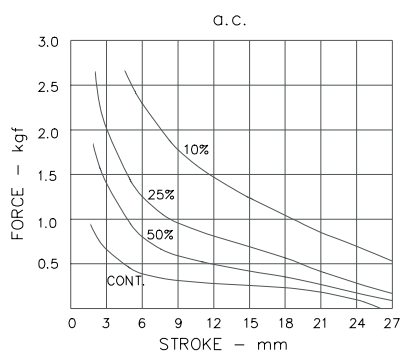
Pull & thrust versions

Shading ring for quiet AC operation

PERFORMANCE

	Item	Specification
ELECTRICAL	Maximum Overtime	See table below
	Closed power (continuous rating)	AC: 15VA DC: 10W
	Maximum permissible voltage	240V
	Insulation	All coils tested to frame at 1500V RMS 50Hz
MECHANICAL	Weight	213g Plunger: 42.5g
	Ambient temperature Force/Stroke curve	The information given on this page is based on room temperature of 20 C allowing for a nominal 75 C temperature rise in coil. These force curves show average performance only. In addition to normal manufacturing tolerances, deviations can be expected at some voltages due to the coil winding tolerances.

FORCE/STROKE CURVES & ON TIME

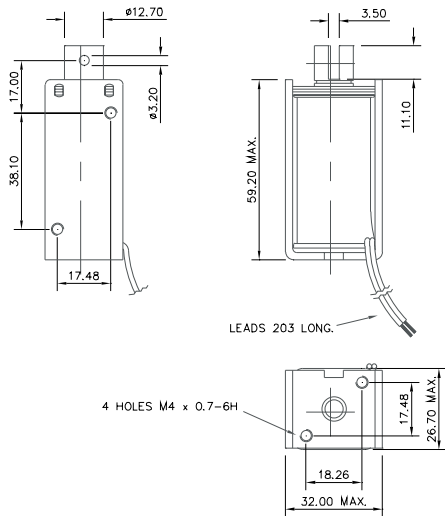


MAXIMUM ON TIME

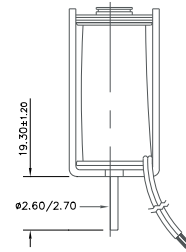
	10%		25%		50%	
	1 cycle	Cont. cycle	1 cycle	Cont cycling	1 cycle	Cont. cycling
AC	55 sec	40 sec	3 min	2 min	10 min	7 min
DC	50 sec	30 sec	2 min	1.25 min	5.75 min	4 min

DIMENSIONS (mm)

PULL TYPE - SHOWN ENERGISED



PUSH TYPE - SHOWN ENERGISED



CODING

4		2		1 2 0			X X X			X X 2		
AC				1								
DC				6								
Pull						1						
Push						2						
STANDARD								0				
With Push Off Spring								1				
				Cont.		50%		25%		10%		
COIL	24V AC 50 Hz			01			02	03		04		
	50V AC 50Hz			08			09	10		11		
	115V AC 50Hz			15			16	17		18		
	220V AC 50Hz			23			24	25		26		
	230V AC 50Hz			39			40	41		42		
	115V AC 60Hz			19			20	21		22		
	220V AC 60Hz			27			28	29		30		
	230V AC 60Hz			43			44	45		46		
	6V DC			54			55	56		57		
	9V DC			58			59	59		60		
	12V DC			62			63	64		65		
	24V DC			72			73	74		75		
	28V DC			76			77	78		79		
	36V DC			80			81	82		83		
50V DC			84			85	86		87			
115V DC			88			89	90		91			
220V DC			92			93	93		94			
240V DC			96			97	98		99			
Standard Leads										0		
Faston Tags										3		



BLP products are designed, manufactured and tested to ISO 9001 quality standards.
BLP Reserve the right to change without prior notice the information contained in this leaflet.

BLP Components Ltd., Exning Rd, Newmarket, Suffolk CB8 0AX, England
Tel: +44 (0)1638 665161 Fax: +44 (0)1638 660718 Email: sales@blpcomp.com Website: <http://www.blpcomp.com>