



Series 120 Tubular Solenoid



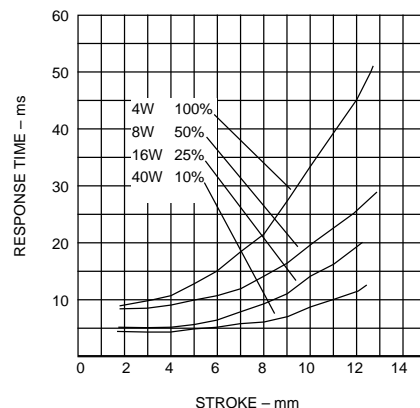
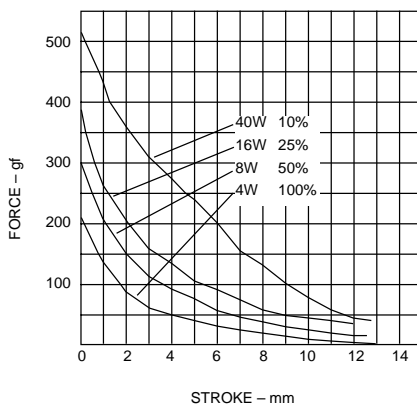
GENERAL DESCRIPTION

- DC operated
- Noise reduction feature
- Tubular solenoid

PERFORMANCE

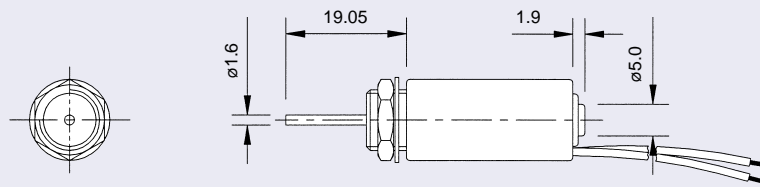
	ITEM	SPECIFICATION
Electrical	Closed power (continuous ratings)	4.0W
	Maximum permissible voltage	160V DC
	Dielectric strength	1KV RMS 50Hz
	Insulation	1KV
Mechanical	Weight	Total: 23g Plunger: 4.9g
	Ambient temperature	The information given on this page is based on a working temperature of 20°C.
	Force/stroke curve	This force stroke curve shows average performance only with coil at ambient temperature. In addition to normal manufacturing tolerances, deviations can be expected at some voltages due to the coil winding tolerances.

FORCE/STROKE CURVE AND RESPONSE TIME



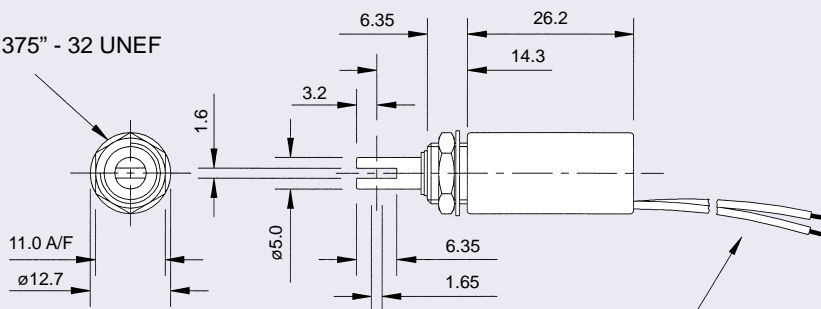
DIMENSIONS (mm)

Push type - shown energised



Pull type - shown energised

Thread: 0.375" - 32 UNEF



Leads: 26 AWG UL1007
Length: 152.0 minimum

COIL DATA

Pull Type	Push Type	Resistance (20°C) Ω ±10%	Cont. (100%) Vdc	50% Vdc	25% Vdc	10% Vdc
120 420 610 540	120 420 620 540	9	6	8.5	12	19
120 420 610 620	120 420 620 620	36	12	17	24	38
120 420 610 720	120 420 620 720	144	24	34	48	76
Watts at 20°C			4	8	16	40
Max. on time (Secs)			∞	50	5	2

Other voltages available on request

$$\text{Duty cycle (\%)} = \frac{\text{"ON" time}}{\text{"ON" time} + \text{"OFF" time}} \times 100\%$$



BLP products are designed, manufactured and tested to ISO 9001 quality standards.
BLP reserve the right to change without prior notice the information contained in this leaflet.

BLP, Exning Road, Newmarket, Suffolk CB8 0AX, England

Tel: +44 (0)1638 665161 Fax: +44 (0)1638 660718 e.mail: sales@blpcomp.com web site: www.blpcomp.com

a Roxboro Group company