

# Ledex® Box Frame Size B4HD — DC Operation

Part Number: B4HD - **XXX** - M-36

All catalog products manufactured after April 1, 2006 are RoHS Compliant

Select from performance chart below

## Specifications

Operation	Pull
Dielectric Strength	1500 VRMS for one second
Continuous Duty Cycle	100% at 20°C ambient temperature
Intermittent Duty Cycle	See below
Holding Force	11.7 lbs (52 N) at 20°C
Coil Insulation	Class "A": 105°C max. temperature standard. Other temperature classes are available
Coil Termination	3/16" QC
Plunger Weight	2.4 oz. (66.6 g)
Total Weight	13.5 oz. (382.7 g)
Dimensions	See page H34

## Performance

Maximum Duty Cycle	100%	50%	25%	10%
Maximum ON Time (sec) when pulsed continuously	∞	83	34	13
Maximum ON Time (sec) for single pulse	∞	609	207	66
Watts (@ 20°C)	12.5	25	50	125
Ampere Turns (@ 20°C)	1536	2174	3073	4860

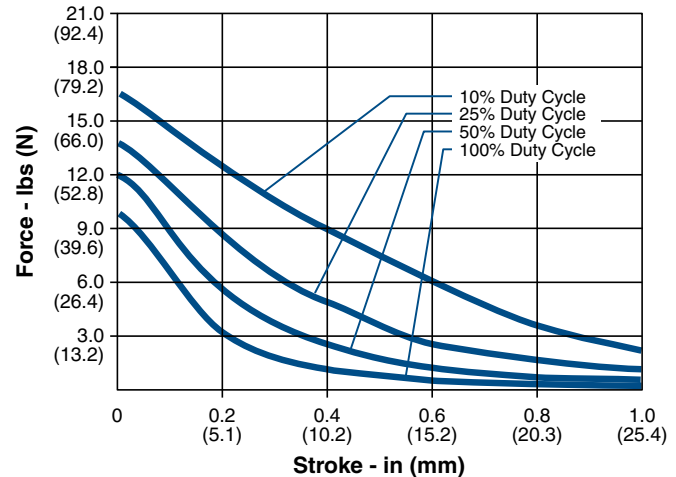
## Coil Data

Part Number	Resistance (@20°C)	Ref # Turns	VDC (Nom)	VDC (Nom)	VDC (Nom)	VDC (Nom)
B4HD-255-M-36	2.94	754	6	8.5	12	19
B4HD-254-M-36	11.42	1467	12	17	24	38
B4HD-253-M-36	46.83	2964	24	34	48	76
B4HD-252-M-36	181	5724	48	68	96	152
B4HD-251-M-36	1157	14239	120	170	240	380

## NOTES:

- All data is typical.
- Force testing is done with the solenoid in the horizontal position.
- All data reflects operation with no heatsink.
- Magnetic latching versions available. Pull versions standard; push versions available.
- Other coil terminations available.

## Typical Force @ 20°C



## How to Order

Select the part number from the table provided. (For example, to order a 25% duty cycle unit rated at 48 VDC, specify B4HD-253-M-36.

Please see [www.ledex.com](http://www.ledex.com) (click on Stock Products tab) for our list of stock products available through our North American distributors.

LINEAR Open Frame

Force values for reference only.

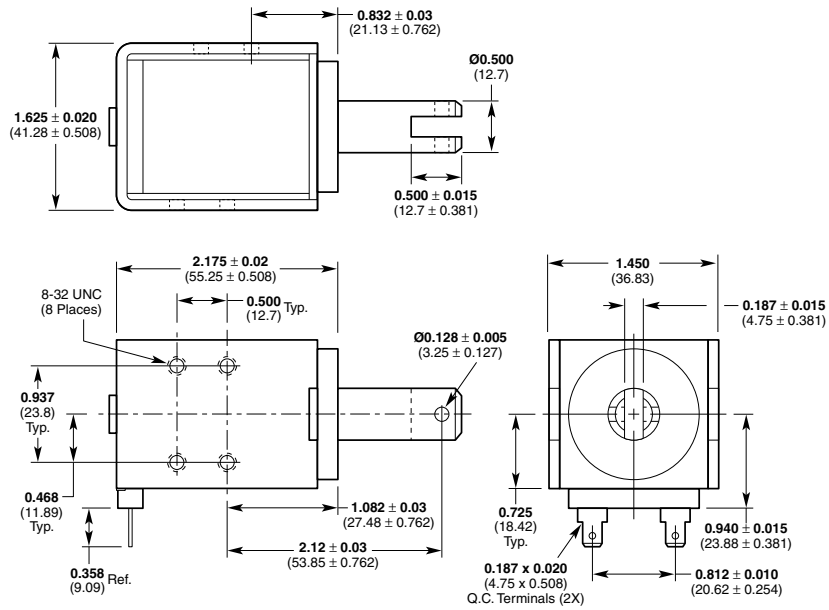
All specifications subject to change without notice.

# Ledex® Box Frame Dimensions

Inches (mm)

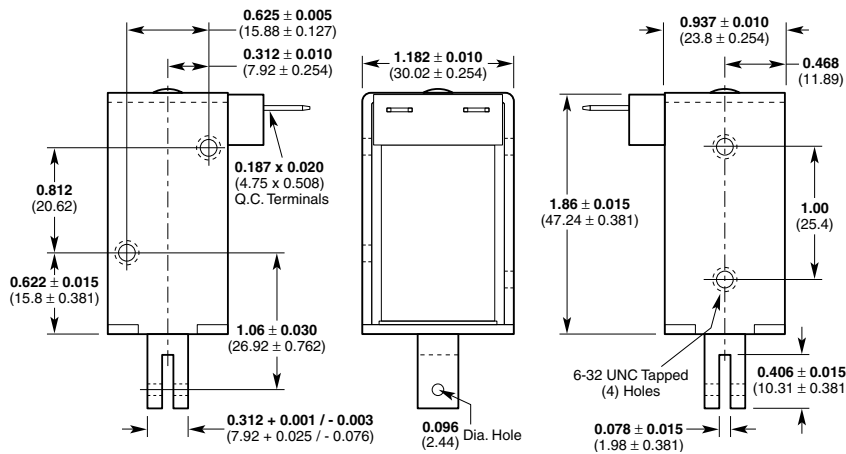
All solenoids are illustrated in energized state

## B4HD



## B11

LINEAR Open Frame



All specifications subject to change without notice.