

# Ledex® Box Frame Size B17 — DC Operation

Part Number: B17 - **XXX** - A- 1

All catalog products manufactured after April 1, 2006 are RoHS Compliant

Select from performance chart below

## Specifications

Operation	Pull
Dielectric Strength	500 VRMS for one second
Continuous Duty Cycle	100% at 20°C ambient temperature
Intermittent Duty Cycle	See below
Holding Force	14.04 oz. (3.9 N) at 20°C
Coil Insulation	Class " B": 130°C max.
Coil Termination	10" PVC lead wires
Plunger Weight	0.1 oz. (2.84 g)
Total Weight	0.65 oz. (18.4 g)
Dimensions	See page H38

- Well-suited for battery operation.



See the "Battery Operated Solenoids" section for complete information.

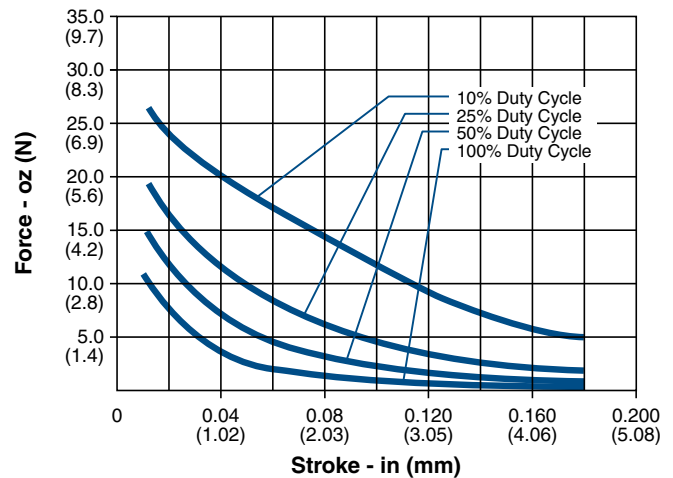
## Performance

Maximum Duty Cycle	100%	50%	25%	10%
Maximum ON Time (sec) when pulsed continuously	∞	15	6	2
Maximum ON Time (sec) for single pulse	∞	112	36	10.5
Watts (@ 20°C)	1.6	3.2	6.4	16
Ampere Turns (@ 20°C)	292	414	584	923

### Coil Data

Part Number	Resistance (@20°C)	Ref # Turns	VDC (Nom)	VDC (Nom)	VDC (Nom)	VDC (Nom)
B17-258-A-1	5.40	556	3	4	6	9
B17-255-A-1	21.93	1112	6	8.5	12	19
B17-256-A-1	50.2	1540	9	12	18	28.3
B17-254-A-1	88.95	2208	12	17	24	38
B17-253-A-1	337	3687	24	34	48	76
B17-252-A-1	1465	9177	48	68	96	153

## Typical Force @ 20°C



## How to Order

Select the part number from the table provided. (For example, to order a 25% duty cycle unit rated at 48 VDC, specify B17-253-A-1.

Please see [www.ledex.com](http://www.ledex.com) (click on Stock Products tab) for our list of stock products available through our North American distributors.

### NOTES:

- All data is typical.
- Force testing is done with the solenoid in the horizontal position.
- All data reflects operation with no heatsink.
- Pull versions standard; push versions available.

Force values for reference only.

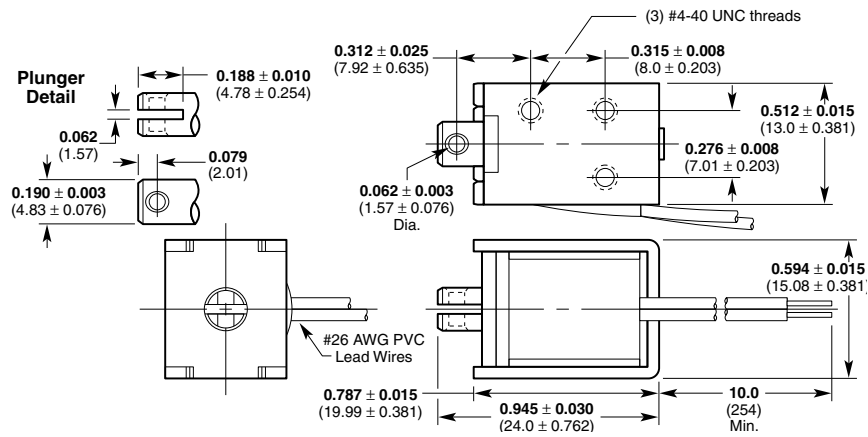
All specifications subject to change without notice.

# Ledex® Box Frame Dimensions

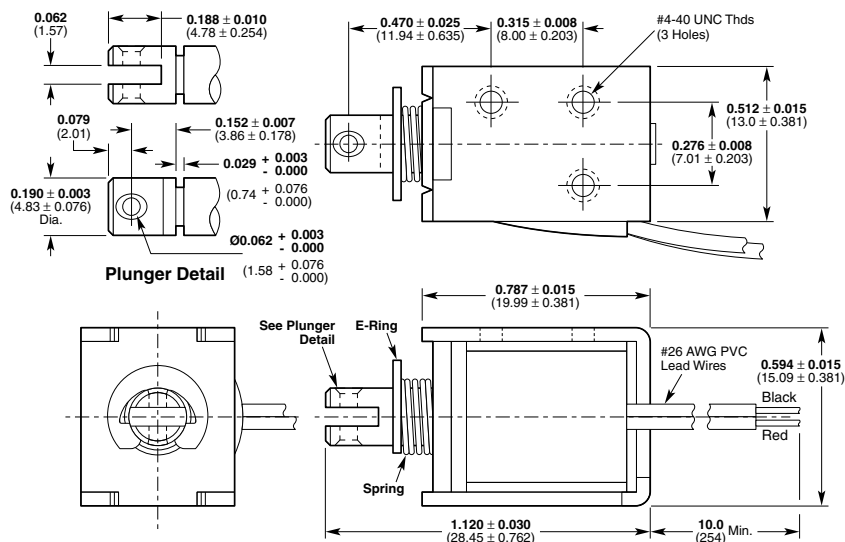
Inches (mm)

All solenoids are illustrated in energized state

B17



B17-L



LINEAR Open Frame

All specifications subject to change without notice.