



GUARDIAN Electric Manufacturing

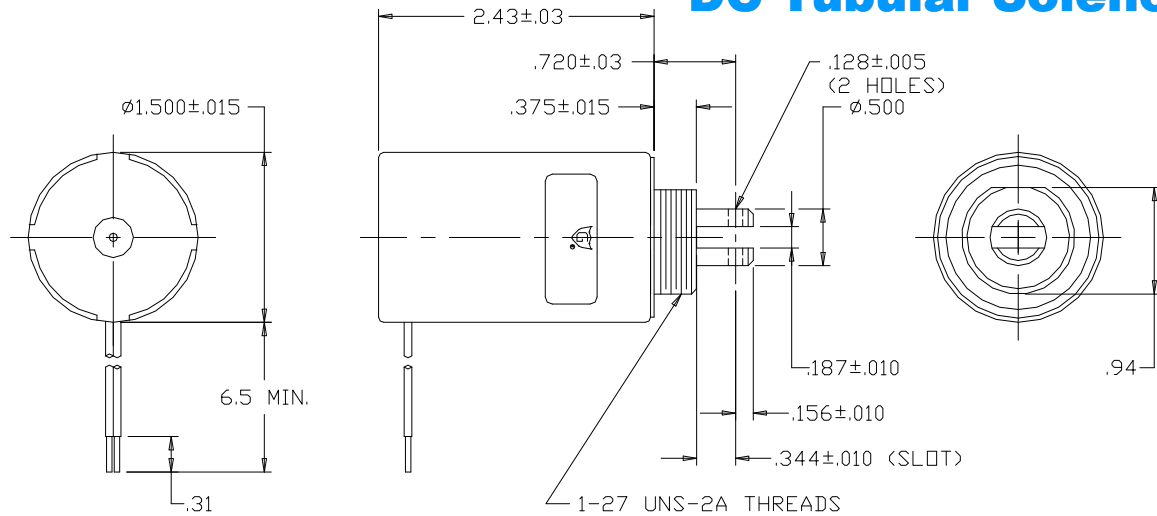
ISO 9001 / AS9100 Certified Company

Woodstock, IL 60098 Ph. (815)334-3600 Fax (815)337-0377

Or visit us at our website www.guardian-electric.com

Model T12 x 19

DC Tubular Solenoid



Solenoid shown energized and fully seated.

Supplied with mounting bracket, hex nut and lockwasher (not shown).

Spring kits are available (consult factory).

Total Weight: 10.2 oz.

Plunger Weight: 1.6 oz.


Model No.	Part No.	Duty Cycle	Voltage	Resistance (Ω)	Power (W)	Current
T12x19-I-12	A420-066843-00	Intermittent	12VDC	5.6	27	2.14 A
T12x19-C-12	A420-066842-00	Continuous	12VDC	17.5	8.6	686 mA
T12x19-I-24	A420-066845-00	Intermittent	24VDC	22.1	27.4	1.09 A
T12x19-C-24	A420-066844-00	Continuous	24VDC	68	8.9	353 mA

When ordering, please refer to Part No., as listed above.

Consult factory for custom configurations.

Stroke (in.)	Pull Force (oz.)								Holding Force (oz.)
	0.050	0.125	0.250	0.375	0.500	0.625	0.750	1.000	
Continuous Duty	100	60	30	20	18	15	10	8	179
Intermittent Duty	145	110	70	50	40	35	27	20	205

UL Recognition

Recognized under the  Component Recognition Program of **Underwriters Laboratories, Inc.**

Continuous Duty

100% 'On' Time

Intermittent Duty

25% 'On' Time, (100 Seconds 'On' Max. Followed By 300 Seconds 'Off' Min.)

RoHS

These parts comply with **RoHS** Directive 2002/95/EC