



# GUARDIAN Electric Manufacturing

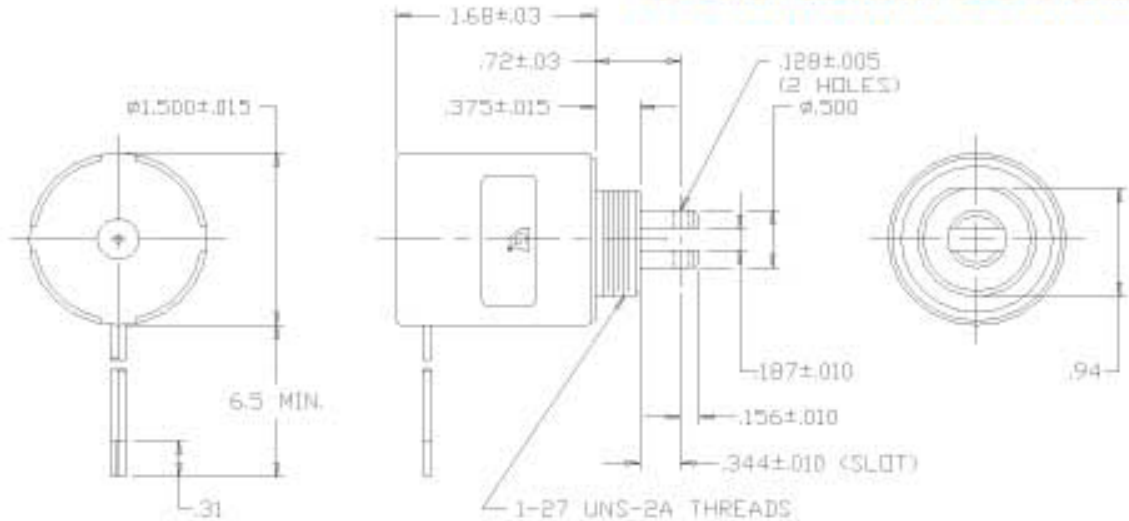
ISO 9001 / AS9100 Certified Company

Woodstock, IL 60098 Ph. (815)334-3600 Fax (815)337-0377

Or visit us at our website [www.guardian-electric.com](http://www.guardian-electric.com)

## Model T12 x 13

## DC Tubular Solenoid



Solenoid shown energized and fully seated.

Supplied with mounting bracket, hex nut and lockwasher (not shown).

Spring kits are available (consult factory).

Total Weight: 10.2 oz.

Plunger Weight: 1.6 oz.


Model No.	Part No.	Duty Cycle	Voltage	Resistance (Ω)	Power (W)	Current
T12x13-I-12	A420-066052-00	Intermittent	12VDC	7.3	20.7	1.64 A
T12x13-C-12	A420-066051-00	Continuous	12VDC	22.8	6.6	526 mA
T12x13-I-24	A420-066054-00	Intermittent	24VDC	28.4	21.3	845 mA
T12x13-C-24	A420-066053-00	Continuous	24VDC	90.4	6.7	265 mA

When ordering, please refer to Part No., as listed above.

Consult factory for custom configurations.

Stroke (in.)	Pull Force (oz.)								Holding Force (oz.)
	0.050	0.125	0.250	0.375	0.500	0.625	0.750	1.000	
Continuous Duty	80	40	18	10	5	2	1	N/A	188
Intermittent Duty	140	104	55	30	20	15	7	N/A	215

### UL Recognition

Recognized under the  Component Recognition Program of **Underwriters Laboratories, Inc.**

### Continuous Duty

100% 'On' Time

### Intermittent Duty

25% 'On' Time, (100 Seconds 'On' Max. Followed By 300 Seconds 'Off' Min.)

### RoHS

These parts comply with **RoHS** Directive 2002/95/EC