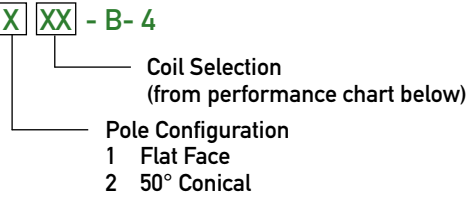


# Ledex<sup>®</sup> Magnetic Latching Box Frame Size B14-L

Part Number: B14 - L - X XX - B- 4



All catalog products manufactured after April 1, 2006 are RoHS Compliant

Well-suited for battery operation.

See the "Battery Operated Solenoids" section for complete information.

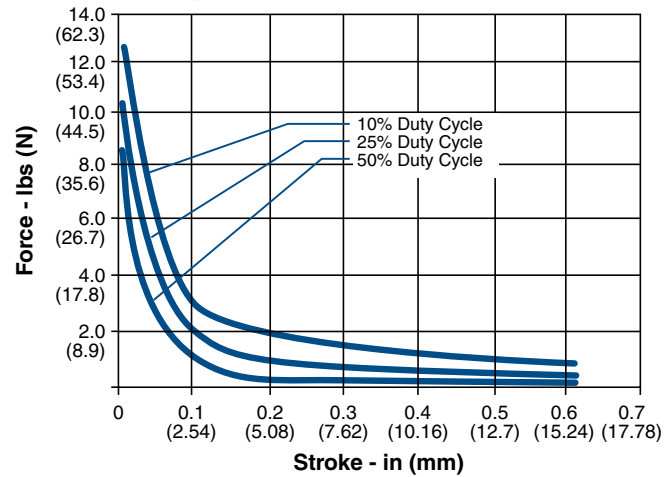
## Specifications

Operation	Pull
Dielectric Strength	500 VRMS for one second
Unlatch Voltage	See schematic and coil data below
Magnet Hold Force*	
Flat Face:	2.10 lb (with return spring)
50° Conical:	1.25 lb (with return spring)
Coil Insulation	Class "B": 130°C max. (standard); other temperature classes available
Coil Termination	10" PVC lead wires
Spring Force	0.37 lb/in; 0.17 lb latched position
Plunger Pole Face	Flat face with return spring 50° conical with return spring (other options available)
Plunger Weight	0.50 oz (14.2 g)
Total Weight	3.38 oz (95.9 g)
Dimensions	See page I 13
*In no power, latched position	

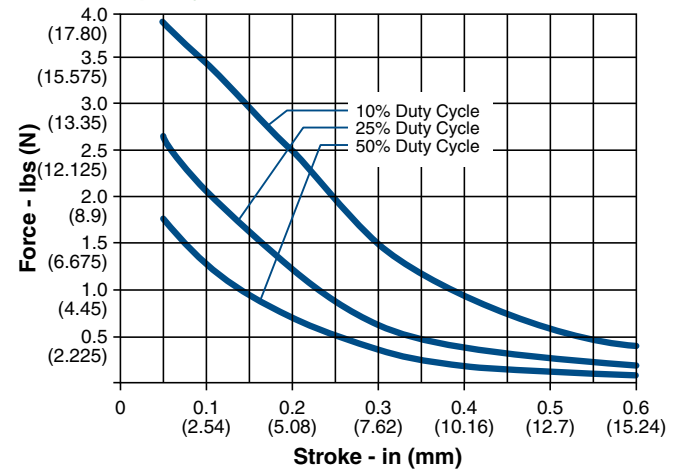
Maximum Duty Cycle	Unlatched			
	Voltage	50%	25%	10%
Maximum ON Time (sec) when pulsed continuously	∞	100	36	7
Maximum ON Time (sec) for single pulse	∞	480	180	45
Watts (@ 20°C)	5.2	10.4	20.8	52.2
Ampere Turns (@ 20°C)	750	1060	1500	2370

Part Number	Coil Data			VDC (Nom)	VDC (Nom)	VDC (Nom)
	Resistance (@20°C)	Ref # Turns	Unlatch VDC			
B14-L-X58-B-4	1.93	480	3	4	6	10
B14-L-X55-B-4	6.90	871	6	8.5	12	19
B14-L-X56-B-4	17.40	1408	9	13	18	29
B14-L-X54-B-4	28.60	1791	12	17	24	38
B14-L-X53-B-4	110.00	3450	24	34	48	76

## Typical Force @ 20°C – Flat Face Armature (net with spring)

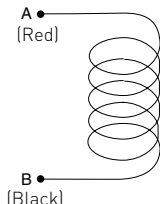


## Typical Force @ 20°C – 50° Conical Armature (net with spring)



### Coil Polarity

Latch: A+ B-  
Unlatch: A- B+



### NOTES:

- All data is typical.
- Force testing is done with the solenoid in the horizontal position.
- All data reflects operation with no heatsink.

### How to Order

Select the part number from the table provided. (For example, to order a 25% duty cycle unit rated at 48 VDC with a 50° Conical Armature, specify B14-L-255-B-4.

Please see [www.ledex.com](http://www.ledex.com) (click on Stock Products tab) for our list of stock products available through our North American distributors.

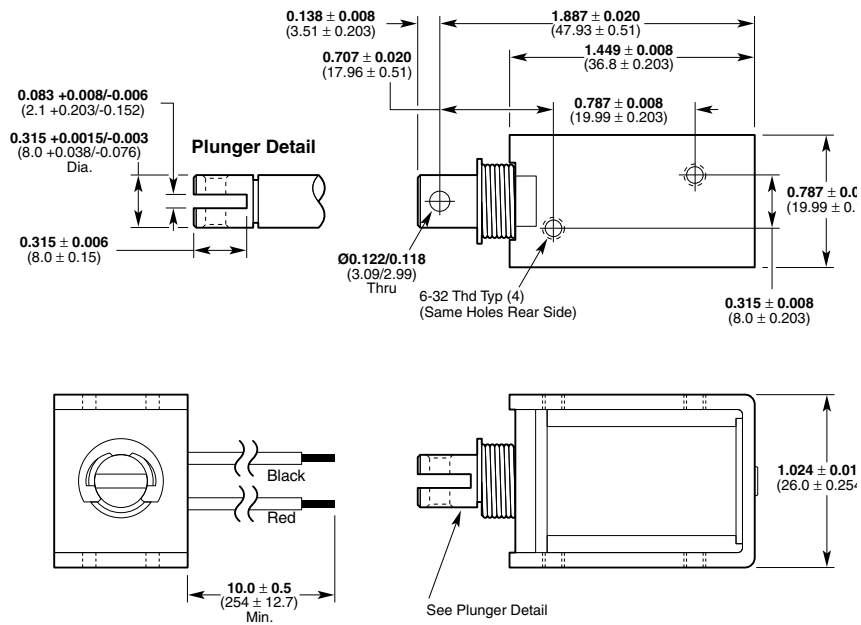
Force values for reference only.

All specifications subject to change without notice.

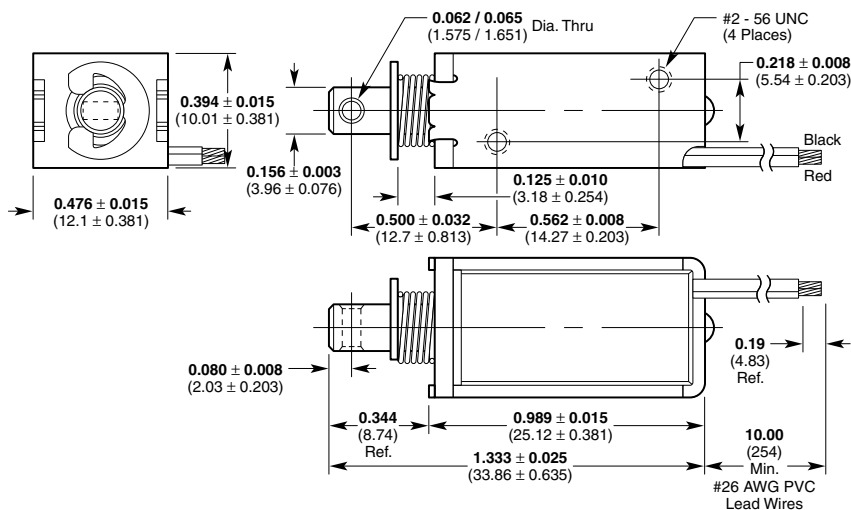
# Ledex® Box Frame Magnetic Latching Dimensions

Inches (mm)

## B14-L



## B16-L



LINEAR Magnet Latch

All solenoids are illustrated in energized state

All specifications subject to change without notice.