



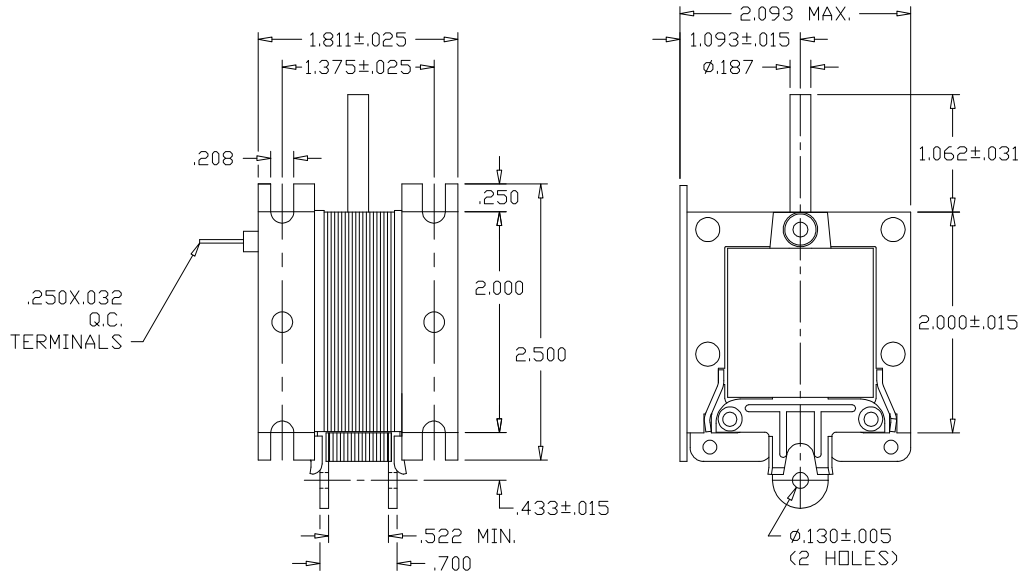
GUARDIAN Electric Manufacturing

ISO 9001 / AS9100 Certified Company

Woodstock, IL 60098 Ph. (815)334-3600 Fax (815)337-0377

Or visit us at our website www.guardian-electric.com

Model 18P Push Laminated AC Frame Solenoid



Solenoid shown energized and fully seated.

Total Weight: 18 oz.

Plunger Weight: 5 oz.


Model No.	Part No.	Duty Cycle	Volts	Res. (Ω)	Power (VA)	Current, Seated
18P-I-120A	A420-063493-07	*Intermittent	120	8.8	228	2.0 A
18P-C-120A	A420-063493-08	Continuous	120	19.7	49	430 mA
18P-I-240A	TBA	*Intermittent	240	45	228	1.1 A
18P-C-240A	TBA	Continuous	240	78	49	220 mA

When ordering, please refer to Part No., as listed above.

Consult factory for custom configurations.

Stroke (in.)	Push Force (oz.)							Holding Force (oz.)
	0.125	0.250	0.375	0.500	0.625	0.750	1.000	-
Continuous Duty	155	115	105	105	105	100	60	100
*Intermittent Duty	336	240	200	195	200	195	144	240

UL Recognition

Recognized under the  Component Recognition Program of **Underwriters Laboratories, Inc.**

Continuous Duty

100% 'On' Time

*Intermittent Duty

10% 'On' Time, (180 Seconds 'On' Max.
Followed By 1620 Seconds 'Off' Min.)

RoHS

These parts comply with **RoHS** Directive 2002/95/EC