



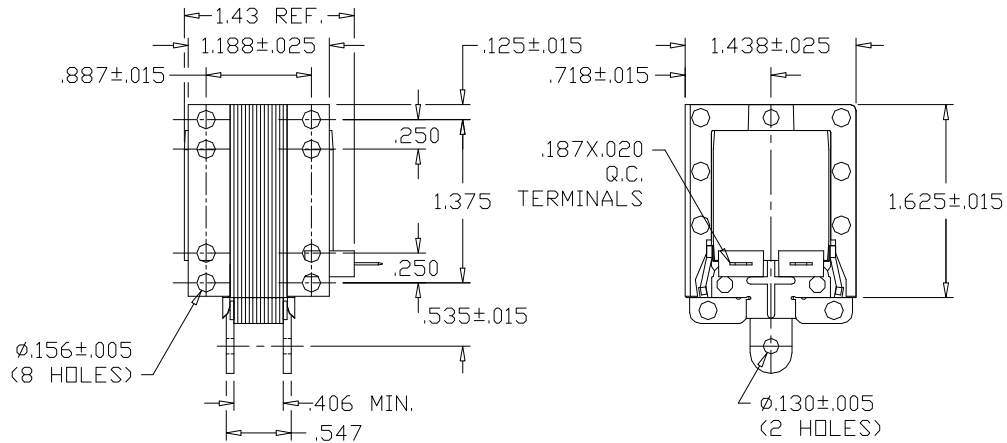
GUARDIAN Electric Manufacturing

ISO 9001 / AS9100 Certified Company

Woodstock, IL 60098 Ph. (815)334-3600 Fax (815)337-0377

Or visit us at our website www.guardian-electric.com

Model 16 Laminated AC Frame Solenoid



Solenoid shown energized and fully seated.

Total Weight: 9 oz.

Plunger Weight: 2 oz.


| Model No. | Part No. | Duty Cycle | Volts | Res. (Ω) | Power (VA) | Current, Seated (mA) |
|-----------|----------------|---------------|-------|----------|------------|----------------------|
| 16-I-120A | A421-064142-02 | *Intermittent | 120 | 41 | 70 | 583 |
| 16-C-120A | A421-064142-01 | Continuous | 120 | 85 | 20 | 167 |
| 16-I-240A | A421-064142-04 | *Intermittent | 240 | 200 | 70 | 292 |
| 16-C-240A | A421-064142-03 | Continuous | 240 | 350 | 20 | 83 |

When ordering, please refer to Part No., as listed above.

Consult factory for custom configurations.

| Stroke (in.) | Pull Force (oz.) | | | | | | | Holding Force (oz.) |
|--------------------|------------------|-------|-------|-------|-------|-------|-------|---------------------|
| | 0.125 | 0.250 | 0.375 | 0.500 | 0.625 | 0.750 | 1.000 | |
| Continuous Duty | 68 | 43 | 35 | 30 | 23 | 18 | 8 | 70 |
| *Intermittent Duty | 112 | 80 | 67 | 60 | 50 | 35 | 8 | 130 |

UL Recognition

Recognized under the  Component Recognition Program of **Underwriters Laboratories, Inc.**

Continuous Duty

100% 'On' Time

*Intermittent Duty

10% 'On' Time, (150 Seconds 'On' Max. Followed By 1350 Seconds 'Off' Min.)

RoHS

These parts comply with **RoHS** Directive 2002/95/EC