

Ledex® Size 155 Pull Tubular Solenoids — 1-1/2" Dia. x 1-1/2"

Part Number: 152097 - X XX

All catalog products manufactured after April 1, 2006 are RoHS Compliant

Coil AWG Number
(from performance chart below)

Plunger Configurations and anti-rotation flat on mounting
2 60° plunger without anti-rotation flat
6 60° plunger with anti-rotation flat

Performance

| Maximum Duty Cycle | 100% | 50% | 25% | 10% |
|---|------|------|------|------|
| Maximum ON Time (sec) when pulsed continuously ¹ | ∞ | 214 | 51 | 12 |
| Maximum ON Time (sec) for single pulse ² | ∞ | 467 | 155 | 51 |
| Watts (@ 20°C) | 11.5 | 23 | 46 | 115 |
| Ampere Turns (@ 20°C) | 1375 | 1945 | 2750 | 4350 |

Coil Data

| awg (0XX) ³ | Resistance (@20°C) | # Turns ⁴ | VDC (Nom) | VDC (Nom) | VDC (Nom) | VDC (Nom) |
|------------------------|--------------------|----------------------|-----------|-----------|-----------|-----------|
| 23 | 4.74 | 900 | 7.4 | 10.4 | 14.8 | 23.3 |
| 24 | 7.41 | 1120 | 9.2 | 13.1 | 18.5 | 29.2 |
| 25 | 11.50 | 1386 | 11.5 | 16.3 | 23 | 36.4 |
| 26 | 17.53 | 1692 | 14.2 | 20.1 | 28.4 | 44.9 |
| 27 | 29.41 | 2212 | 18.4 | 26 | 36.8 | 58.1 |
| 28 | 43.75 | 2655 | 22.4 | 31.7 | 44.8 | 70.9 |
| 29 | 70.36 | 3366 | 28.4 | 40.2 | 56.9 | 89.9 |
| 30 | 110.74 | 4199 | 35.7 | 50.4 | 71.3 | 112.8 |
| 31 | 183.48 | 5434 | 45.9 | 64.9 | 91.7 | 145.1 |
| 32 | 279.46 | 6624 | 56.7 | 80.1 | 113.3 | 179.2 |
| 33 | 442.65 | 8289 | 71.3 | 100.8 | 142.6 | 225.5 |

¹ Continuously pulsed at stated watts and duty cycle

² Single pulse at stated watts (with coil at ambient room temperature 20°C)

³ Other coil awg sizes available — please consult factory

⁴ Reference number of turns

Specifications

| | |
|-------------------------------|---|
| Dielectric Strength | 1000 VRMS |
| Holding Force | 60°: 10 lbs (44.48 N) at 20°C |
| Recommended Minimum Heat Sink | Maximum watts dissipated by solenoid are based on an unrestricted flow of air at 20°C, with solenoid mounted on the equivalent of an aluminum plate measuring 6" square by 1/8" thick |
| Coil Resistance | ±5% tolerance |
| Coil Termination | 10" minimum lead wires |
| Weight | 11.3 oz (320 gms) |
| Plunger Weight | 1.6 oz (46 gms) |
| Dimensions | Ø1.5 x 1.68" L (see drawing on the following page) |

How to Order

Add the plunger configuration and the coil awg number to the part number (for example: to order a unit with a 60° plunger configuration without an anti-rotation flat rated for 14 VDC at 25% duty cycle, specify 152097-223).

Please see www.ledex.com (click on Stock Products tab) for our list of stock products available through our North American distributors.

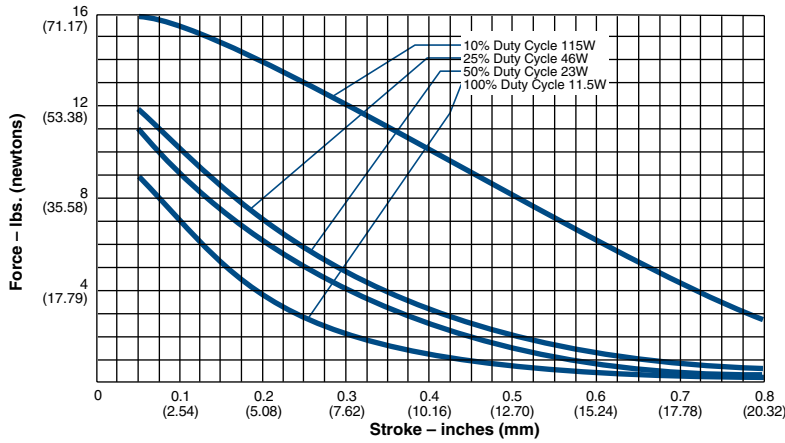
LINEAR Tubular

All specifications subject to change without notice.

Ledex® Size 155 Pull Tubular Solenoids — 1-1/2" Dia. x 1-1/2"

Pull Tubular Solenoid – 1-1/2" dia. x 1-1/2"

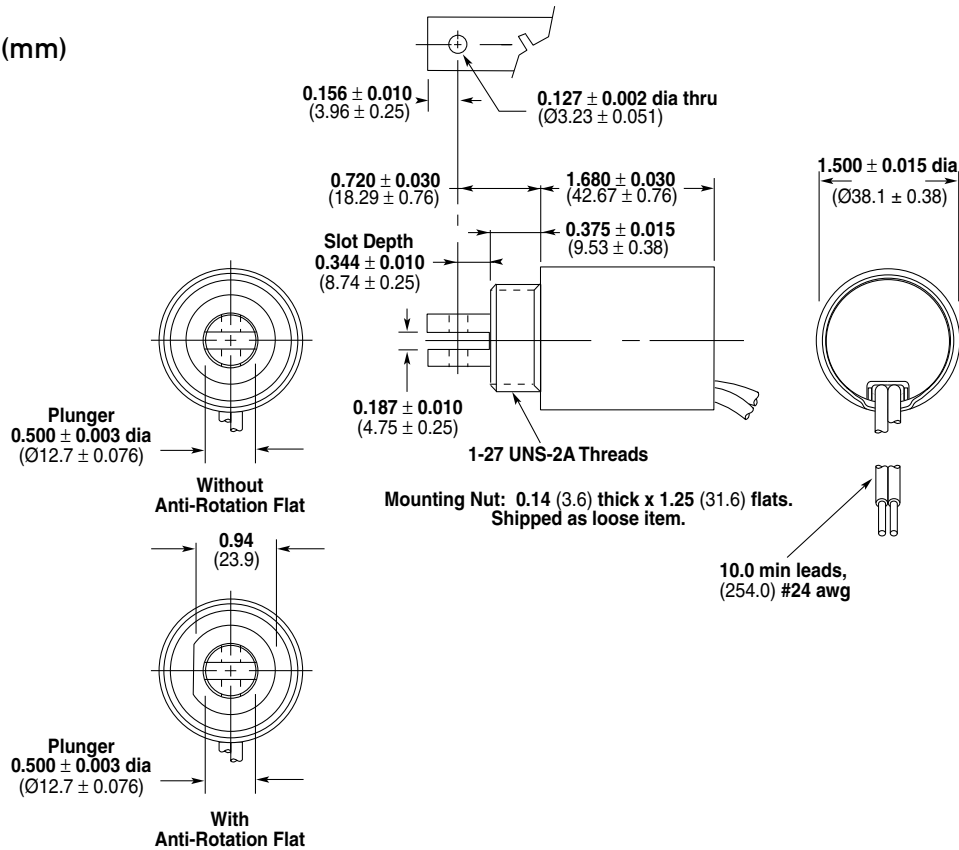
Typical Force @ 20°C



LINEAR Tubular

Dimensions

Inches (mm)



Solenoid illustrated in energized state.

All specifications subject to change without notice.