

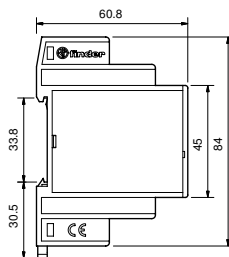
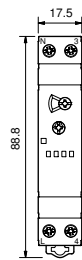
Features

Range of electronic staircase timers

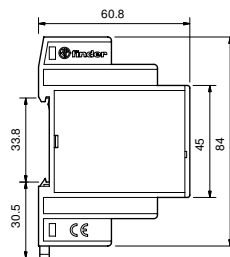
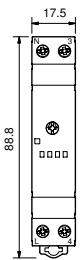
- 17.5 mm wide
- Time setting from 30 s to 20 min
- "Zero crossing" load switching
- "Switch-off early warning" - model 14.01
- Type 14.81: wiring compatible with mechanical versions
- Suitable for 3 or 4 wire systems, with automatic recognition
- LED status indicators
- Cadmium free contact material
- Can be used with illuminated push - buttons
- "Blade + cross" - both flat blade and cross head screw drivers can be used to adjust the function selector, the timing trimmer, and to disengage the 35mm rail mounting clip

14.01

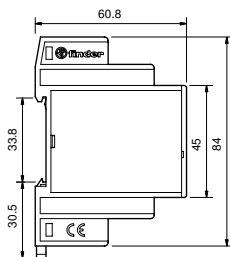
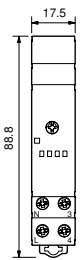

- Multi-function
- 1 NO (SPST-NO)
- 35 mm rail (EN 50022) mount


14.71


- Mono-function
- 1 NO (SPST-NO)
- 35 mm rail (EN 50022) mount


14.81


- Mono-function
- 1 NO (SPST-NO)
- 35 mm rail (EN 50022) mount
- All terminals on same side



Contact specification

Contact configuration	1 NO (SPST-NO)	1 NO (SPST-NO)	1 NO (SPST-NO)
Rated current/Maximum peak current A	16/30 (120 A - 5 ms)	16/30 (120 A - 5 ms)	16/30 (120 A - 5 ms)
Rated voltage/Maximum switching voltage V AC	230/—	230/—	230/—
Rated load AC1 VA	3,700	3,700	3,700
Rated load AC15 (230 V AC) VA	750	750	750
Nominal lamp rating:incandescent (230 V) W	3,000	3,000	3,000
compensated fluorescent (230 V) W	1,000	1,000	1,000
uncompensated fluorescent (230 V) W	1,000	1,000	1,000
halogen (230 V) W	3,000	3,000	3,000
Minimum switching load mW (V/mA)	1,000 (10/10)	1,000 (10/10)	1,000 (10/10)
Standard contact material	AgSnO ₂	AgSnO ₂	AgSnO ₂

Supply specification

Nominal voltage (U _N)	V AC (50/60 Hz)	230	230	230
	V DC	—	—	—
Rated power AC/DC	VA (50 Hz)/W	3/1.2	3/1.2	3/1.2
Operating range	AC (50 Hz)	(0.8...1.1)U _N	(0.8...1.1)U _N	(0.8...1.1)U _N
	DC	—	—	—

Technical data

Electrical life at rated load in AC1	cycles	100 · 10 ³	100 · 10 ³	100 · 10 ³
Delay setting	min	0.5...20	0.5...20	0.5...20
Max no. of illuminated push-button (≤ 1 mA)		30	30	15
Maximum impulse duration		continuous	continuous	continuous
Ambient temperature range	°C	-10...+60	-10...+60	-10...+60
Protection category		IP 20	IP 20	IP 20

Approvals (according to type)



Ordering information

Example: 14 series multi-function relay, single phase switch 1 NO (SPDT-NO) 16 A contact, supply rated at 230 V AC.

1 4 . 0 1 . 8 . 2 3 0 . 0 0 0 0

Series

Type

- 0 = 35 mm rail (EN 50022) mount, multi-function
- 7 = 35 mm rail (EN 50022) mount, mono-function
- 8 = 35 mm rail (EN 50022) mount mono-function, all terminals on same side

No. of poles

- 1 = Single phase switch, 16 A

Supply voltage

230 = 230 V

Supply version

8 = AC (50/60 Hz)

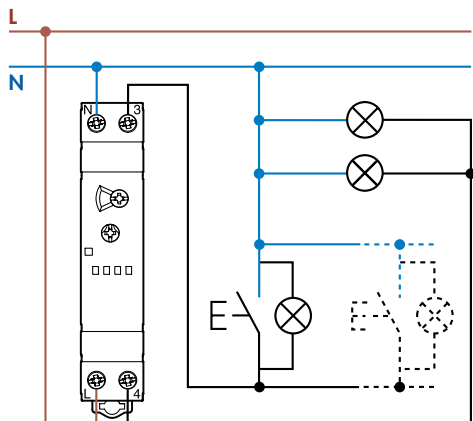
Technical data

Insulation		
Dielectric strength between open contacts	V AC	1,000
Other data		
Power lost to the environment	without contact current	W 1.2
	with rated current	W 2
Max cable length for push-button connection	m	200
Screw torque	Nm	0.8
Max. wire size	solid cable	
	mm ²	1x6 / 2x4
	AWG	1x10 / 2x12
	stranded cable	
		1x4 / 2x2.5
		1x12 / 2x14

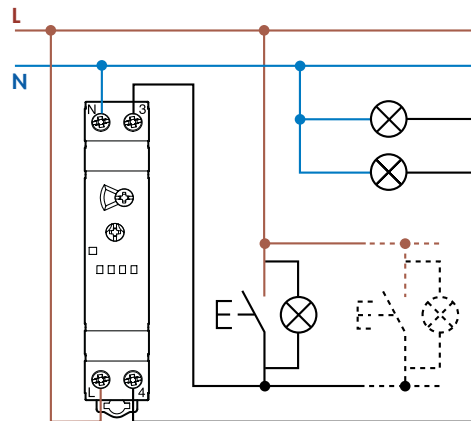
Wiring diagrams

Type 14.01
14.71

Red LED indication:
Continuous = relay ON
Blinking = relay OFF



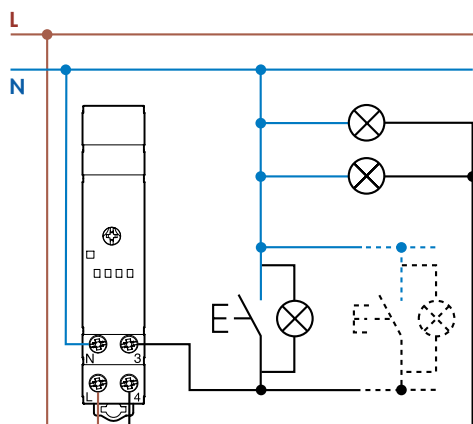
3 wire connection



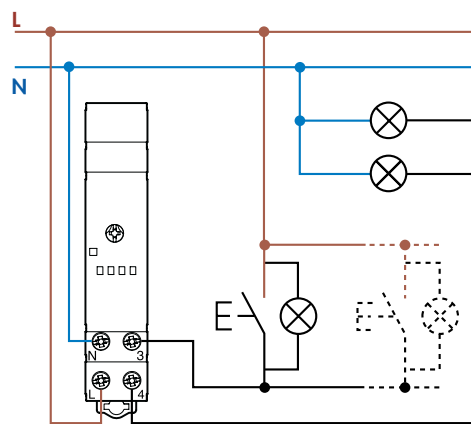
4 wire connection

Type 14.81

Red LED indication:
Continuous = relay ON
Blinking = relay OFF



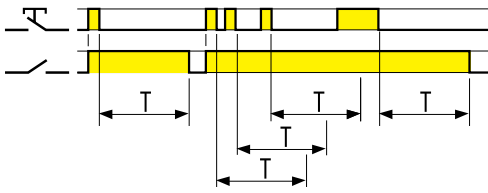
3 wire connection



4 wire connection

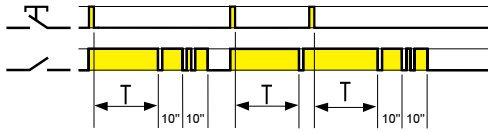
Functions

Type 14.01 Functions selectable with front rotary selector



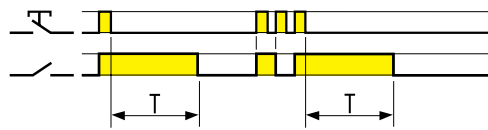
(BE) Staircase relay

On initial impulse the output contact closes and timing starts for the pre-set duration; subsequent impulses during the timing period will extend the timing period by the full pre-set value. On expiry of the time delay, the output contact opens.



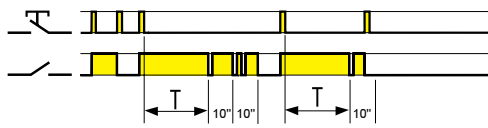
(BP) Staircase relay with early warning

On initial impulse the output contact closes and the timing starts for the pre-set duration. After the timing period, the output contact blinks off once; 10secs later the contact blinks off twice, and after a further 10secs the contact opens. During the pre-set and 20 second warning time, it is possible, by a further impulse, to extend the time by the full pre-set value.



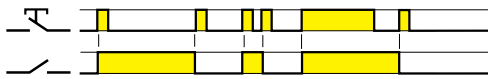
(IT) Timing step relay

On initial impulse the output contact closes and timing starts for the pre-set duration; On expiry of the time delay, the output contact opens. During the timing period it is possible to immediately open the contact with a further impulse.



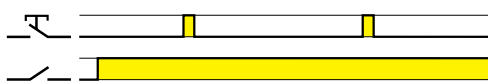
(IP) Timing step relay with early warning

On initial impulse the output contact closes and timing starts for the pre-set duration; After the timing period, the output contact blinks off once; 10 secs later the contact blinks off twice, and after a further 10 secs the contact opens. During the pre-set and 20 second warning time, it is possible to immediately open the output contact by a further impulse.



(RI) Step relay

After every impulse, the output contact changes state - alternately switching from open to closed and vice versa.

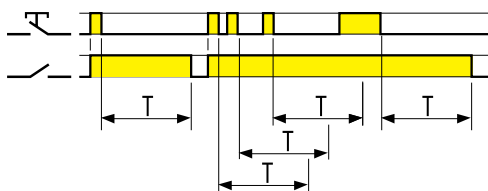


(ON) Light ON

With this function set - the output contact stays permanently closed.

NOTE: The blinking within the Early Warning functions (BP and IP) could cause re-start problems for fluorescent lamps with electromagnetic chokes (both conventional and compact types); We consequently suggest not to use such lamps with these functions.

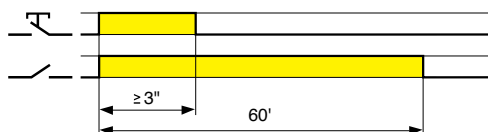
Type 14.71 and 14.81



Staircase relay

On initial impulse the output contact closes and timing starts for the pre-set duration; subsequent impulses during the timing period will extend the timing period by the full pre-set value. On expiry of the time delay, the output contact opens.

Type 14.01, 14.71 and 14.81 - "Staircase maintenance" function



"Staircase maintenance" function

An impulse of > 3 seconds will close the output contact for 60 minutes, after which time the contact will open. Ideal for maintenance or cleaning activities.