

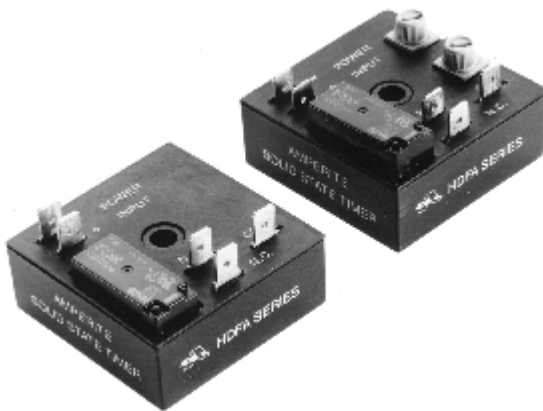


Solving your relay requirements since 1922

Amperite Co.

(800) 752-2329  
www.Amperite.com

## HDFA Series Adjustable Recycling Time Delay Relays (Flashers)



- ... 10 Ampere SPDT (1 form C) Switching
- ... CMOS digital timing circuitry
- ... OFF and ON-Time user adjustable
- ... Timing from milliseconds to hours
- ... UL File # Pending
- ... CSA File #Pending

### Description:

The Amperite HDFA Series low cost adjustable recycling timers may be used to alternately switch one or two load circuits with both OFF-Time and ON-Time adjustable by means of two built-in potentiometers. A SPDT 10 ampere contact set alternates continuously as long as power is applied to the relay. Typical applications include OFF/ON cycling for equipment burn-in test, lighting controls, and automatic cycling of electrically operated devices.

### Contact Information:

1 form C (SPDT) contact set. 1/2 HP @ 240 VAC, 1/3 HP @ 125 VAC. 10 amperes maximum @ 30 VDC or 250 VAC. Minimum switching load current 10 ma @ 5 VDC.

### Timing Specifications:

OFF/ON recycling (flasher) timer. Standard timing ranges are shown below. Custom and fixed timing are available; consult factory.

Timing ranges:

A: .25 to 10 seconds

G: 1 to 4 hours

B: .25 to 25 seconds

H: 14.4 minutes to 24 hours



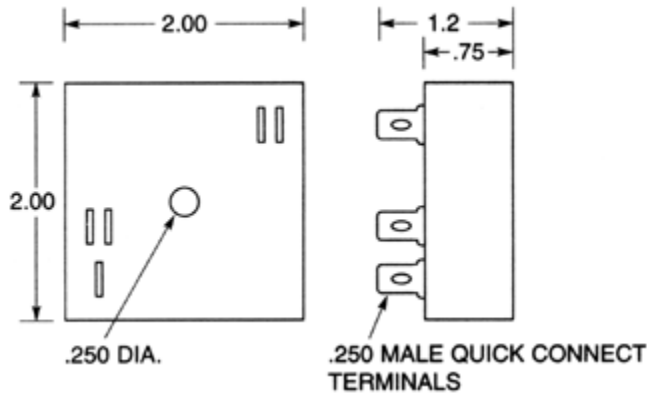
Solving your relay requirements since 1922

Amperite Co.

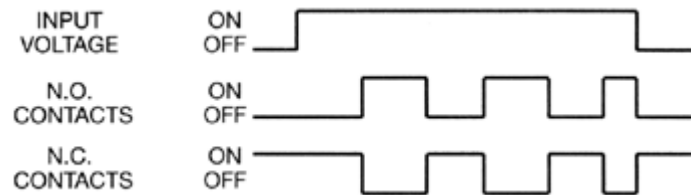
(800) 752-2329  
www.Amperite.com

C: .6 to 60 seconds                      I: .6 to 60 minutes  
 D: 1.2 to 120 seconds                  J: .1 to 10 minutes  
 E: 1.8 to 180 seconds                  K: 10 minutes to 24 hours  
 F: 1 to 100 minutes                      M: 1 to 10 hours

**Outline Dimensions:**



**Timing Diagram:**



**Input Information:**

VOLTAGE: AC units- 12V, 24V and 120V AC.  
 DC units- 12V, 24V, 48V and 110V DC.  
**Custom voltages are available.**

POWER REQUIREMENT: AC units: 3 VA or less;  
 DC units: 3 watts or less.

Polarity Protection on DC units - Yes.

**Input Voltages & Limits:**

Nominal	Minimum	Maximum		Nominal	Minimum	Maximum
---------	---------	---------	--	---------	---------	---------



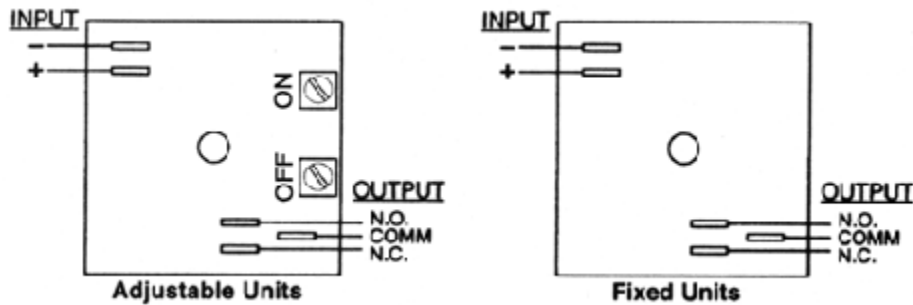
Solving your relay requirements since 1922

Amperite Co.

(800) 752-2329  
www.Amperite.com

12V AC	10V	14V		12V DC	11V	14V
24V AC	20V	28V		24V DC	20V	32V
120V AC	105V	130V		48V DC	41V	55V
				110V DC	95V	125V

### Wiring Diagram:



### Mechanical Information:

Enclosure 2 X 2 X 3/4 inch black plastic, epoxy sealed. Center hole mounting. 1/4 inch quick connect male terminals.



### Ordering Information:

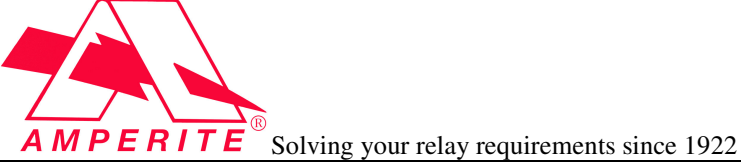
Definition of a part number for the Amperite HDFA Series Recycling Relay:

Example:

120 A A / A R HDFA  
 ↑ ↑ ↑ ↑ ↑ ↑  
 A B C D E F

**A:** Denotes nominal input voltage. Voltages available: 12V, 24V & 120V AC; 12V, 24V, 48V & 110V DC. **Custom voltages are available.**

**B:** Denotes type of control input power required for operation: A = AC - Alternating Current; D = DC - Direct Current.

	Amperite Co.  (800) 752-2329 www.Amperite.com
---	--

**C:** Denotes first timing period which is an "OFF" time delay. See chart above. If fixed time is required, specify time followed by S=seconds; M=minutes; or H=hours.

**D:** Denotes second timing period; see chart above. For fixed timing, specify time followed by S=seconds; M=minutes; H=hours.

**E:** Add "R" only if the "ON" time delay period is to occur first. When using "R" option, enter timing range for ON-Time in "C" & OFF-Time in "D".

**F:** Denotes Amperite HDFFA Series 10 ampere SDT recycling timer.

