



Solving your relay requirements since 1922

Amperite Co.  
567 52nd Street  
P.O. Box 329  
West New York, NJ 07093  
(800) 752-2329  
www.Amperite.com

## ST1A Series Solid State Delay-On-Make Timers



... 100% solid state circuitry - no moving parts

... CMOS digital timing circuitry

... Fixed or field adjustable delays from milliseconds to hours

... 2 amperes continuous load current (10 amperes available, consult factory)

### Timing Mode:

Delay on operate begins upon application of input power. The load is energized at the end of the delay period and remains so until input power is removed.

### Timing Diagram:



### Contact Information:

Solid state switching device 1 form A; normally open series connection. Continuous current rating 2 amperes. Maximum inrush 20 amperes. Voltage drop 2.5 volts RMS or less @ 2 amperes. (For 10 ampere load current rating consult factory).

Note: Maximum current rating for 110V DC is 2 amperes (heat sink required).

)



Solving your relay requirements since 1922

Amperite Co.  
 567 52nd Street  
 P.O. Box 329  
 West New York, NJ 07093  
 (800) 752-2329  
 www.Amperite.com

### Timing Specifications:

Timing: Factory fixed, or 0.1 seconds to 100 hours in any of the ranges below. Timing is set by user supplied resistor or potentiometer. Custom timing available.

Timing ranges:

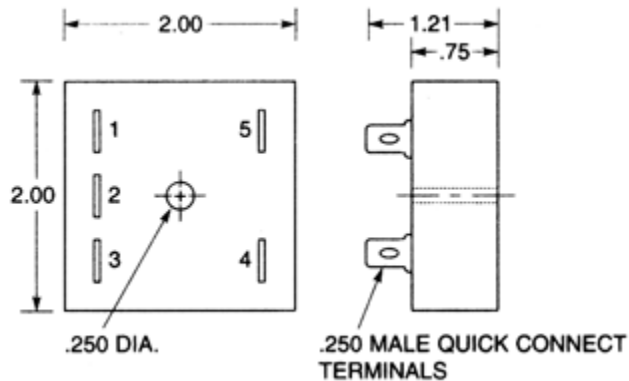
.1 to 10 seconds	1 to 100 minutes
.2 to 20 seconds	10 to 1000 minutes
1 to 100 seconds	.1 to 10 hours
10 to 1000 seconds	1 to 100 hours
.1 to 10 minutes	

Timing tolerance: fixed units +/- 10%

Timing repeatability: 2%

Timing cycle interrupt transfer: none

### Outline Dimensions:



### AC (60 Hz) and DC Input Voltages & Limits

Nominal	Minimum	Maximum
12V	10V	14V
24V	20V	28V
48V	41V	55V

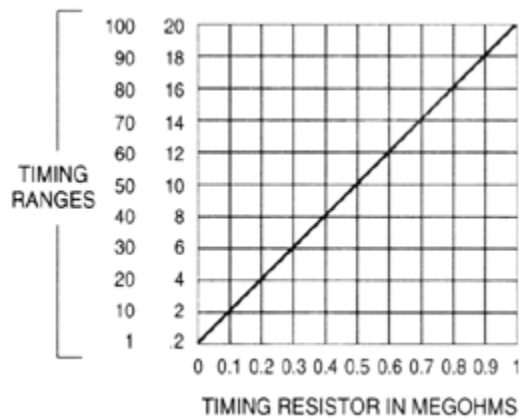


Solving your relay requirements since 1922

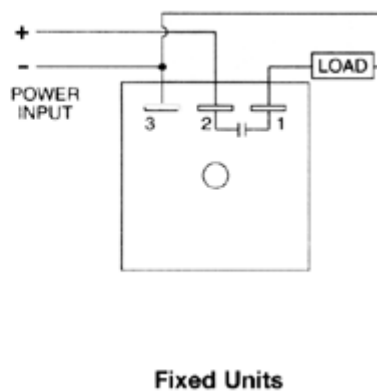
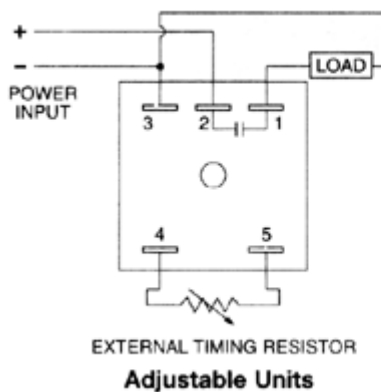
Amperite Co.  
 567 52nd Street  
 P.O. Box 329  
 West New York, NJ 07093  
 (800) 752-2329  
 www.Amperite.com

110V	95V	125V
120V	105V	130V
230V	190V	255V

### External Resistor Selection:



### Wiring Diagrams:



### Mechanical Information:

Enclosure 2 X 2 X 3/4 inch black plastic, epoxy sealed. Center hole mounting. Three or five 1/4 inch quick connect male terminals



Solving your relay requirements since 1922

Amperite Co.  
567 52nd Street  
P.O. Box 329  
West New York, NJ 07093  
(800) 752-2329  
www.Amperite.com



### Ordering Information:

Definition of a part number for the Amperite ST1A Series Time Delay Relay:

Example:

120 A .1 - 10 M ST1A  
↑    ↑    ↑    ↑    ↑    ↑  
A    B    C    D    E    F

**A:** Denotes nominal input voltage. Voltages available: 12V, 24V, 120V & 230V AC; 12V, 24V, 48V & 110V DC. **Custom voltages are available.**

**B:** Denotes type of input power required for operation: A = AC - Alternating Current; D = DC - Direct Current.

**C & D:** Denotes range of adjustability by using an external resistor or potentiometer, where C is the minimum timing and D is the maximum timing. Standard timing span is 100:1. For fixed timing units specify a single number.

**E:** Denotes unit of time delay: S=seconds; M=minutes; H=hours.

**F:** Denotes Amperite ST1A Series solid state, delay-on-make timer.



*Solving Your Relay Requirements Since 1922*