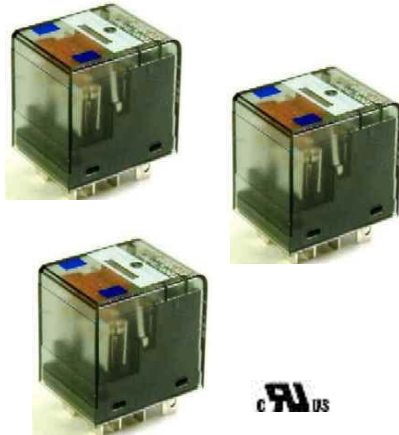


PT Faston 2 pole 15A, DC or AC Coil

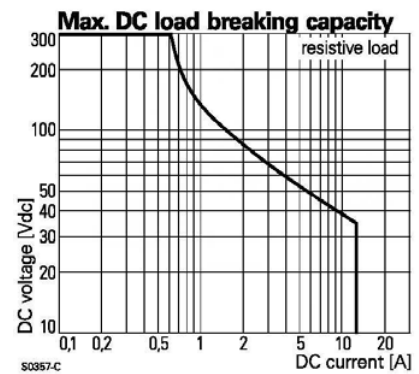


- 2 C/O contacts
- 15A Rated Current
- Relay Height 29mm
- Cadmium-free contact material
- Mechanical Indicator
- Universal use in control and automation.
- Mounting options include socket, PCB, and top flange
- cULus File No. E58304,

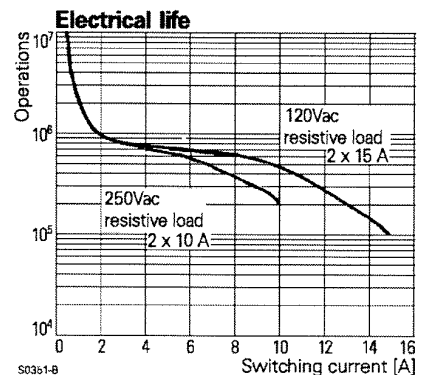
Note: VDE not available on all versions, it is under application.

This is a General Purpose Relay with faston terminals and PCB Terminals. Universal use in control and automation machines.

Contact Data	
Configuration	2 C/O
Type of contact	Single contacts
Rated current / Rated voltage	10A/250VAC 15A/120VAC
Max. Breaking voltage AC	250VAC
Maximum switching voltage	440VAC
Maximum breaking capacity AC	2500VA 1800VA
Make current	30A 20A
Contact Material	AgNi 90/10
Minimum contact load	5VDC 100mA



Contact Ratings		
Type	Load	Operations
PT2***	15A@120VAC	1x10 ⁵
	10A@250VAC	2x10 ⁵



Coil Data		
Nominal voltage	DC coil	6, 12, 24, 48, 60, 110, 220VDC
	AC coil	6, 12, 24, 48, 60, 115, 200, 230VAC
Nominal coil power	DC coil	Typ. 0.75W/max 0.9W
	AC coil	Typ. 1.0VA/max 1.2VA
Operate category	2 / b	
Operating range for AC coil 60Hz at 70°C	90...110%	
Coil insulation	Class 155(F)	

PT Faston 2 pole 15A, DC or AC Coil

Coil Versions, DC coil

Coil Code	Coil Code (with LED)	Nominal Voltage VDC	Pull-in Voltage VDC	Release Voltage VDC	Coil Resistance Ohm	Coil Current mA
006	L06	6	4.5	0.6	48±10%	125.0
012	L12	12	9.0	1.2	192±10%	62.5
024	L24	24	18.0	2.4	777±10%	31.3
048	L48	48	36.0	4.8	3072±10%	15.6
060	L60	60	45.0	6.0	4845±10%	12.5
110	M10	110	82.5	11.0	16133±10%	6.8
220	N20	220	165.0	22.0	64533±10%	3.4

All figures are given for coil without pre-energize, at ambient temperature +20°C

Coil Versions, AC coil

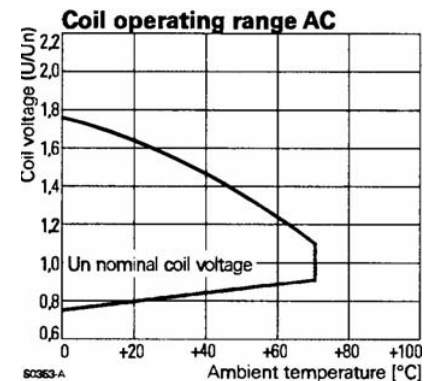
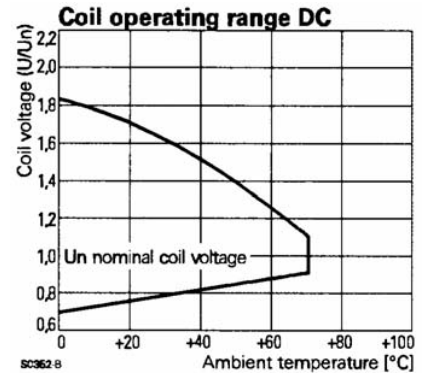
Coil Code	Coil Code (with LED)	Nominal Voltage VAC	Pull-in Voltage VAC	Release Voltage VAC	Coil Resistance Ohm	Coil Current mA
506	R06	6	4.8	1.8	11±10%	166.5
512	R12	12	9.6	3.6	48±10%	83.3
524	R24	24	19.2	7.2	192±10%	41.6
548	R48	48	38.4	14.4	777±10%	21.3
560	R60	60	48.0	18.0	1306±10%	16.7
600	S00	100	80.0	30.0	3550±10%	10.2
615	S15	115	92.0	34.5	4845±10%	8.8
700	T00	200	160.0	60.0	13800±10%	5.0
730	T30	230	184.0	69.0	19465±10%	4.3

Insulation

Dielectric strength	Coil -contacts	2500 Vrms
	Un-energized position typ.	1200 Vrms
	Adjacent contact	2500 Vrms
Clearance / creepage		2.6/4mm
Insulation to IEC 60664		
	Voltage rating	240V
	Pollution degree	3
	Over-voltage category	III
Insulation to VDE 0110b (2/79)		
	Insulation category/ref.volt.	C / 250
Tracking resistance of relay base		CTI 250

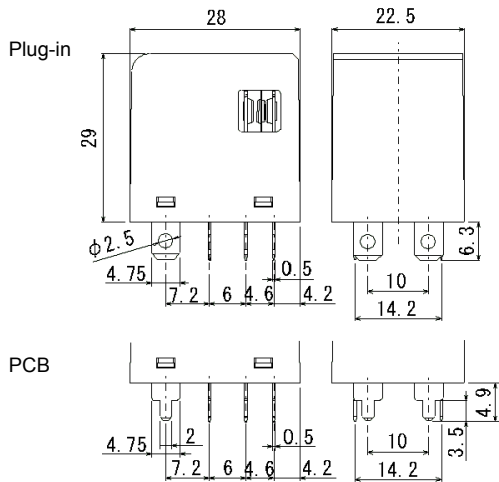
Other data

Ambient temperature	DC-coil	-40...+70°C
	AC-coil	-40...+70°C
Mechanical life	DC-coil	>20x10 ⁶
	AC-coil	>15x10 ⁶
Max. Switching rate at rate-/minimum load		6min ⁻¹ /600min ⁻¹
Operate time		<20ms
Release time		<15ms
Vibration resistance N/O contact N/C contact		>7/4g
Shock resistance (function) N/O contact N/C contact		>20/5g
Protection category of IEC 61810		RT II
Relay Weight		30g
Packing unit		20pcs.

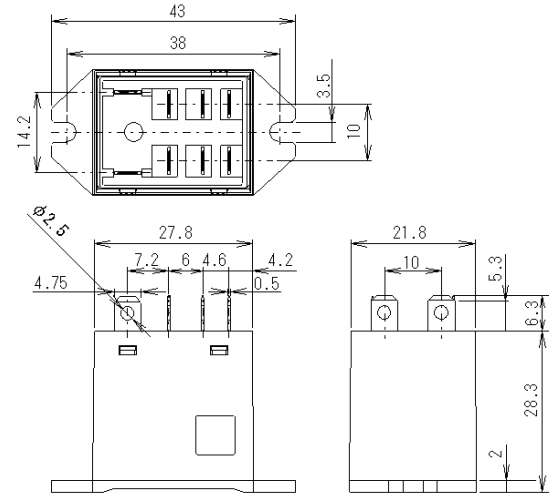


PT Faston 2 pole 15A, DC or AC Coil

Dimensions

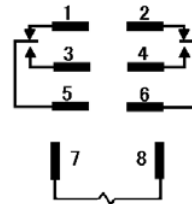
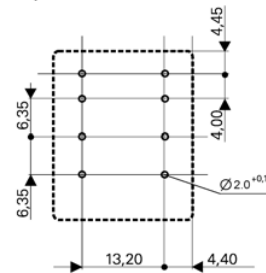


Flanged Mounting

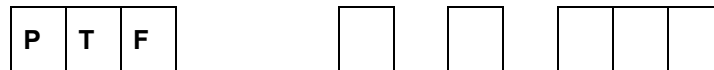


PCB Layout / Terminal Assignment

2-pole



Ordering Key



Type **PTF relay 2 Form C**

Contact material
2: **AgNi90/10**

Version
0: **Quick-connect terminals**
1: **PCB terminals**
2: **Flanged mounting cover**

Coil
Coil code: please refer to coil versions table (LED version is included.)

PT Faston 2 pole 15A, DC or AC Coil

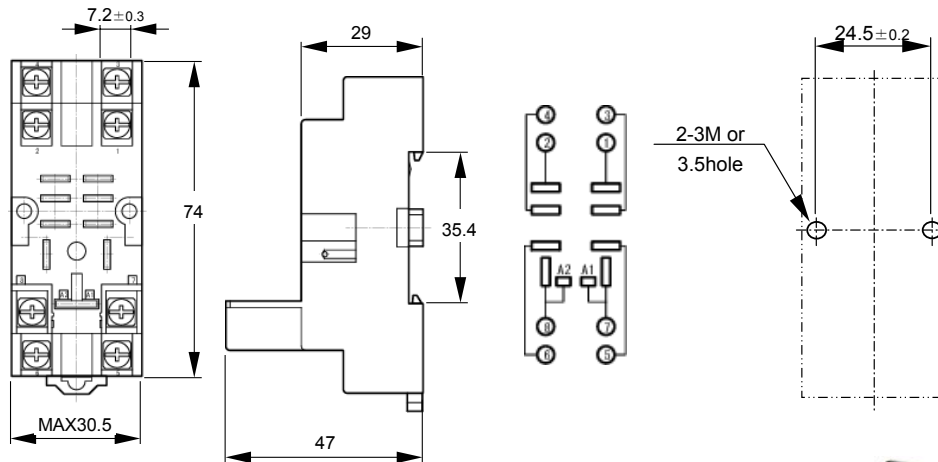
Sockets for DIN rail mounting 2pole, Accessories

Technical Data		
Rated Current	2pole	15A
Rated Voltage		120Vac
Insulation Cat. (VDE0110b)		C/250Vac
Ambient Temperature		-45~+70°C
Protection Category		IP20
Protection against accidental Contact meets		VBG 4
Terminal Torque		0.5Nm
Terminal Torque max.		0.7Nm
Packing Unit		10pcs.



Socket with Screw Terminals (2 pole)		
Product Name	Tyco Part No.	Description
PT 78 9F0	1461883-1	DIN Rail Socket with Screw Terminals, 2pole Quick connect terminals

Dimensions • Terminal location top view
PT789F0 DIN Rail Socket with Screw Terminals, 2pole , Quick connect terminals



Accessories		
ZG 28 801	1-1393162-5	Hold Down Spring (Metal), Relay Height for 36mm
PT 28 901	*Preparing	Hold Down Spring (Metal), Relay Height for 36mm(For PT&PTH)
PT 28 800	5-1419111-9	Hold Down Spring (Metal), Relay Height for 29mm
PTM T0 0A0	9-1415036-1	Protection Diode (A1+,A2-)
PTM T0 0L0	0-1415037-1	Protection Diode (A1-,A2+)
PTM U0 524	1-1415037-1	RC-network 6-60Vac
PTM U0 730	2-1415037-1	RC-network 110-230Vac
PTM V0 524	3-1415037-1	Varistor 24Vac
PTM V0 730	4-1415037-1	Varistor 230Vac
PTM L0 524	6-1415036-1	Red LED 6-24Vdc/Vac
PTM G0 524	3-1415036-1	Green LED 6-24Vdc/Vac
PTM L0 024	5-1415036-1	Red LED 6-24Vdc, w. Protection Diode (A1+,A2-)
PTM G0 024	2-1415036-1	Green LED 6-24Vdc, w. Protection Diode (A1+, A2-)
PTM L1 024	8-1415036-1	Red LED 6-24Vdc, w. Protection Diode (A1-,A2+)
PTM L0 730	7-1415036-1	Red LED 110-230Vdc/Vac
PTM G0 730	4-1415036-1	Green LED 110-230Vdc/Vac

