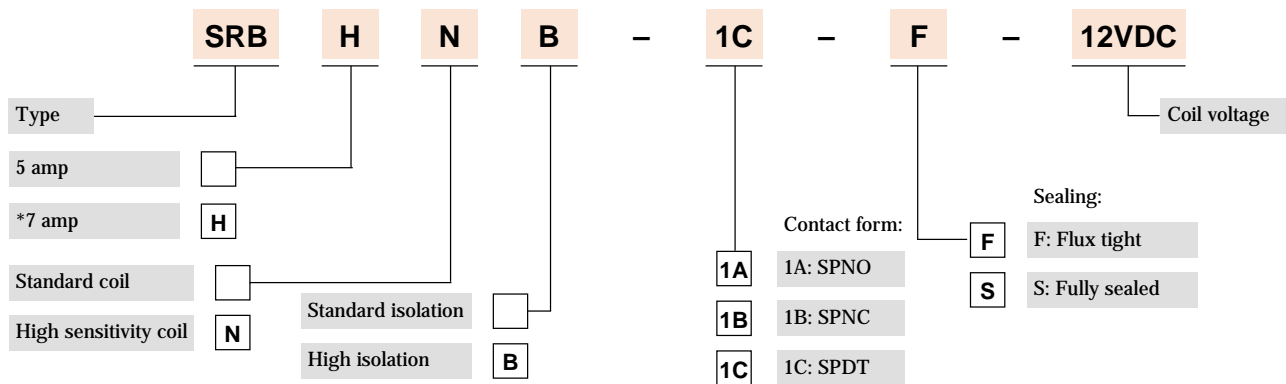


- 7A/250 VAC rating
- Flux tight or fully sealed versions available
- 250mW high sensitivity coil
- UL/CUR/TUV recognised



Options and ordering codes



*H type only available in 360mW coil

Contact rating

Type	SRB	SRBH
Contact form	1A, 1B, 1C	1A, 1B, 1C
Maximum switching power	1200VA/150W	1680VA/210W
Maximum switching voltage	250VAC/30VDC	
Maximum switching/carry current	5A	7A

UL, CUR and TUV safety approval ratings available on request

Specifications

Contact material	Ag Alloy	
Initial contact resistance	100mΩ Max	
Operate time	10ms Max (at rated voltage)	
Release time	5ms Max (at rated voltage)	
Nominal operating power	Standard approx. 360mW, High sensitivity approx. 250mW	
Insulation resistance	1000MΩ at 500VDC	
Breakdown voltage	Between coil and contacts	Standard 2000VAC (for 1 minute), High isolation 3000VAC (for 1 minute)
	Between open contacts	750VAC (for 1 minute)
Vibration resistance	Operating extremes	10-55Hz, amplitude 1.5mm
	Damage limits	10-55Hz, amplitude 1.5mm
Shock resistance	Operating extremes	10G
	Damage limits	50G
Ambient temperature	-40~+85°C	
Life expectancy	Mechanical	10 x 10 ⁶ operations (frequency 18,000 operations/hour)
	Electrical (at max load)	1 x 10 ⁶ operations (frequency 1,200 operations/hour)
Weight	8g	

