

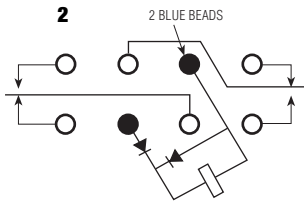
07

**TWO POLE 10 AMP  
HIGH-PERFORMANCE RELAY**

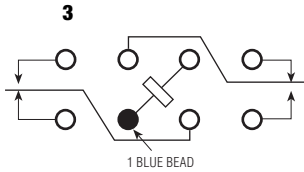
**QUALIFIED TO MIL-R-5757/23  
MS 27245 & MS 27247**

**FEATURES**

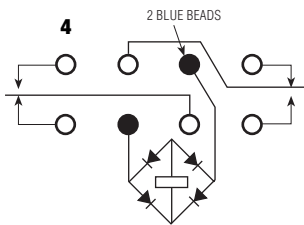
- Hermetically sealed
- Up to 10 amps switching
- High shock & vibration ratings
- Optional terminals & mounting styles
- DC, AC & diode-suppressed coils



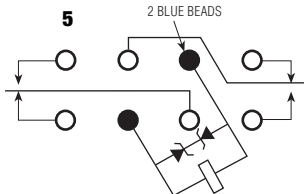
TERMINAL VIEW



TERMINAL VIEW



TERMINAL VIEW



TERMINAL VIEW

**ELECTRICAL CHARACTERISTICS**

**CONTACT ARRANGEMENT**

2 Form C (DPDT)

**CONTACT MATERIAL**

Stationary: Silver cadmium oxide  
Moveable: Silver cadmium oxide

**CONTACT RESISTANCE**

Before Life: 10 milliohms max.  
After life: 20 milliohms max.  
(Measured at 10 A @ 28 Vdc)

**MECHANICAL LIFE EXPECTANCY**

1 million operations

**COIL VOLTAGE**

6 to 120 Vdc,  
115 Vac

**COIL POWER**

4.3 watts max. @ 25°C

**DUTY CYCLE**

Continuous

**PICK-UP VOLTAGE**

Approximately 50% of  
nominal coil voltage

**PICK-UP SENSITIVITY**

565 mW

**CONTACT RATINGS\***

CONTACT LOAD	TYPE	OPERATIONS MIN.
10 A @ 28 Vdc	Resistive	100,000
3 A @ 115 V, 60 Hz	Resistive	50,000
5 A @ 115 V, 400 Hz	Resistive	50,000
6 A @ 28 Vdc	Inductive	50,000
2 A @ 115 V, 60 Hz	Inductive	50,000
2.5 A @ 115 V, 400 Hz	Inductive	50,000
1 A @ 28 Vdc	Lamp	50,000
0.5 A @ 115 V, 60 Hz	Lamp	50,000
0.8 A @ 115 V, 400 Hz	Lamp	50,000
3 A @ 28 Vdc	Motor	50,000
1.5 A @ 115 V, 60 Hz	Motor	50,000
3 A @ 115 V, 400 Hz	Motor	50,000

\*All ratings grounded case

**OPERATING CHARACTERISTICS**

**TIMING**

Operate time:  
Std: 10 ms max.  
QPL: 15 ms max.  
AC Coil: 15 ms max.

**Release Time:**

Std: 10 ms max.  
QPL: 15 ms max.  
AC Coil: 20 ms max.

**CONTACT BOUNCE**

Std: 5 ms max. (N.O. and N.C.)  
QPL: 2 ms max. (N.O.)  
QPL: 5 ms max. (N.C.)

**DIELECTRIC WITHSTANDING VOLTAGE**

Between Open Contacts:  
500 Vrms 60 Hz

Between Adjacent Contacts:  
1000 Vrms 60 Hz

Between Contacts and Coil:  
1000 Vrms 60 Hz

**INSULATION RESISTANCE**

1,000 megohms min. @ 500 Vdc

**ENVIRONMENTAL CHARACTERISTICS**

**TEMPERATURE RANGE**

-65°C TO +125°C

**WEIGHT**

1.3 oz (37 gms) max.

**VIBRATION RESISTANCE**

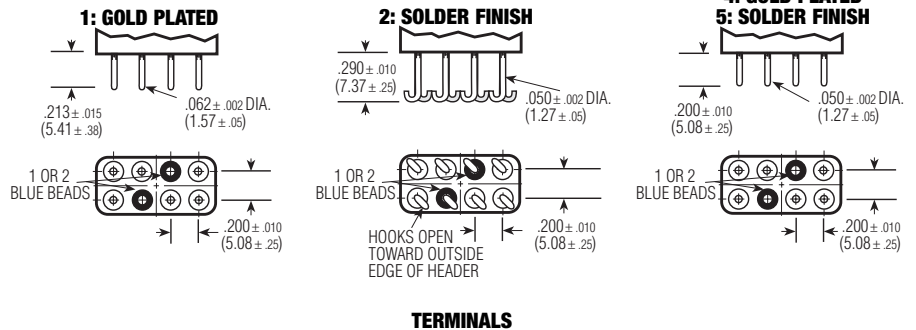
Standard: 30 G's, 10 to 2,000 Hz  
QPL: 20 G's, 10 to 2,000 Hz

**SHOCK RESISTANCE**

100 G's, 6 ± 1 ms

**QPL APPROVAL**

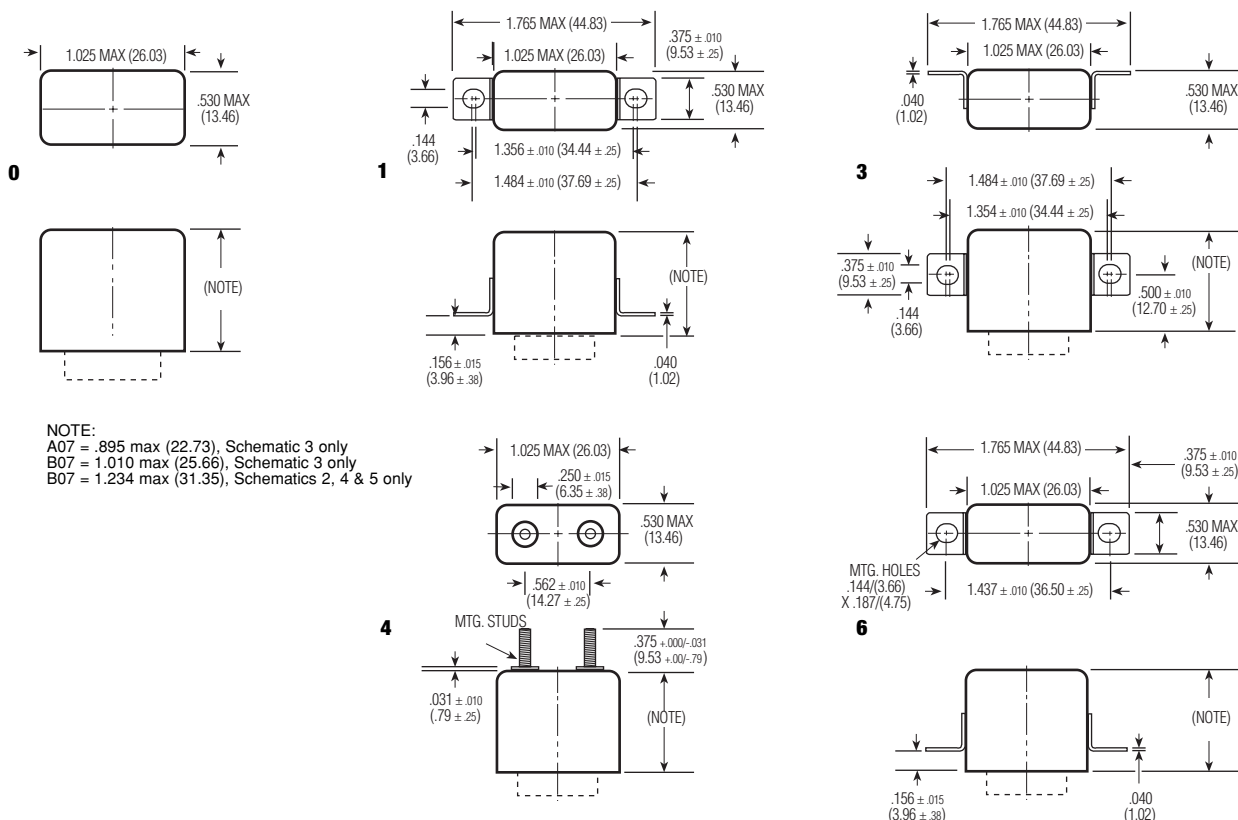
MIL-R-5757/23  
MS 27245  
MS 27247



**TERMINALS**

## COIL DATA

NOM. COIL VOLTAGE (Vdc)	COIL RESISTANCE IN OHMS ±10% @ 25°C	PICKUP VOLTAGE Vdc (MAX.) @ 25°C	PICKUP VOLTAGE Vdc (MAX.) @ 125°C	DROPOUT VOLTAGE Vdc (MIN.) @ 25°C	DROPOUT VOLTAGE Vdc (MIN.) @ -65°C	NOM. COIL POWER (mW) @ 25°C	MAX. COIL VOLTAGE	COIL DESIG.	ENVIRONMENTAL
6.0	19	3.6	4.5	0.4	0.25	1.89	9.0	AA	<b>TEMPERATURE</b>
12.0	75	7.2	9.0	0.9	0.5	1.92	16.0	AB	-55°C to +85°C
26.5	300	14.4	18.0	1.8	1.0	2.34	32.0	AC	<b>VIBRATION</b>
48.0	1,200	29.0	36.0	3.6	2.0	1.92	52.0	AD	20G's, 10 to 2,000Hz
120.0	7,600	72.0	90.0	9.0	5.0	1.89	122.0	AE	<b>SHOCK</b>
115 Vac 400 Hz	1,200	72.0	90.0	10.0	5.0	n/a	n/a	AR	50G's, 11ms
115 Vac 60-400 Hz	7,600	72.0	90.0	10.0	5.0	n/a	n/a	AS	
6.0	19	3.3	4.5	0.4	0.25	1.89	9.0	BA	<b>TEMPERATURE</b>
12.0	75	6.5	9.0	0.9	0.5	1.92	16.0	BB	-65°C to +125°C
26.5	300	13.0	18.0	1.8	1.0	2.34	32.0	BC	<b>VIBRATION</b>
48.0	1,200	26.0	36.0	3.6	2.0	1.92	52.0	BD	20G's, 10 to 2,000Hz
120.0	7,600	66.0	90.0	9.0	5.0	1.89	122.0	BE	<b>SHOCK</b>
115 Vac 400 Hz	1,200	75.0	90.0	10.0	5.0	n/a	n/a	BR	50G's, 11ms
115 Vac 60-400 Hz	7,600	75.0	90.0	10.0	5.0	n/a	n/a	BS	
6.0	19	3.7	5.0	0.4	0.25	1.89	9.0	CA	<b>TEMPERATURE</b>
12.0	75	7.4	10.0	0.9	0.5	1.92	16.0	CB	-65°C to +125°C
26.5	300	14.7	20.0	1.8	1.0	2.34	32.0	CC	<b>VIBRATION</b>
48.0	1,200	29.4	40.0	3.6	2.0	1.92	52.0	CD	30G's, 10 to 2,000Hz
120.0	7,600	74.0	100.0	9.0	5.0	1.89	122.0	CE	<b>SHOCK</b>
115 Vac 400 Hz	1,200	80.0	100.0	10.0	5.0	n/a	n/a	CR	100G's, 6ms
115 Vac 60-400 Hz	7,600	80.0	100.0	10.0	5.0	n/a	n/a </tr		



### 07 MOUNTING STYLES

**SPECIFYING A PART NUMBER EXAMPLE:**

TYPE	RATINGS	MOUNTINGS	SCHEMATIC	TERMINALS	COIL	TESTING
B07	B	3	3	2	BC	1