

# RELAYS AND CONTACTORS

## General Purpose Relays-Type 91

Type 91



STANCOR PART NUMBER	Pole Form	Coil Voltage	Circuit Rating Terminals		Power Rating		DIMENSIONS-INCHES			Weight (oz.)	Agency * Certification
			1-2-3	4-5-6	Inductive	Resistive	L	Case W	H		
A 91-901	DPDT	24	Power		12 Amp. Continuous 60 Amp. Inrush 125 V.A.C.	15 Amp. 277 V.A.C. Max.	1.90	2.10	2.40	6.0	UL/CSA
91-902	DPDT	120	Power				1.90	2.10	2.40	6.0	UL/CSA
91-903	DPDT	208/240	Power				1.90	2.10	2.40	6.0	UL/CSA

\* Agency Certification Note: UL Recognized (File E12139)  
CSA Certified (File LR 13360)

For schematic diagram and outline drawings refer to page 63.

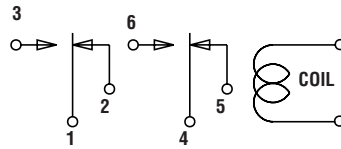


### Engineering Design Data

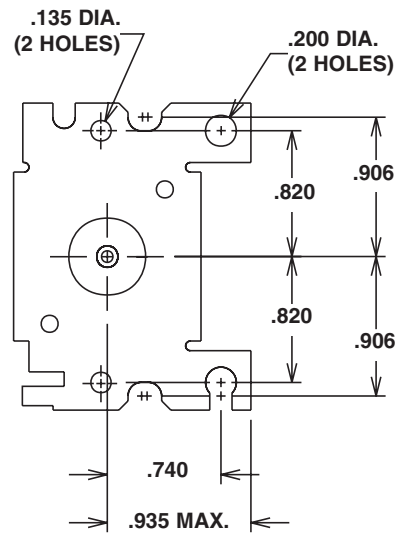
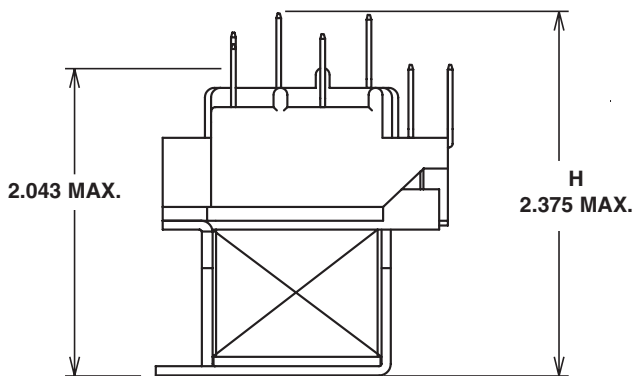
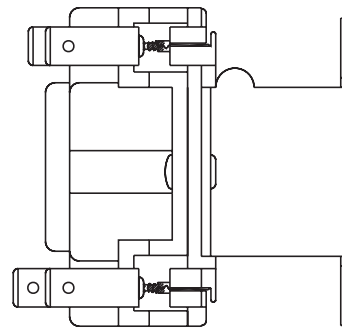
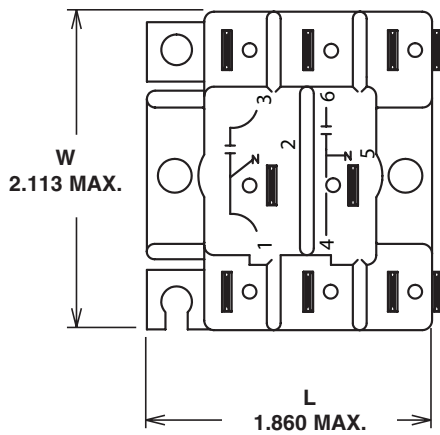
A.C. Type	Magnet Coil Rating (Volt Amperes)			Operation in % Nom. Coil Voltage Rating		Breakdown Voltages All Terminals - 60 Hz RMS			Contact Material		Electrical Life		Mechanical Life		Max. Oper. Amb. °F
	Inrush	Sealed Nom.	Max.	Pick-up	Max. Safe Operate	Opposite Polarity	Open Contacts Same Polarity	To Ground	Power	Pilot	Oper. At Rated Load	Oper. Per Min.	Oper. At No Load	Oper. Per Min.	
91	24	8	10	85%	110%	1500	1000	1500	Silver Alloy	Fine Silver Alloy	100,000†	6	750,000	60	130

† Load tests – making inrush ratings (0.4 to 0.5 P.F.) – breaking 125% continuous rating (0.65 to 0.8 P.F.)

**Schematic  
91 DPDT**



**Type 91**



BOTTOM VIEW