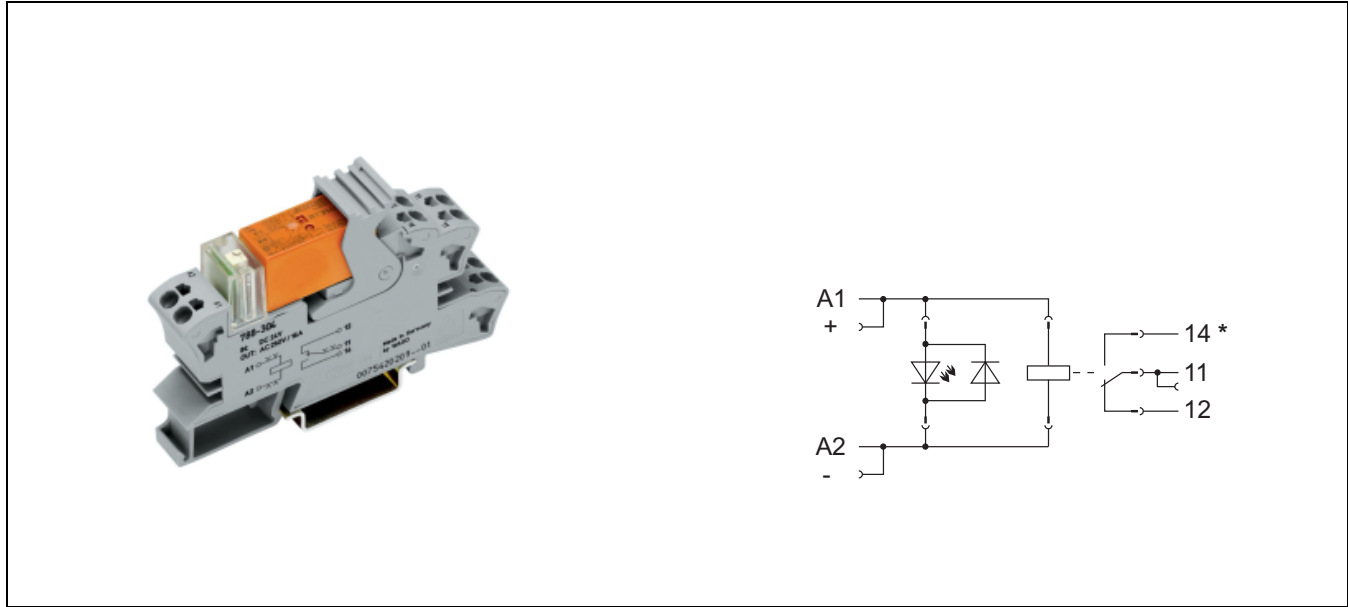


Relay Socket with Small Switching Relay

1/2

Socket with relay (1 changeover contact) and status indication

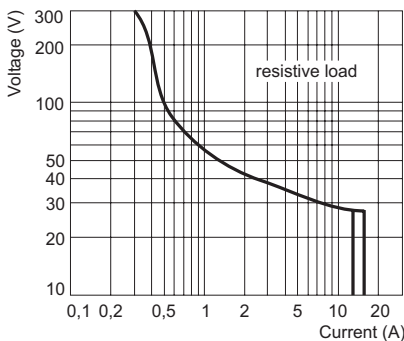
Data sheet



Description	Item-No.	Pack.-unit pcs
Socket with relay, DC 24 V, 1 changeover contact	788-304	1

- Relay socket for DIN 35 carrier rails.
- Status indication through pluggable LED module (red).
- Insulated, pluggable jumper system suitable for both coil and load side.
- CAGE CLAMP® S connection. Solid wires, fine-stranded wires with crimped ferrules or ultrasonically bonded wire ends can be inserted directly.
- Quick exchange of the relay and the status indication during maintenance, without having to detach the wiring.
- Safe electrical isolation in accordance with DIN VDE 0140 Part 1.

DC-Load limiting value graph



Note: Inductive loads have to be attenuated by an appropriate protective circuit in order to protect relay coils and contacts !

Technical Data

Contact material	AgNi 90/10
Input nominal voltage U_N	DC 24 V
Input voltage range	$U_N \pm 10\%$
Current input at U_N (20 °C)	19 mA
Max. switching voltage	AC 250 V
Max. making current (resistive)	
at 10 % continuous duty	4 s (AC) 30 A
Max. continuous current	16 A
Max. switching power	
(resistive)	AC 4000 VA
(resistive)	DC see load limiting value graph
Max. number of switching operations with/without load	6 min ⁻¹ / 1200 min ⁻¹
Operating power	400 mW _{typ.}
Pull-in/dropout/bounce time _{typ.}	7 ms / 3 ms / 3 ms
Operation at normal rating	100 % continuous duty
Dielectric strength	
contact/coil	5 kV
open contact	1 kV
Nominal voltage acc. to VDE 0110 Part1 / 4.97	
IEC 60664-1	250 V / 4 kV / 3
Mechanical life	30 x 10 ⁶ switching operations
Degree of protection	IP 20
Relay type	RT 1
Ambient operating temperature	-25 °C ... +50 °C
Storage temperature	-40 °C ... +70 °C
Dimensions (WxHxD)	(15x53**x86) mm / (0.59x2.09x3.39) in
	** from upper edge of DIN 35 rail

The terminals 11-11, 12-12 and 14-14 are bridged only when the Relay is inserted into the socket.

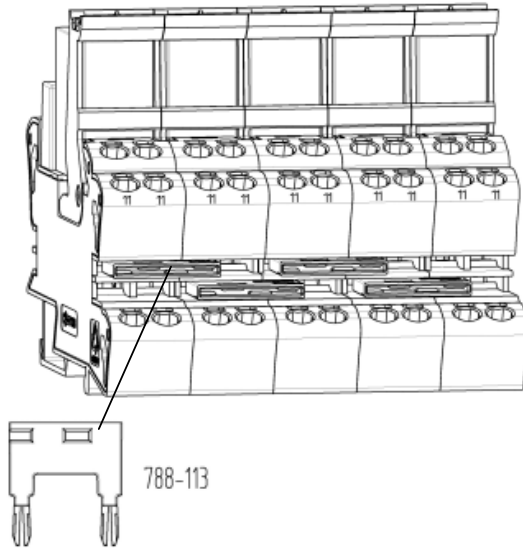
Relay Socket with Small Switching Relay

2/2

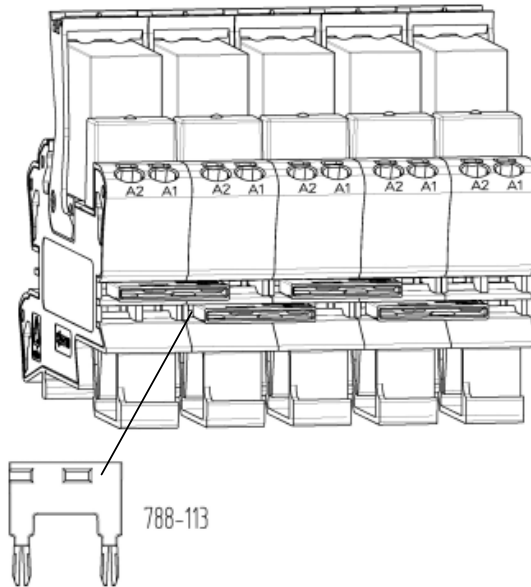
Socket with relay (1 changeover contact) and status indication

Data sheet

Commoning possibilities on the contact side:
-relay spanning contacts 11/11



Commoning possibilities on the coil side:
-contacts A2/A2



Wire connection	CAGE CLAMP® S 0,34-2,5 mm ² / AWG 22-12
Stripped length	9-10 mm / 0.37 in
Standards / prescriptions	DIN VDE 0140 Part1, DIN EN 61140 DIN VDE 0160, EN 50178 Class of protection II
Approvals	cUL _{us} UL508 / CSA22.2 E175199 Only use replacement relay 788-154 for UL applications (see accessories)
Accessories:	
Comb type jumper bar	
18 A, 2-way	788-113
18 A, 3-way	788-114
18 A, 4-way	788-115
18 A, 6-way	788-116
18 A, 8-way	788-117
18 A, 2-way	859-402
Operat. indication DC 12-24 V	788-120
Relay RT1, 1 CO	788-154
WMB Multi marking system	(General catalogue W3 Vol.1 Chapt.8)