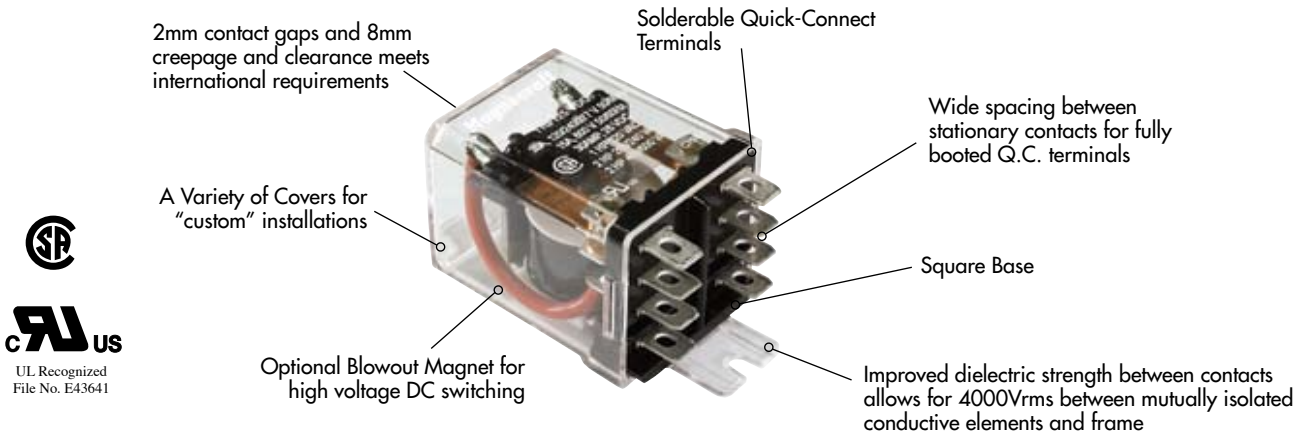


300 Series Power Relays/Two Pole 30 Amp Rating (DC and AC)



General Specifications

(UL 508)

Contact Characteristics		Units	Standard	SPST-NO-DM
Number and type of Contacts			SPST, SPDT, DPST, DPDT	SPST-NO-DM
Contact materials			Silver Alloy	Silver Alloy
Thermal (Carrying) Current		A	30	30
Maximum Switching Voltage		V	600V	600V
Switching current @ voltage		~	Resistive 30A @ 300V 50/60Hz	30A @ 300V 50/60Hz
		⋮	Resistive 30A @ 28V	30A @ 28V
			HP 2 @ 208-600 VAC	2 @ 208-600 VAC
			HP 1 @ 120 VAC	1 @ 120 VAC
			Pilot Duty 5.5 A @ 120 VAC	5.5 A @ 120 VAC
Current rating with magnetic blowout		⋮	3 @ 150V ('69' Suffix)	10 @ 150V ('69' Suffix)
Minimum Switching Requirement		mA	500 @ 12 VAC/VDC	500 @ 12 VAC/VDC
Minimum				
Coil Characteristics				
Voltage Range		~	6...240	6...240
		⋮	6...125	6...125
Operating Range		~	85% to 110%	85% to 110%
		⋮	80% to 110%	80% to 110%
Average consumption		~	3.4 VA	3.4
		⋮	1.5 W	1.5
Drop-out voltage threshold		~	30%	30%
		⋮	10%	10%
Performance Characteristics				
Electrical Life (UL 508)		(Resistive)	30,000	30,000
Mechanical Life		Operations @ Rated Current	5,000,000	5,000,000
Operating time (response time)		Unpowered	ms 20	20
Dielectric		~	2500 V	2500
		~	4000 V	4000
		~	2500 V	2500
		~	2500 V	2500
Environment				
Product certifications			UL, CSA	UL, CSA
Ambient air temperature around the device		Standard version	°C -40...+85	-40...+85
		Storage	°C -40...+55	-40...+55
Weight		Operation	grams 85	85

Part Number Builder

300 Series	XBX Configuration	DC Switching Option
300 = Standard	XAX = SPDT	69 = Magnetic Blowouts near contacts
F300 = Class F Coil	BXX = DPST-NO	
	XXB = DPST-NC	
	HXX = SPST-NO-DM	



300BXC1



300BXC4

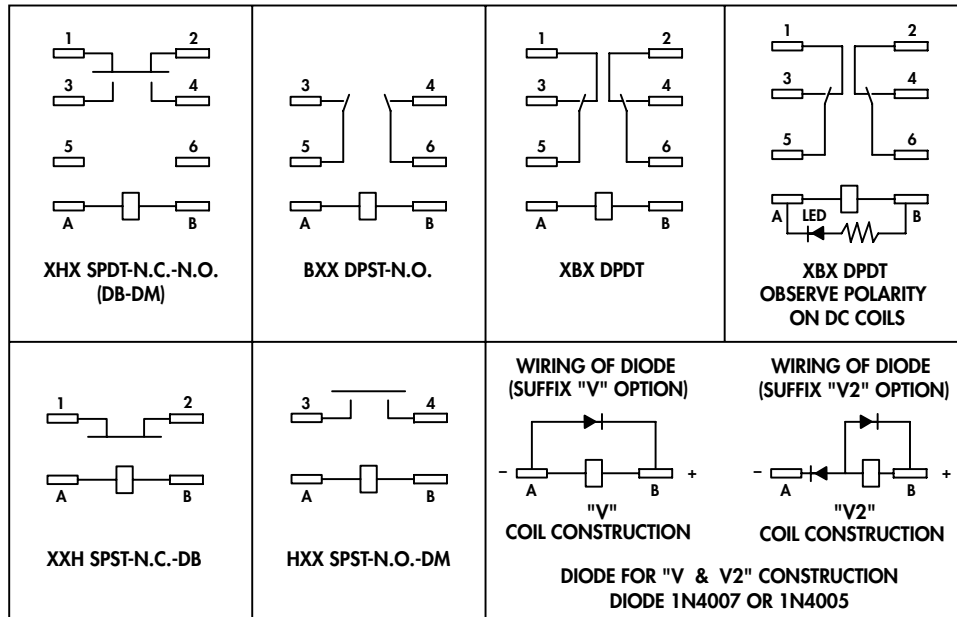
Available DIN rail mountable cover

Standard Part Numbers

BOLD-FACED PART NUMBERS ARE NORMALLY STOCKED

Nominal Input Voltage	Coil Resistance (OHMS)	Part Number	Contact Configuration
220/240 VAC, 50/60 Hz	5400 Ω	300BXC1-240A	DPDT
110/120 VAC, 50/60 Hz	1270 Ω	300BXC1-120A	DPDT
24 VAC, 50/60 Hz	54 Ω	300BXC1-24A	DPDT
12 VAC, 50/60 Hz	13.5 Ω	300BXC1-12A	DPDT
110/125 VDC	6300 Ω	300BXC1-110D	DPDT
24 VDC	300 Ω	300BXC1-24D	DPDT
12 VDC	75 Ω	300BXC1-12D	DPDT
110/125 VDC	6300 Ω	300BX69C1-110D	DPDT
24 VDC	300 Ω	300BX69C4-24D	DPDT
12 VDC	75 Ω	300BX69C1-12D	DPDT

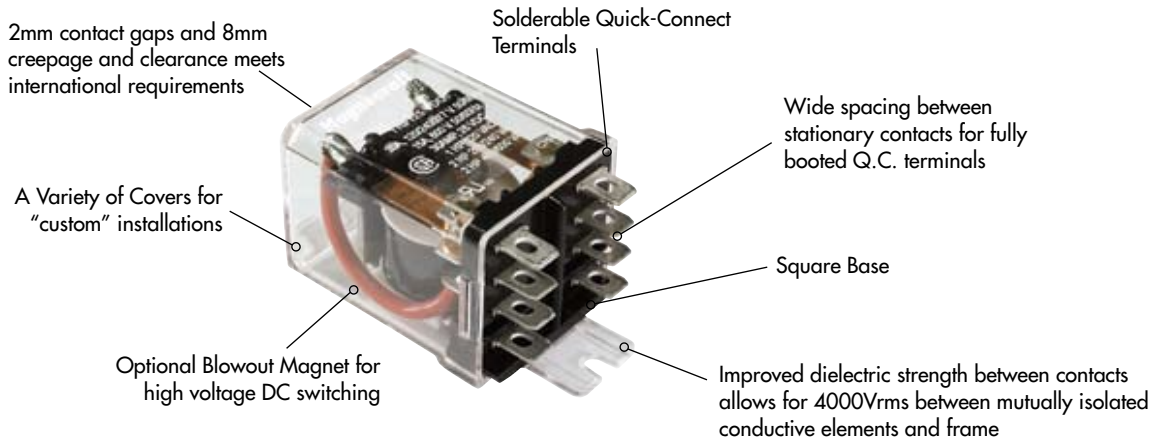
WIRING DIAGRAMS



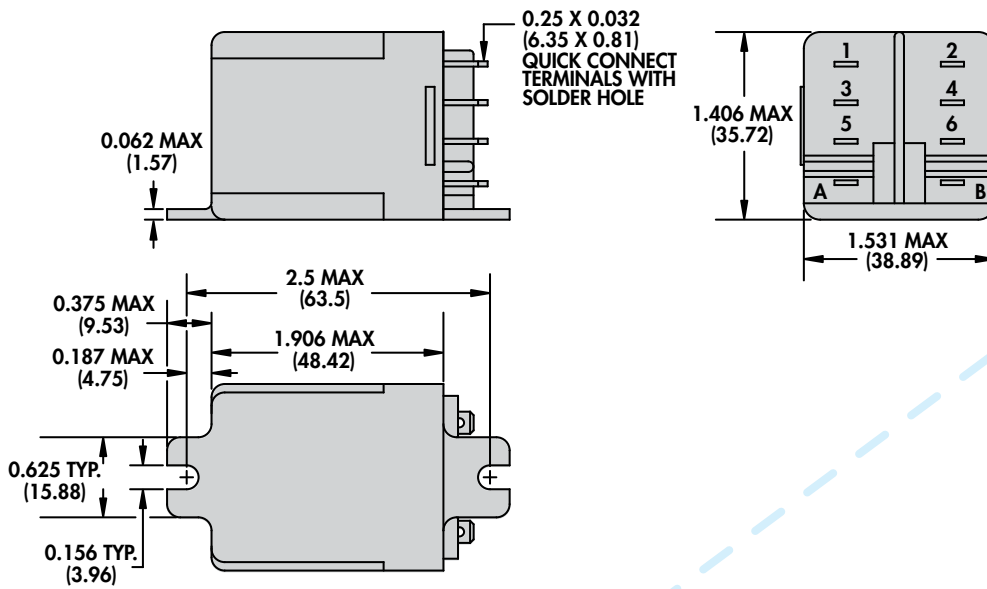
C1 Cover	Options*	-12 Coil Voltage	D Current Type
C = Clear polycarbonate cover (To be used with PC Terminals)	M = Manual Operator	Coil Voltage	A = AC
C1 = Side flange mount cover	L = Lamp across contacts		D = DC
C2 = Cover with anti-rotation tabs and thread mounting hole in frame	T = Printed wiring terminals		
C3 = Top flanged cover			
C4 = Top DIN mount cover			

*Multiple Codes May be Used

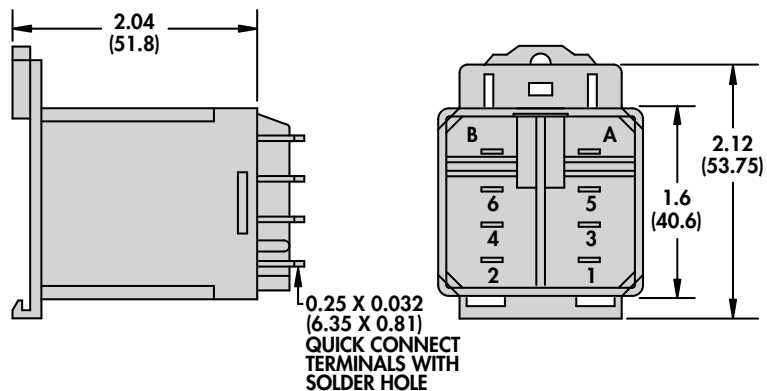
300 Series Power Relays/Two Pole 30 Amp Rating (DC and AC) *continued*



SIDE MOUNTING COVER STYLE



DIN RAIL MOUNTED STYLE



SECTION 6



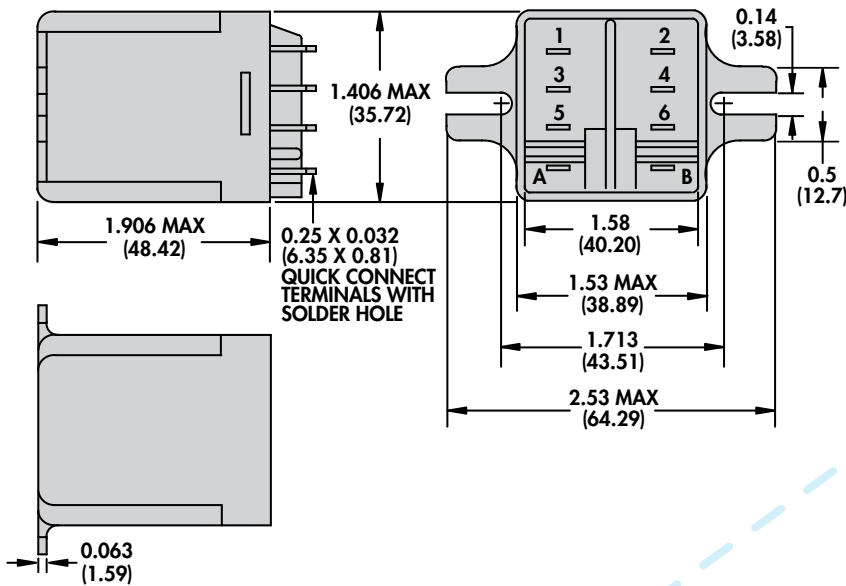
300BXC1



300BXC4

Available DIN rail mountable cover

TOP FLANGE COVER STYLE



PRINTED CIRCUIT TERMINAL

