

## UMK-BE 45

Order No.: 2970015

The illustration shows a combination of versions UMK SE 11,25, UMK BE 11,25,- 22,5, -45 and UMK-FE



<http://eshop.phoenixcontact.co.uk/phoenix/treeViewClick.do?UID=2970015>

Electronic board base, plug-in module base element

### Commercial data

Pack	10
Customs tariff	85369010
Weight/Piece	15.77 g
Catalog page information	Page 566 (CC-2007)

### Product notes

WEEE/RoHS-compliant since:  
01/01/2003



Please note that the data given here has been taken from the online catalog. For comprehensive information and data, please refer to the user documentation at <http://www.download.phoenixcontact.com>. The General Terms and Conditions of Use apply to Internet downloads.

### Technical data

#### General

Housing type	Panel mounting base
Housing material	Polyamide
Color	green

#### Dimensions / positions

Length	77 mm
--------	-------

Width	56.25 mm
Number of positions	999

**Technical data**

Ambient temperature (operation)	-40 °C ... 105 °C
Inflammability class acc. to UL 94	V2

**Accessories**

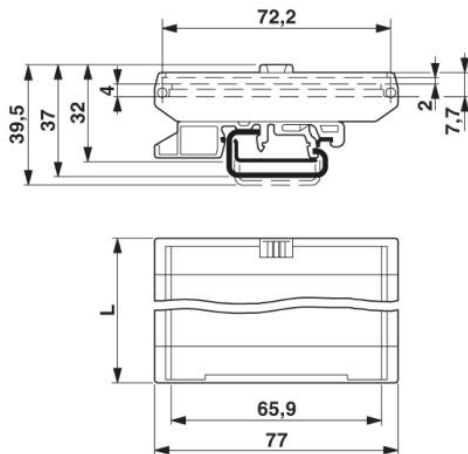
Item	Designation	Description
<b>Assembly</b>		
2976077	UMK-BF	Mounting flange, for mounting directly on the wall

**General**

2971535	UMK-BE 11,25	Electronic board base, plug-in module base element
2970028	UMK-BE 22,5	Electronic board base, plug-in module base element
2970031	UMK-FE	Foot element, for mounting on DIN rail NS 32 or DIN rail NS 35/7.5, can be inserted between base and side element

**Drawings**

Dimensioned drawing



UMK-BE 45 Order No.: 2970015

<http://eshop.phoenixcontact.co.uk/phoenix/treeViewClick.do?UID=2970015>

---

**Address**

PHOENIX CONTACT Ltd  
Halesfield 13  
Telford / Shropshire / TF7 4PG, England  
Phone 01952 681 700  
Fax 01952 681 799  
<http://www.phoenixcontact.co.uk>



Phoenix Contact Ltd.  
Technical modifications reserved;