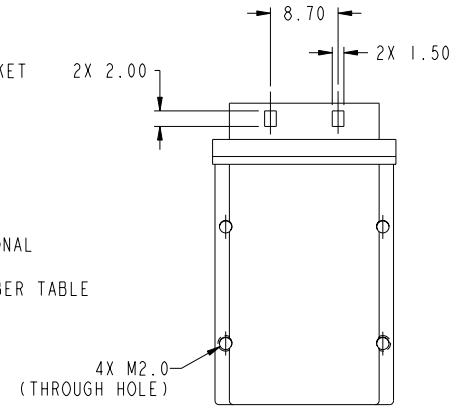
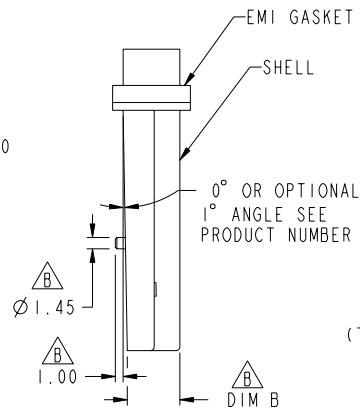
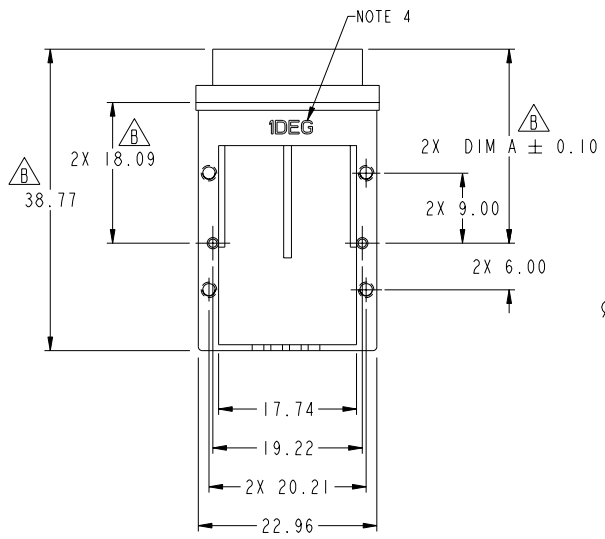
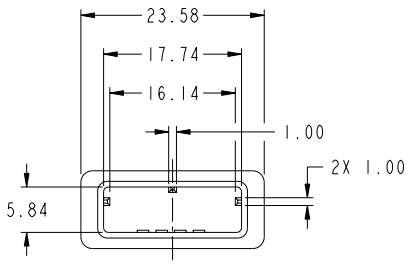


PRODUCT NUMBER
SEE TABLE



rev	ecn no	dr	date
A	V09-0420	RE	2009-08-20
B	V09-0550	MRG	2009-11-20
-	-	-	-
-	-	-	-
-	-	-	-

www.fciconnect.com		surface - / tolerance std ASME Y14.5	projection	MM
		TOLERANCES UNLESS OTHERWISE SPECIFIED	size A3	Scale 2:1
Dr	S. MANOHARAN	2009-03-25	ANGULAR	0.X ±0.10
Eng	J. SHUEY	2009-03-25	LINEAR	0.XX ±0.05
Chr	J. SHUEY	2009-03-25	0° ±1°	0.XXX ±
Appr	J. SHUEY	2009-03-25	Product family	MINI-SAS
FCI SINGLE PORT CAGE			Spec ref	-
MINI-SAS CONNECTOR			dwg no	10098871
catalog no			CUSTOMER	Rev. B
			STATUS Released	sheet 1 of 3

Copyright FCI

REV F - 2009-04-17

FDM: Rev:B STATUS Released Printed: Jun 18, 2010

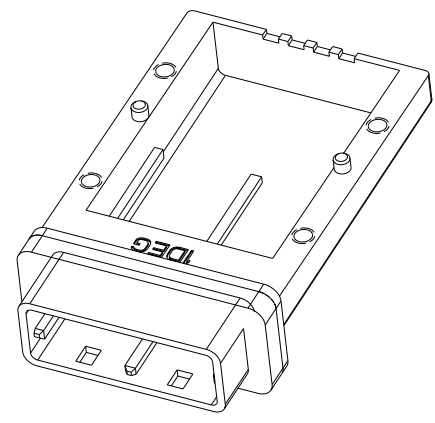
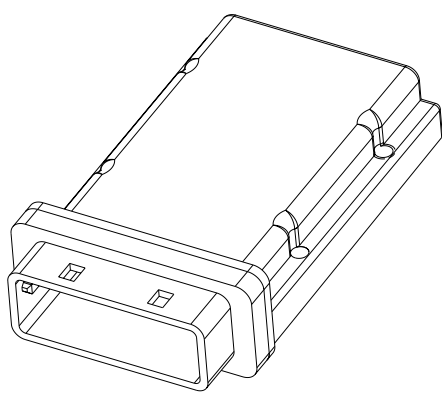
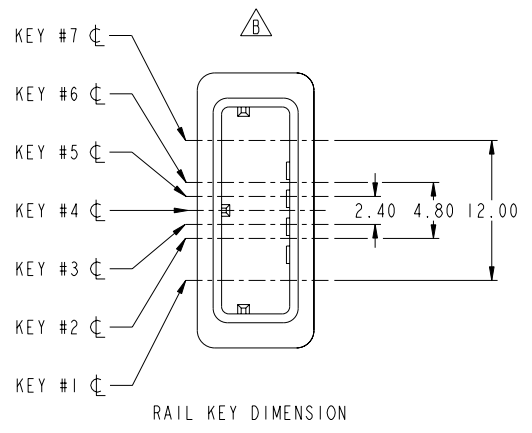
PRODUCT NUMBER	DIM A	DIM B	GASKET INCLUDED	STYLE	RAIL KEY POSITION
10098871-1102LF	25.09	7.42	YES	WITH POST, 0 DEGREE	#4
10098871-1302LF	24.96	6.88	YES	WITH POST, 1 DEGREE	#4

NOTES:

- ① SHELL MATERIAL: ZINC ALLOY
PLATING: 3.81µm NICKEL MIN.

EMI GASKET MATERIAL: FLEXIBLE CONDUCTIVE MATERIAL
- 2. PRODUCT SPECIFICATION: GS-12-548
- 3. APPLICATION SPECIFICATION: GS-20-124
- ④ PRODUCT NUMBER 10098871-1302LF WILL BE MARKED WITH "1 DEG". PRODUCT NUMBER 10098871-1102LF WILL NOT HAVE A MARKING.
- 5. PRODUCT MEETS EUROPEAN UNION DIRECTIVES AND OTHER COUNTRY REGULATIONS AS DESCRIBED IN GS-22-008.

⑥ A \triangle SYMBOL WILL BE NEXT TO ANY DIMENSION, VIEW, OR NOTE, WHICH HAS BEEN MODIFIED WITH THE CURRENT DRAWING REVISION.

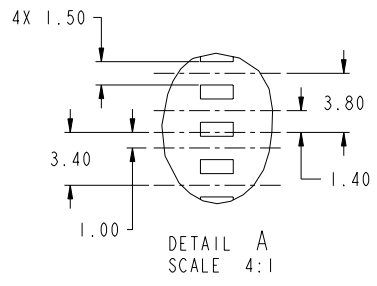
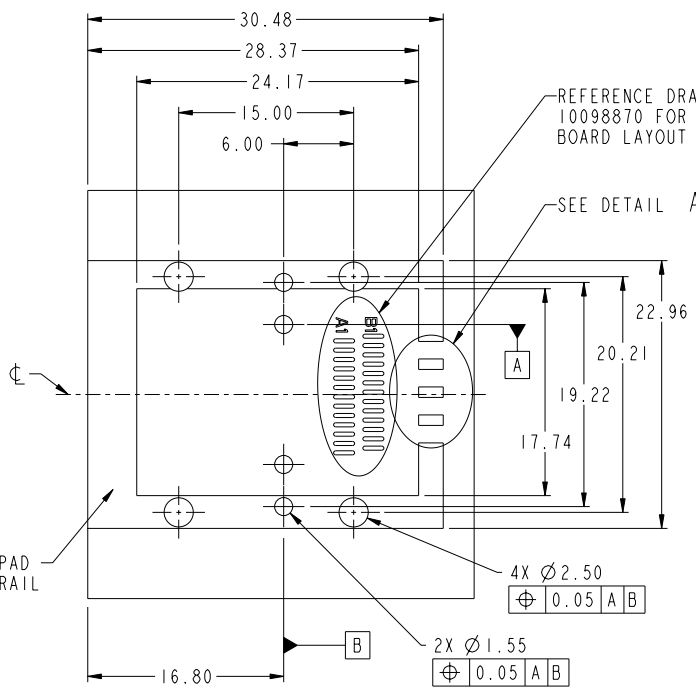


FCI	TITLE	SINGLE PORT CAGE	dwg no	10098871	Rev.	B
		MINI-SAS CONNECTOR				
	catalog no			CUSTOMER	sheet 2 of 3	

Copyright FCI. FCI

REV F - 2006-04-17

PRODUCT NUMBER
SEE TABLE



	TITLE	SINGLE PORT CAGE	dwg no	10098871	Rev.	
		MINI-SAS CONNECTOR				B
	CATALOG NO		CUSTOMER		SHEET 3 OF 3	

PDM: Rev:B STATUS Released Printed: Jun 18, 2010

Copyright FCI

REV F - 2006-04-11