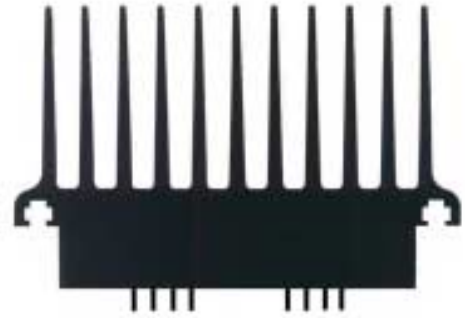




# DATA SHEET

## HY2004 120 WATTS



The ILP HY2004 Power Amplifier is a fully encapsulated high quality power amplifier with Integral heatsink.

By selecting the appropriate mains transformer and programming link the amplifier can be used with 4 or 8Ω loads with the automatic adjustment of input sensitivity.

Mounting can be achieved by the use of T-slots in the heatsink and the nuts and bolts provided.

TYPICAL SPECIFICATIONS	
Parameter	Value
Output Power	150W rms. Max
Frequency Response (-3dB)	15Hz - 50kHz
Total Harmonic Distortion @ 1kHz	0.005%
Signal to Noise Ratio (DIN AUDIO)	100dB
Slew Rate typical	20V/μS
Rise Time	5μS
Input Sensitivity	500mV rms.
Input Impedance	100KΩ
Damping Factor(8Ω @ 100Hz)	>400
Load Impedance (programmable)	4 or 8Ω
Maximum D.C. rails (8Ω load)	±55V
Size Width x Height x Extrusion Cut	120x75x80mm
Weight	835g

- FEATURES
- Programmable 4 or 8Ω operation
- Enhanced specifications
- Anti-thump Circuitry
- Integral heatsink
- Thermal Protection
- PTH Circuit Board
- Encapsulated

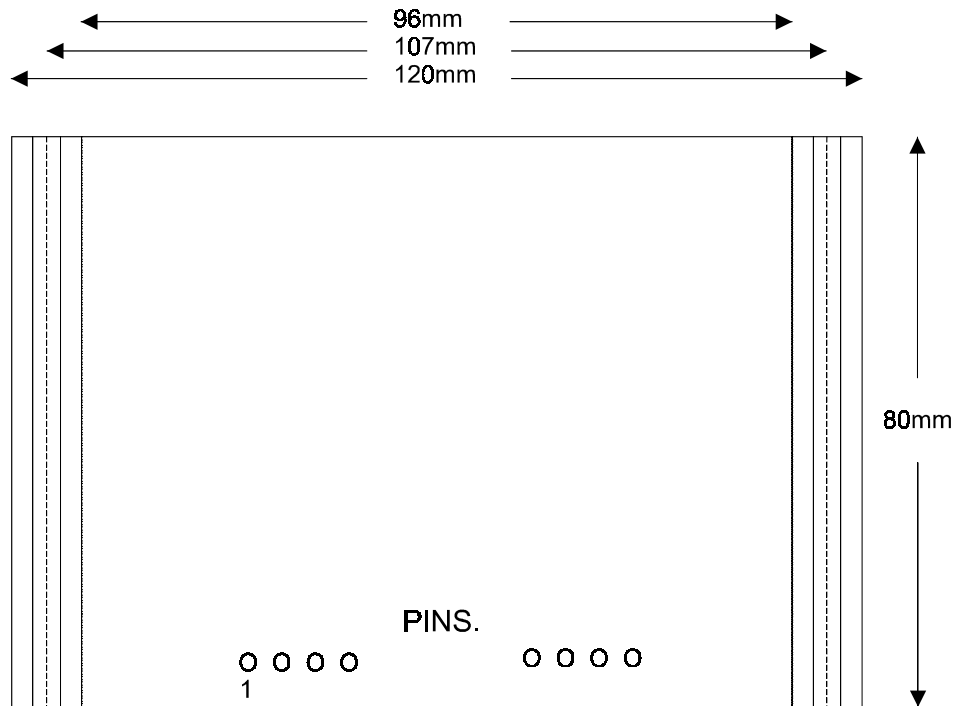
### POWER SUPPLY REQUIREMENTS

ILP have developed a range of Hi-Fi quality Low noise Audio Power Toroidal Transformers for the HY2004 they are Low Profile with Resin filled centres for maximum noise absorption and ease of mounting. Finished in black to match the amplifiers these transformers are the ideal choice to power the HY2004.

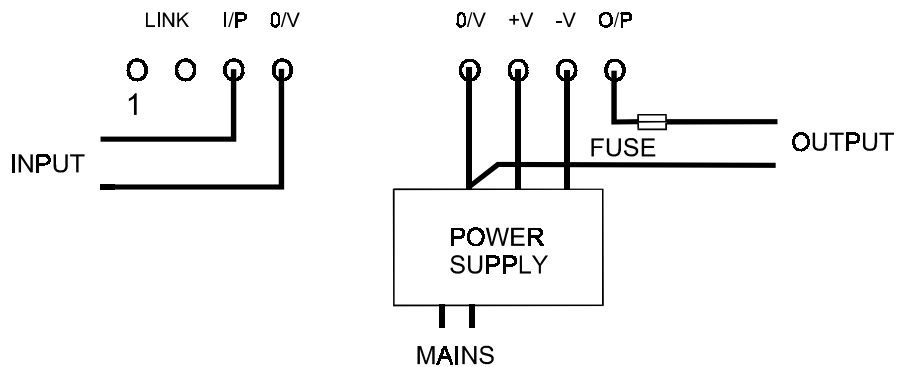
Mode	Transformer	RMS Supply Voltage	Size	Weight
4Ω	AT1204	32 - 0 - 32v	110x50mm	2.1Kg
8Ω	AT1208	40 - 0 - 40v	110x50mm	2.1Kg

SPONG LANE ELMSTED ASHFORD KENT TN25 5JU  
 PHONE +44 (0)1233 750481 FAX +44 (0)1233 750578

# ELECTRICAL / MECHANICAL DETAILS AND DIMENSIONS INSTALLATION NOTES



## PIN TERMINATIONS



1. For normal usage and conditions the amplifier needs no supplementary heatsink.
2. It must be mounted to allow a vertical flow of air through the fins.
3. No input capacitor is required. An internal 100V working capacitor is fitted.
4. For loudspeaker protection it is recommended that a quickblow fuse is mounted between the output and the speaker. The fuse rating specified has been calculated to ensure fast rupture in the event of DC being presented to the speaker. It is advised not to use a higher rated fuse.
5. The amplifier module is supplied in 4Ω mode. To set 8Ω mode simply make a link between the two pads marked 'link'.
6. For 4Ω mode use a 3.15A quickblow fuse and for 8Ω a 2.5A quickblow fuse.