

LM45

SOT-23 Precision Centigrade Temperature Sensors

General Description

The LM45 series are precision integrated-circuit temperature sensors, whose output voltage is linearly proportional to the Celsius (Centigrade) temperature. The LM45 does not require any external calibration or trimming to provide accuracies of $\pm 2^\circ\text{C}$ at room temperature and $\pm 3^\circ\text{C}$ over a full -20 to $+100^\circ\text{C}$ temperature range. Low cost is assured by trimming and calibration at the wafer level. The LM45's low output impedance, linear output, and precise inherent calibration make interfacing to readout or control circuitry especially easy. It can be used with a single power supply, or with plus and minus supplies. As it draws only $120\ \mu\text{A}$ from its supply, it has very low self-heating, less than 0.2°C in still air. The LM45 is rated to operate over a -20° to $+100^\circ\text{C}$ temperature range.

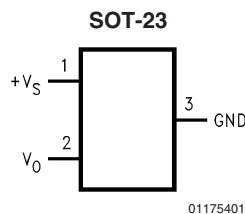
Applications

- Battery Management
- FAX Machines
- Printers
- Portable Medical Instruments
- HVAC
- Power Supply Modules
- Disk Drives
- Computers
- Automotive

Features

- Calibrated directly in $^\circ\text{C}$ (Centigrade)
- Linear $+ 10.0\ \text{mV}/^\circ\text{C}$ scale factor
- $\pm 3^\circ\text{C}$ accuracy guaranteed
- Rated for full -20° to $+100^\circ\text{C}$ range
- Suitable for remote applications
- Low cost due to wafer-level trimming
- Operates from 4.0V to 10V
- Less than $120\ \mu\text{A}$ current drain
- Low self-heating, 0.20°C in still air
- Nonlinearity only $\pm 0.8^\circ\text{C}$ max over temp
- Low impedance output, $20\ \Omega$ for $1\ \text{mA}$ load

Connection Diagram



Top View
See NS Package Number mf03a

Order Number	Device Top Mark	Supplied As
LM45BIM3	T4B	1000 Units on Tape and Reel
LM45BIM3X	T4B	3000 Units on Tape and Reel
LM45CIM3	T4C	1000 Units on Tape and Reel
LM45CIM3X	T4C	3000 Units on Tape and Reel

Typical Applications

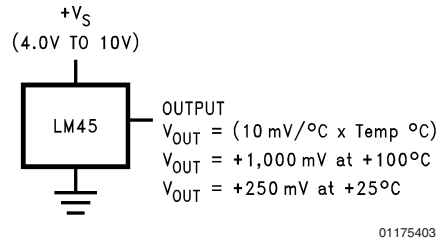
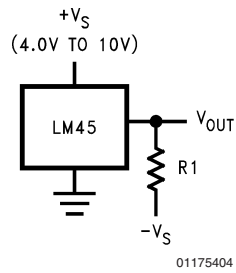


FIGURE 1. Basic Centigrade Temperature Sensor (+2.5°C to +100°C)



Choose $R_1 = -V_S/50 \mu\text{A}$
 $V_{OUT} = (10 \text{ mV}/^{\circ}\text{C} \times \text{Temp } ^{\circ}\text{C})$
 $V_{OUT} = +1,000 \text{ mV at } +100^{\circ}\text{C}$
 $= +250 \text{ mV at } +25^{\circ}\text{C}$
 $= -200 \text{ mV at } -20^{\circ}\text{C}$

FIGURE 2. Full-Range Centigrade Temperature Sensor (-20°C to +100°C)

Absolute Maximum Ratings (Note 1)

Supply Voltage	+12V to -0.2V
Output Voltage	+V _S + 0.6V to -1.0V
Output Current	10 mA
Storage Temperature	-65°C to +150°C
ESD Susceptibility (Note 3):	
Human Body Model	2000V
Machine Model	250V

Operating Ratings (Note 1)

Specified Temperature Range (Note 4)	T _{MIN} to T _{MAX} -20°C to +100°C
LM45B, LM45C	
Operating Temperature Range	LM45B, LM45C -40°C to +125°C
Supply Voltage Range (+V _S)	+4.0V to +10V

Soldering process must comply with National Semiconductor's Reflow Temperature Profile specifications. Refer to www.national.com/packaging. (Note 2)

Electrical Characteristics

Unless otherwise noted, these specifications apply for +V_S = +5Vdc and I_{LOAD} = +50 μA, in the circuit of *Figure 2*. These specifications also apply from +2.5°C to T_{MAX} in the circuit of *Figure 1* for +V_S = +5Vdc. **Boldface limits apply for T_A = T_J = T_{MIN} to T_{MAX}**; all other limits T_A = T_J = +25°C, unless otherwise noted.

Parameter	Conditions	LM45B		LM45C		Units (Limit)
		Typical	Limit (Note 5)	Typical	Limit (Note 5)	
Accuracy (Note 6)	T _A =+25°C T _A =T _{MAX} T _A =T _{MIN}		±2.0 ±3.0 ±3.0		±3.0 ±4.0 ±4.0	°C (max) °C (max) °C (max)
Nonlinearity (Note 7)	T _{MIN} ≤ T _A ≤ T _{MAX}		±0.8		±0.8	°C (max)
Sensor Gain (Average Slope)	T _{MIN} ≤ T _A ≤ T _{MAX}		+9.7 +10.3		+9.7 +10.3	mV/°C (min) mV/°C (max)
Load Regulation (Note 8)	0 ≤ I _L ≤ +1 mA		±35		±35	mV/mA (max)
Line Regulation (Note 8)	+4.0V ≤ +V _S ≤ +10V		±0.80 ±1.2		±0.80 ±1.2	mV/V (max) mV/V (max)
Quiescent Current (Note 9)	+4.0V ≤ +V _S ≤ +10V, +25°C +4.0V ≤ +V _S ≤ +10V		120 160		120 160	μA (max) μA (max)
Change of Quiescent Current (Note 9)	4.0V ≤ +V _S ≤ 10V		2.0		2.0	μA (max)
Temperature Coefficient of Quiescent Current			+2.0		+2.0	μA/°C
Minimum Temperature for Rated Accuracy	In circuit of <i>Figure 1</i> , I _L =0		+2.5		+2.5	°C (min)
Long Term Stability (Note 10)	T _J =T _{MAX} , for 1000 hours		±0.12		±0.12	°C

Note 1: Absolute Maximum Ratings indicate limits beyond which damage to the device may occur. DC and AC electrical specifications do not apply when operating the device beyond its rated operating conditions.

Note 2: Reflow temperature profiles are different for lead-free and non-lead-free packages.

Note 3: Human body model, 100 pF discharged through a 1.5 kΩ resistor. Machine model, 200 pF discharged directly into each pin.

Note 4: Thermal resistance of the SOT-23 package is 260°C/W, junction to ambient when attached to a printed circuit board with 2 oz. foil as shown in *Figure 3*.

Note 5: Limits are guaranteed to National's AOQL (Average Outgoing Quality Level).

Note 6: Accuracy is defined as the error between the output voltage and 10 mV/°C times the device's case temperature, at specified conditions of voltage, current, and temperature (expressed in °C).

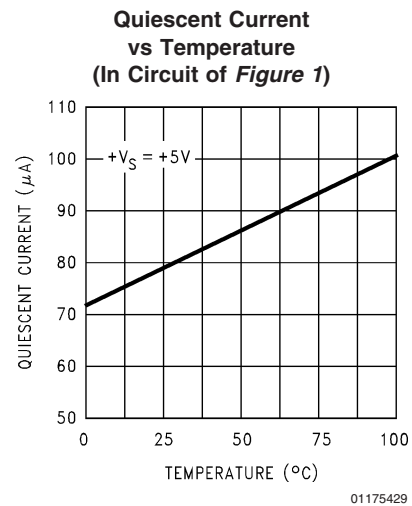
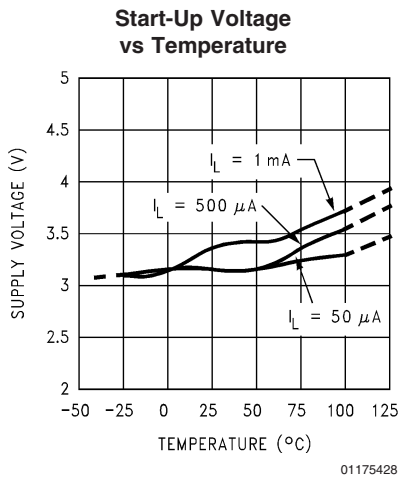
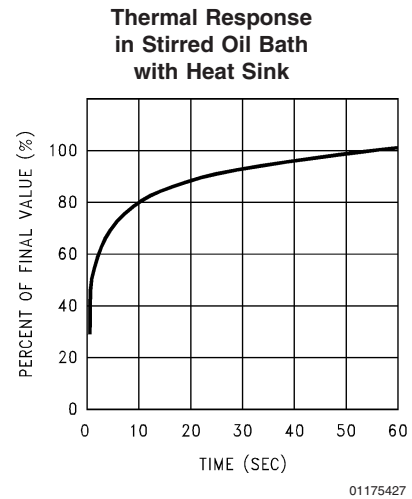
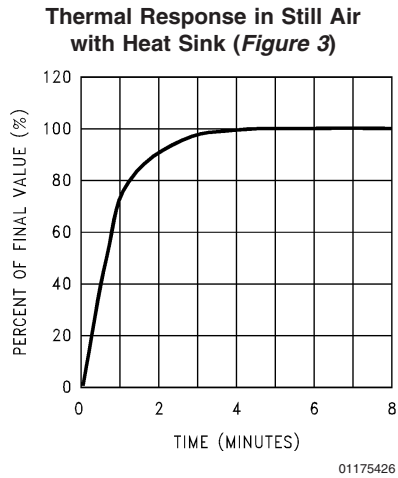
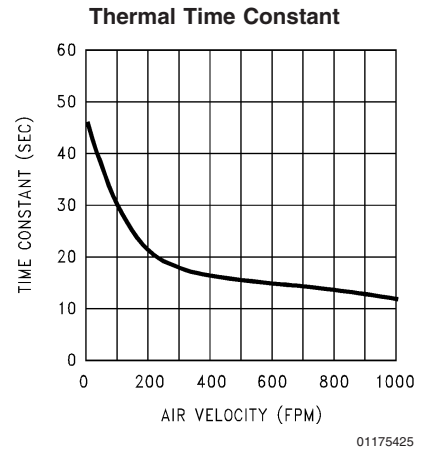
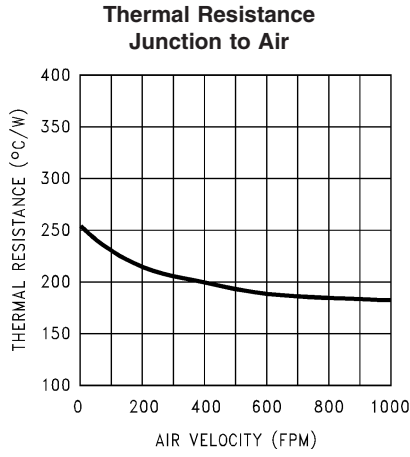
Note 7: Nonlinearity is defined as the deviation of the output-voltage-versus-temperature curve from the best-fit straight line, over the device's rated temperature range.

Note 8: Regulation is measured at constant junction temperature, using pulse testing with a low duty cycle. Changes in output due to heating effects can be computed by multiplying the internal dissipation by the thermal resistance.

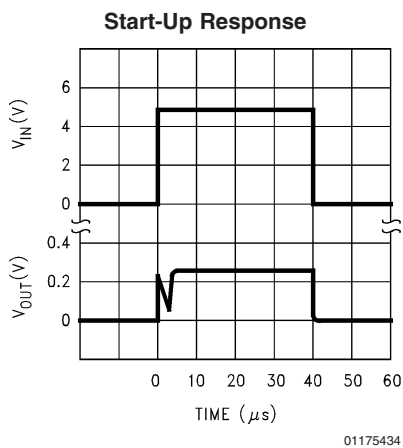
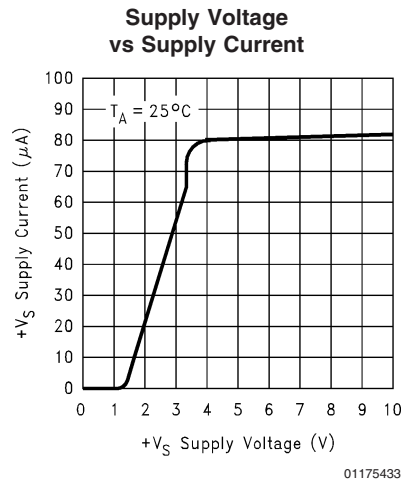
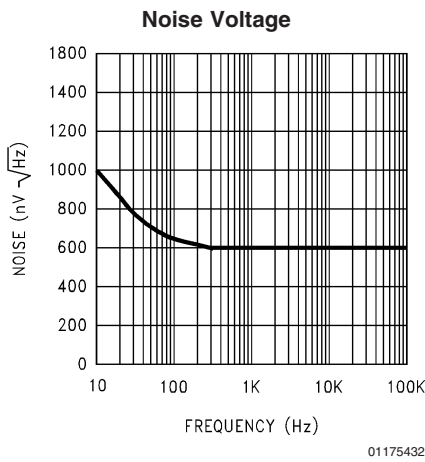
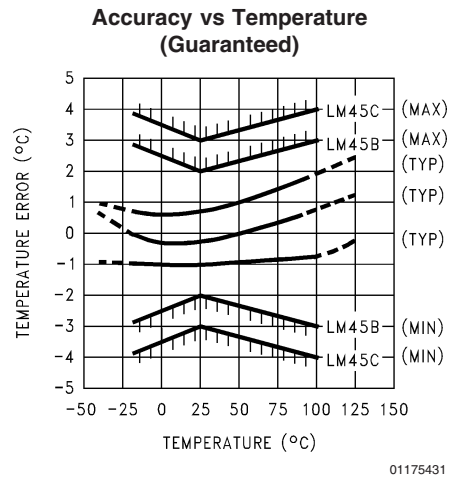
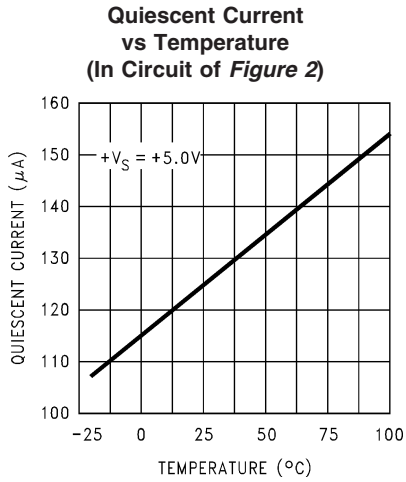
Note 9: Quiescent current is measured using the circuit of *Figure 1*.

Note 10: For best long-term stability, any precision circuit will give best results if the unit is aged at a warm temperature, and/or temperature cycled for at least 46 hours before long-term life test begins. This is especially true when a small (Surface-Mount) part is wave-soldered; allow time for stress relaxation to occur.

Typical Performance Characteristics To generate these curves the LM45 was mounted to a printed circuit board as shown in *Figure 3*.



Typical Performance Characteristics To generate these curves the LM45 was mounted to a printed circuit board as shown in *Figure 3*. (Continued)



Printed Circuit Board

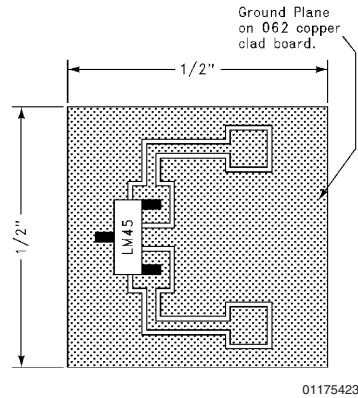


FIGURE 3. Printed Circuit Board Used for Heat Sink to Generate All Curves.
1/2" Square Printed Circuit Board with 2 oz. Foil or Similar

Applications

The LM45 can be applied easily in the same way as other integrated-circuit temperature sensors. It can be glued or cemented to a surface and its temperature will be within about 0.2°C of the surface temperature.

This presumes that the ambient air temperature is almost the same as the surface temperature; if the air temperature were much higher or lower than the surface temperature, the actual temperature of the LM45 die would be at an intermediate temperature between the surface temperature and the air temperature.

To ensure good thermal conductivity the backside of the LM45 die is directly attached to the GND pin. The lands and traces to the LM45 will, of course, be part of the printed circuit board, which is the object whose temperature is being measured. These printed circuit board lands and traces will not cause the LM45s temperature to deviate from the desired temperature.

Alternatively, the LM45 can be mounted inside a sealed-end metal tube, and can then be dipped into a bath or screwed

into a threaded hole in a tank. As with any IC, the LM45 and accompanying wiring and circuits must be kept insulated and dry, to avoid leakage and corrosion. This is especially true if the circuit may operate at cold temperatures where condensation can occur. Printed-circuit coatings and varnishes such as Humiseal and epoxy paints or dips are often used to insure that moisture cannot corrode the LM45 or its connections.

Temperature Rise of LM45 Due to Self-Heating (Thermal Resistance)

	SOT-23 no heat sink*	SOT-23 small heat fin**
Still air	450°C/W	260°C/W
Moving air		180°C/W

* Part soldered to 30 gauge wire.

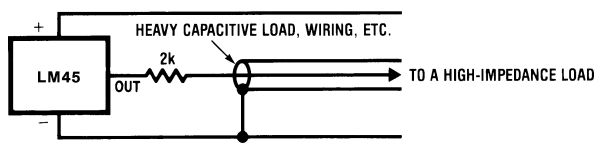
** Heat sink used is 1/2" square printed circuit board with 2 oz. foil with part attached as shown in *Figure 3*.

Typical Applications

CAPACITIVE LOADS

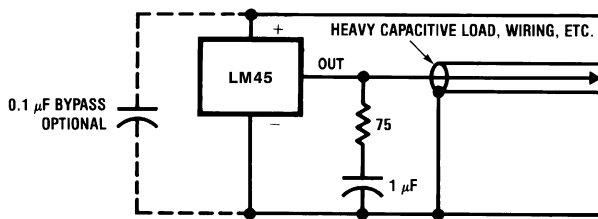
Like most micropower circuits, the LM45 has a limited ability to drive heavy capacitive loads. The LM45 by itself is able to drive 500 pF without special precautions. If heavier loads are anticipated, it is easy to isolate or decouple the load with a resistor; see *Figure 4*. Or you can improve the tolerance of capacitance with a series R-C damper from output to ground; see *Figure 5*.

Any linear circuit connected to wires in a hostile environment can have its performance affected adversely by intense electromagnetic sources such as relays, radio transmitters, motors with arcing brushes, SCR transients, etc, as its wiring can act as a receiving antenna and its internal junctions can act as rectifiers. For best results in such cases, a bypass capacitor from V_{IN} to ground and a series R-C damper such as 75Ω in series with 0.2 or $1\mu F$ from output to ground, as shown in *Figure 5*, are often useful.



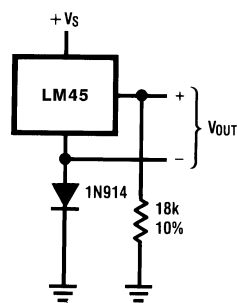
01175408

FIGURE 4. LM45 with Decoupling from Capacitive Load



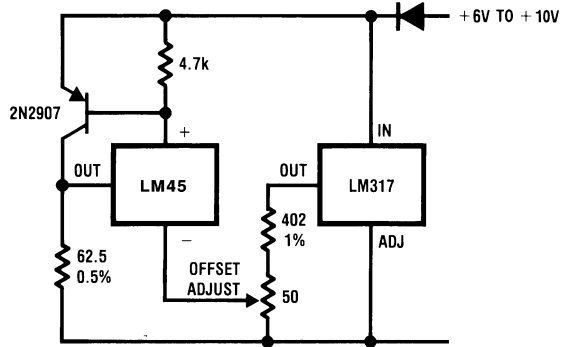
01175409

FIGURE 5. LM45 with R-C Damper



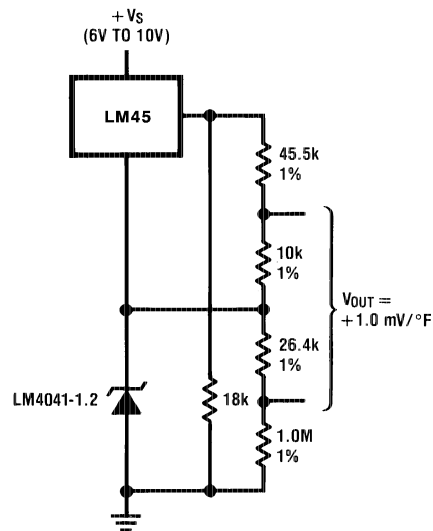
01175412

FIGURE 6. Temperature Sensor, Single Supply, -20°C to $+100^{\circ}\text{C}$



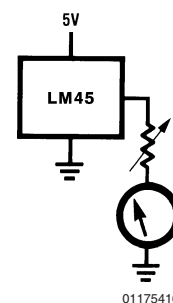
01175414

FIGURE 7. 4-to-20 mA Current Source (0°C to $+100^{\circ}\text{C}$)



01175415

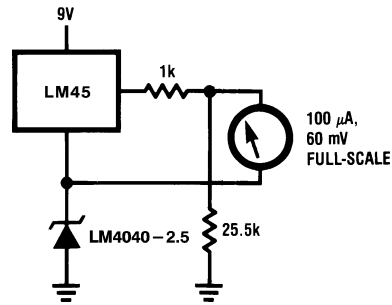
FIGURE 8. Fahrenheit Thermometer



01175416

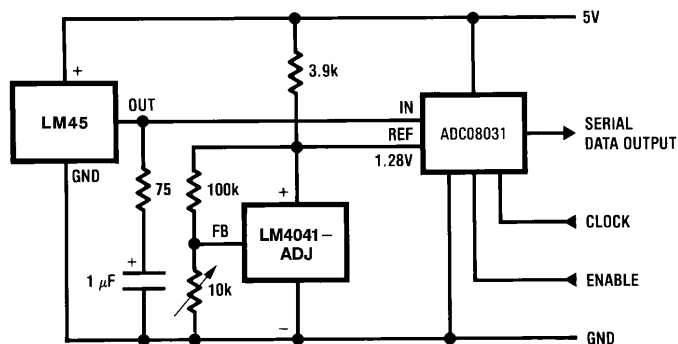
FIGURE 9. Centigrade Thermometer (Analog Meter)

Typical Applications (Continued)



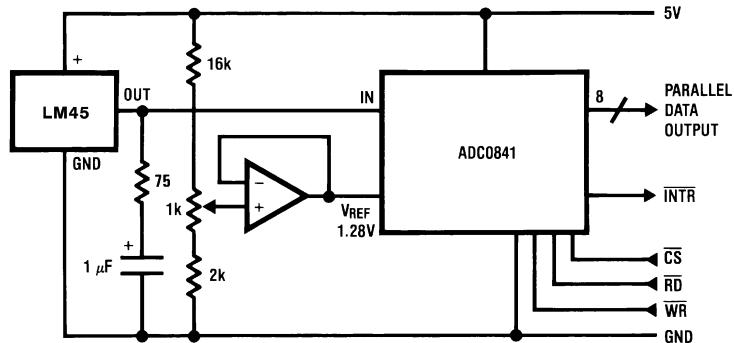
01175417

FIGURE 10. Expanded Scale Thermometer
(50° to 80° Fahrenheit, for Example Shown)



01175418

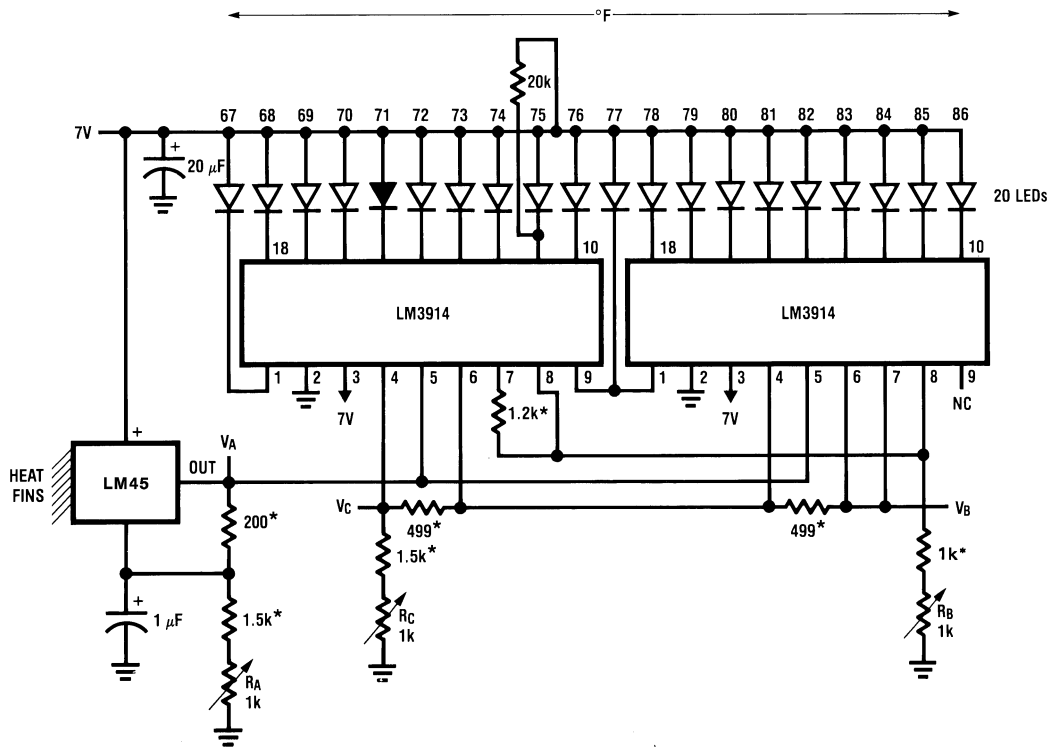
FIGURE 11. Temperature To Digital Converter (Serial Output) (+128°C Full Scale)



01175419

FIGURE 12. Temperature To Digital Converter (Parallel TRI-STATE® Outputs for
Standard Data Bus to μ P Interface) (128°C Full Scale)

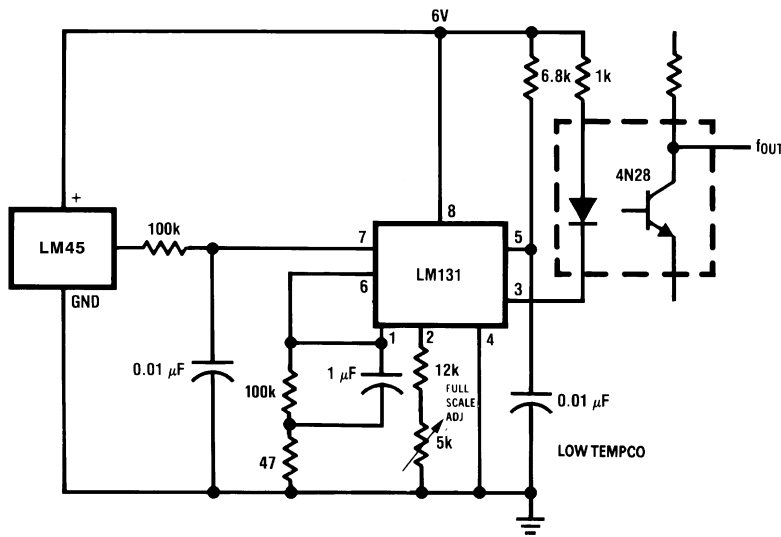
Typical Applications (Continued)



01175420

- * =1% or 2% film resistor
- Trim R_B for $V_B=3.075V$
- Trim R_C for $V_C=1.955V$
- Trim R_A for $V_A=0.075V + 100mV/^{\circ}C \times T_{ambient}$
- Example, $V_A=2.275V$ at $22^{\circ}C$

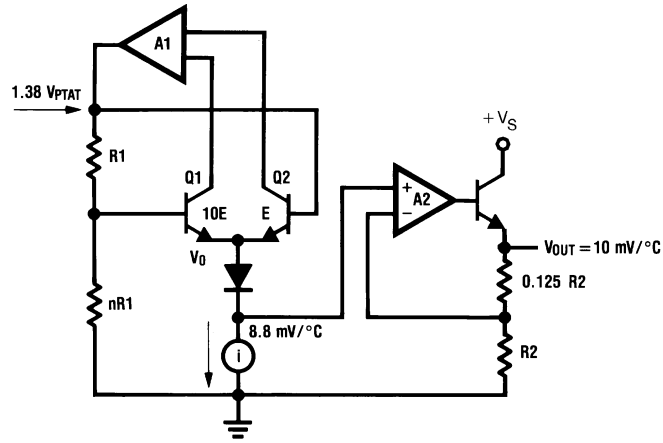
FIGURE 13. Bar-Graph Temperature Display (Dot Mode)



01175421

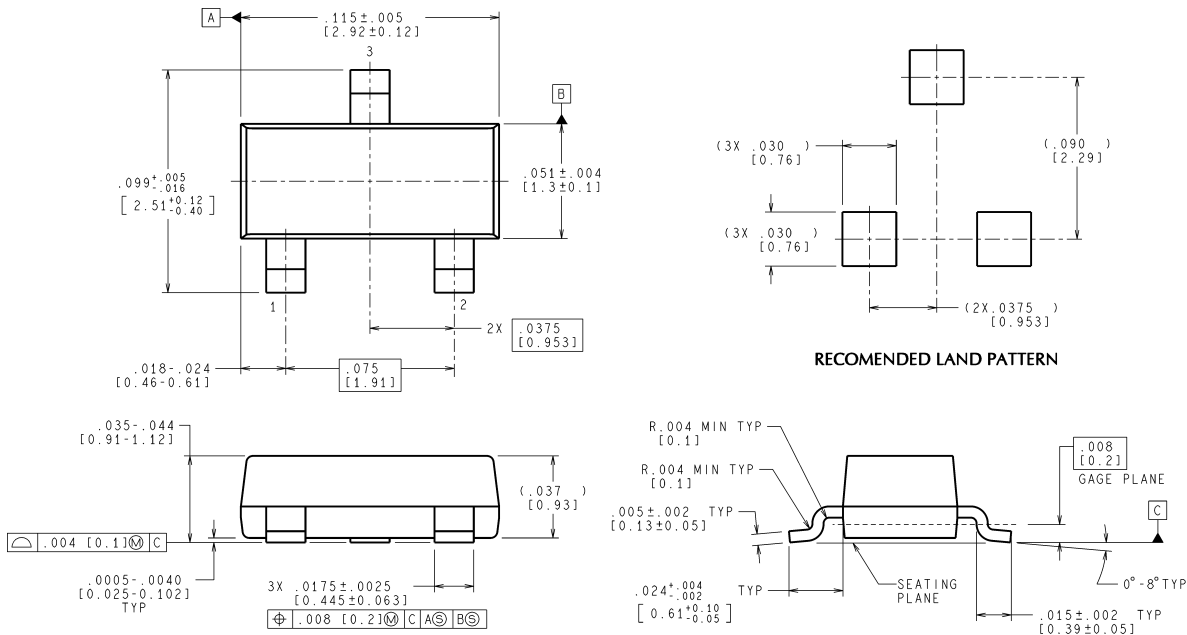
FIGURE 14. LM45 With Voltage-To-Frequency Converter And Isolated Output (2.5°C to +100°C; 25 Hz to 1000 Hz)

Block Diagram



01175422

Physical Dimensions inches (millimeters) unless otherwise noted



CONTROLLING DIMENSION IS INCH
VALUES IN [] ARE MILLIMETERS

MF03A (Rev B)

SOT-23 Molded Small Outline Transistor Package (M3)
Order Number LM45BIM3, LM45BIM3X, LM45CIM3 or LM45CIM3X
NS Package Number mf03a

National does not assume any responsibility for use of any circuitry described, no circuit patent licenses are implied and National reserves the right at any time without notice to change said circuitry and specifications.
 For the most current product information visit us at www.national.com.

LIFE SUPPORT POLICY

NATIONAL'S PRODUCTS ARE NOT AUTHORIZED FOR USE AS CRITICAL COMPONENTS IN LIFE SUPPORT DEVICES OR SYSTEMS WITHOUT THE EXPRESS WRITTEN APPROVAL OF THE PRESIDENT AND GENERAL COUNSEL OF NATIONAL SEMICONDUCTOR CORPORATION. As used herein:

1. Life support devices or systems are devices or systems which, (a) are intended for surgical implant into the body, or (b) support or sustain life, and whose failure to perform when properly used in accordance with instructions for use provided in the labeling, can be reasonably expected to result in a significant injury to the user.
2. A critical component is any component of a life support device or system whose failure to perform can be reasonably expected to cause the failure of the life support device or system, or to affect its safety or effectiveness.

BANNED SUBSTANCE COMPLIANCE

National Semiconductor manufactures products and uses packing materials that meet the provisions of the Customer Products Stewardship Specification (CSP-9-111C2) and the Banned Substances and Materials of Interest Specification (CSP-9-111S2) and contain no "Banned Substances" as defined in CSP-9-111S2.
 Leadfree products are RoHS compliant.

National Semiconductor
Americas Customer Support Center
 Email: new.feedback@nsc.com
 Tel: 1-800-272-9959

National Semiconductor
Europe Customer Support Center
 Fax: +49 (0) 180-530 85 86
 Email: europe.support@nsc.com
 Deutsch Tel: +49 (0) 69 9508 6208
 English Tel: +44 (0) 870 24 0 2171
 Français Tel: +33 (0) 1 41 91 8790

National Semiconductor
Asia Pacific Customer Support Center
 Email: ap.support@nsc.com

National Semiconductor
Japan Customer Support Center
 Fax: 81-3-5639-7507
 Email: jpn.feedback@nsc.com
 Tel: 81-3-5639-7560

www.national.com