

# LM341/LM78MXX Series 3-Terminal Positive Voltage Regulators

## General Description

The LM341 and LM78MXX series of three-terminal positive voltage regulators employ built-in current limiting, thermal shutdown, and safe-operating area protection which makes them virtually immune to damage from output overloads.

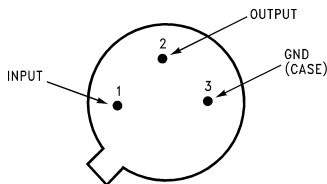
With adequate heatsinking, they can deliver in excess of 0.5A output current. Typical applications would include local (on-card) regulators which can eliminate the noise and degraded performance associated with single-point regulation.

## Features

- Output current in excess of 0.5A
- No external components
- Internal thermal overload protection
- Internal short circuit current-limiting
- Output transistor safe-area compensation
- Available in TO-220, TO-39, and TO-252 D-PAK packages
- Output voltages of 5V, 12V, and 15V

## Connection Diagrams

**TO-39 Metal Can Package (H)**

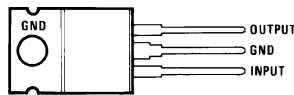


01048405

**Bottom View**

Order Number LM78M05CH, LM78M12CH or LM78M15CH  
See NS Package Number H03A

**TO-220 Power Package (T)**

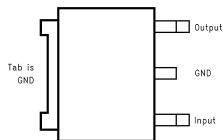


01048406

**Top View**

Order Number LM341T-5.0, LM341T-12, LM341T-15, LM78M05CT, LM78M12CT or LM78M15CT  
See NS Package Number T03B

**TO-252**



01048419

**Top View**

Order Number LM78M05CDT  
See NS Package Number TD03B

**Absolute Maximum Ratings** (Note 1)

If Military/Aerospace specified devices are required, please contact the National Semiconductor Sales Office/Distributors for availability and specifications.

Lead Temperature (Soldering, 10 seconds)	
TO-39 Package (H)	300°C
TO-220 Package (T)	260°C
Storage Temperature Range	-65°C to +150°C

Operating Junction Temperature

Range -40°C to +125°C

Power Dissipation (Note 2)

Internally Limited

Input Voltage

 $5V \leq V_O \leq 15V$  35V

ESD Susceptibility

TBD

**Electrical Characteristics**

Limits in standard typeface are for  $T_J = 25^\circ\text{C}$ , and limits in **boldface type** apply over the  $-40^\circ\text{C}$  to  $+125^\circ\text{C}$  operating temperature range. Limits are guaranteed by production testing or correlation techniques using standard Statistical Quality Control (SQC) methods.

**LM341-5.0, LM78M05C**

Unless otherwise specified:  $V_{IN} = 10V$ ,  $C_{IN} = 0.33 \mu\text{F}$ ,  $C_O = 0.1 \mu\text{F}$

Symbol	Parameter	Conditions	Min	Typ	Max	Units
$V_O$	Output Voltage	$I_L = 500 \text{ mA}$	4.8	5.0	5.2	V
		$5 \text{ mA} \leq I_L \leq 500 \text{ mA}$	<b>4.75</b>	<b>5.0</b>	<b>5.25</b>	
		$P_D \leq 7.5W, 7.5V \leq V_{IN} \leq 20V$				
$V_{R \text{ LINE}}$	Line Regulation	$7.2V \leq V_{IN} \leq 25V$			50	mV
		$I_L = 100 \text{ mA}$			100	
$V_{R \text{ LOAD}}$	Load Regulation	$5 \text{ mA} \leq I_L \leq 500 \text{ mA}$			100	
$I_Q$	Quiescent Current	$I_L = 500 \text{ mA}$		4	10.0	mA
$\Delta I_Q$	Quiescent Current Change	$5 \text{ mA} \leq I_L \leq 500 \text{ mA}$			0.5	
		$7.5V \leq V_{IN} \leq 25V, I_L = 500 \text{ mA}$			1.0	
$V_n$	Output Noise Voltage	$f = 10 \text{ Hz to } 100 \text{ kHz}$		40		$\mu\text{V}$
$\frac{\Delta V_{IN}}{\Delta V_O}$	Ripple Rejection	$f = 120 \text{ Hz}, I_L = 500 \text{ mA}$		78		dB
$V_{IN}$	Input Voltage Required to Maintain Line Regulation	$I_L = 500 \text{ mA}$	7.2			V
$\Delta V_O$	Long Term Stability	$I_L = 500 \text{ mA}$			<b>20</b>	mV/khrs

## Electrical Characteristics

Limits in standard typeface are for  $T_J = 25^\circ\text{C}$ , and limits in **boldface type** apply over the  $-40^\circ\text{C}$  to  $+125^\circ\text{C}$  operating temperature range. Limits are guaranteed by production testing or correlation techniques using standard Statistical Quality Control (SQC) methods. (Continued)

### LM341-12, LM78M12C

Unless otherwise specified:  $V_{IN} = 19\text{V}$ ,  $C_{IN} = 0.33\ \mu\text{F}$ ,  $C_O = 0.1\ \mu\text{F}$

Symbol	Parameter	Conditions	Min	Typ	Max	Units
$V_O$	Output Voltage	$I_L = 500\ \text{mA}$	11.5	12	12.5	V
		$5\ \text{mA} \leq I_L \leq 500\ \text{mA}$ $P_D \leq 7.5\text{W}$ , $14.8\text{V} \leq V_{IN} \leq 27\text{V}$	<b>11.4</b>	<b>12</b>	<b>12.6</b>	
$V_{R\ \text{LINE}}$	Line Regulation	$14.5\text{V} \leq V_{IN} \leq 30\text{V}$	$I_L = 100\ \text{mA}$		120	mV
			$I_L = 500\ \text{mA}$		240	
$V_{R\ \text{LOAD}}$	Load Regulation	$5\ \text{mA} \leq I_L \leq 500\ \text{mA}$			240	
$I_Q$	Quiescent Current	$I_L = 500\ \text{mA}$		4	10.0	mA
$\Delta I_Q$	Quiescent Current Change	$5\ \text{mA} \leq I_L \leq 500\ \text{mA}$ $14.8\text{V} \leq V_{IN} \leq 30\text{V}$ , $I_L = 500\ \text{mA}$			0.5	
$V_n$	Output Noise Voltage	$f = 10\ \text{Hz to } 100\ \text{kHz}$		75		$\mu\text{V}$
$\frac{\Delta V_{IN}}{\Delta V_O}$	Ripple Rejection	$f = 120\ \text{Hz}$ , $I_L = 500\ \text{mA}$		71		dB
$V_{IN}$	Input Voltage Required to Maintain Line Regulation	$I_L = 500\ \text{mA}$	14.5			V
$\Delta V_O$	Long Term Stability	$I_L = 500\ \text{mA}$			<b>48</b>	mV/khrs

### LM341-15, LM78M15C

Unless otherwise specified:  $V_{IN} = 23\text{V}$ ,  $C_{IN} = 0.33\ \mu\text{F}$ ,  $C_O = 0.1\ \mu\text{F}$

Symbol	Parameter	Conditions	Min	Typ	Max	Units
$V_O$	Output Voltage	$I_L = 500\ \text{mA}$	14.4	15	15.6	V
		$5\ \text{mA} \leq I_L \leq 500\ \text{mA}$ $P_D \leq 7.5\text{W}$ , $18\text{V} \leq V_{IN} \leq 30\text{V}$	<b>14.25</b>	<b>15</b>	<b>15.75</b>	
$V_{R\ \text{LINE}}$	Line Regulation	$17.6\text{V} \leq V_{IN} \leq 30\text{V}$	$I_L = 100\ \text{mA}$		150	mV
			$I_L = 500\ \text{mA}$		300	
$V_{R\ \text{LOAD}}$	Load Regulation	$5\ \text{mA} \leq I_L \leq 500\ \text{mA}$			300	
$I_Q$	Quiescent Current	$I_L = 500\ \text{mA}$		4	10.0	mA
$\Delta I_Q$	Quiescent Current Change	$5\ \text{mA} \leq I_L \leq 500\ \text{mA}$ $18\text{V} \leq V_{IN} \leq 30\text{V}$ , $I_L = 500\ \text{mA}$			0.5	
$V_n$	Output Noise Voltage	$f = 10\ \text{Hz to } 100\ \text{kHz}$		90		$\mu\text{V}$
$\frac{\Delta V_{IN}}{\Delta V_O}$	Ripple Rejection	$f = 120\ \text{Hz}$ , $I_L = 500\ \text{mA}$		69		dB
$V_{IN}$	Input Voltage Required to Maintain Line Regulation	$I_L = 500\ \text{mA}$	17.6			V
$\Delta V_O$	Long Term Stability	$I_L = 500\ \text{mA}$			<b>60</b>	mV/khrs

**Note 1:** Absolute maximum ratings indicate limits beyond which damage to the component may occur. Electrical specifications do not apply when operating the device outside of its rated operating conditions.

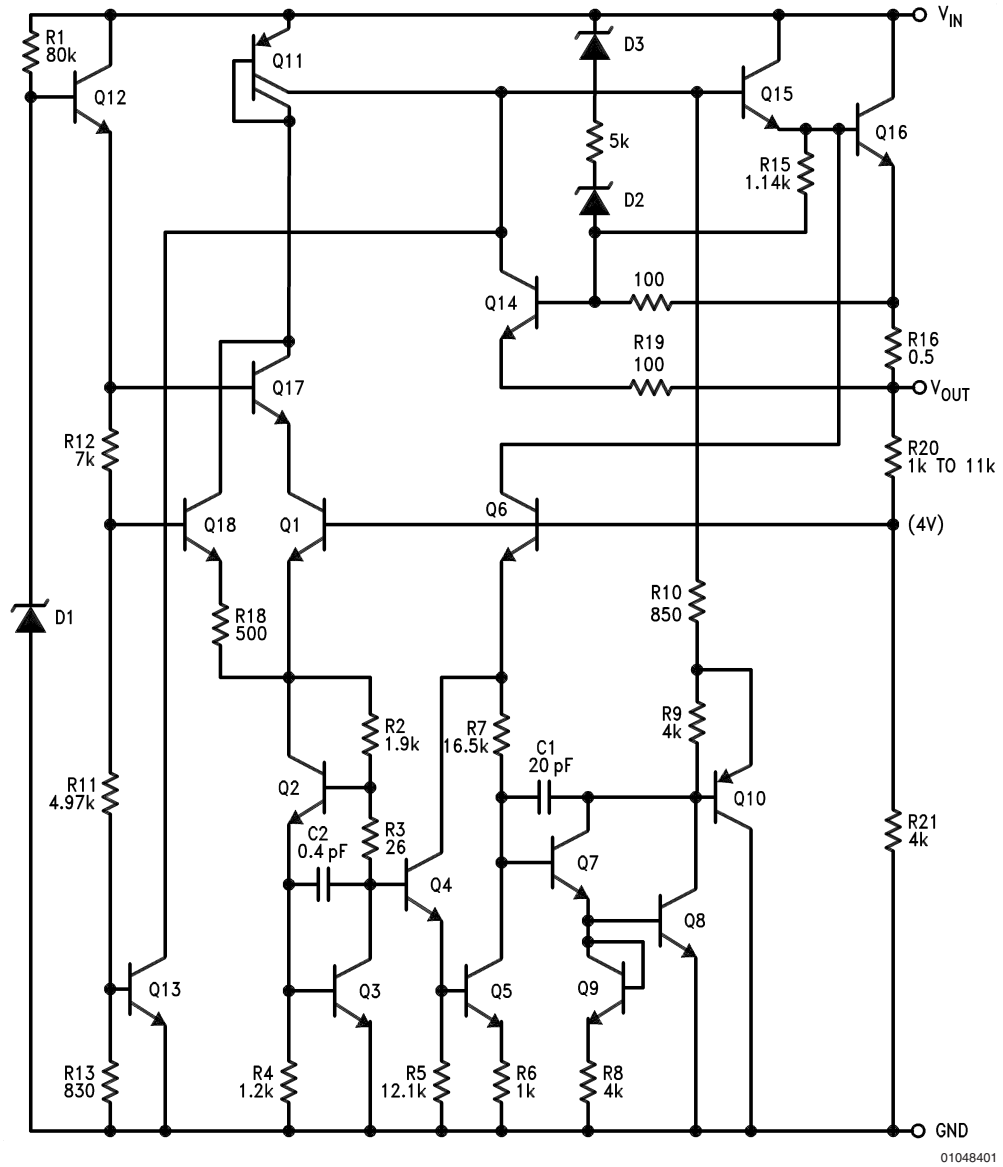
**Note 2:** The typical thermal resistance of the three package types is:

**T** (TO-220) package:  $\theta_{(JA)} = 60\ ^\circ\text{C/W}$ ,  $\theta_{(JC)} = 5\ ^\circ\text{C/W}$

**H** (TO-39) package:  $\theta_{(JA)} = 120\ ^\circ\text{C/W}$ ,  $\theta_{(JC)} = 18\ ^\circ\text{C/W}$

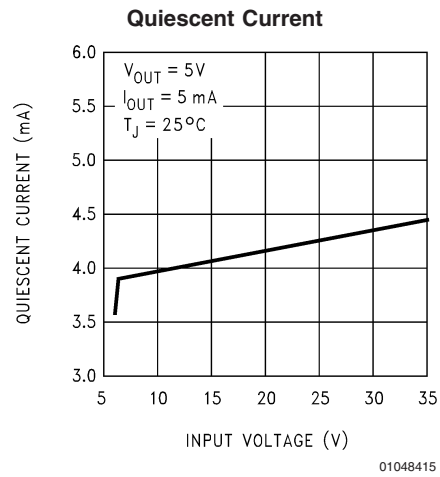
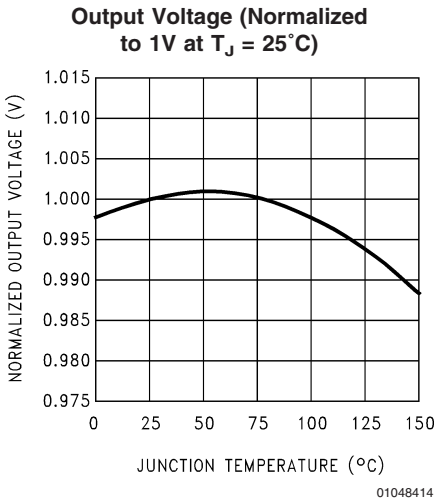
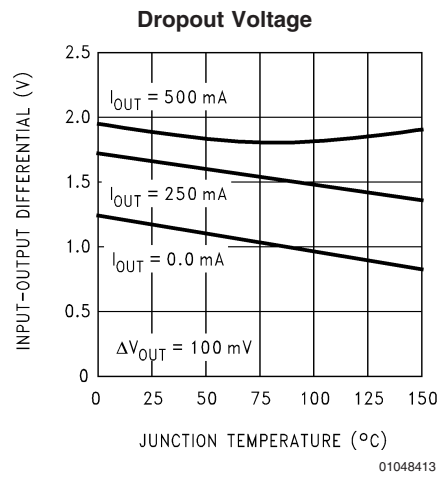
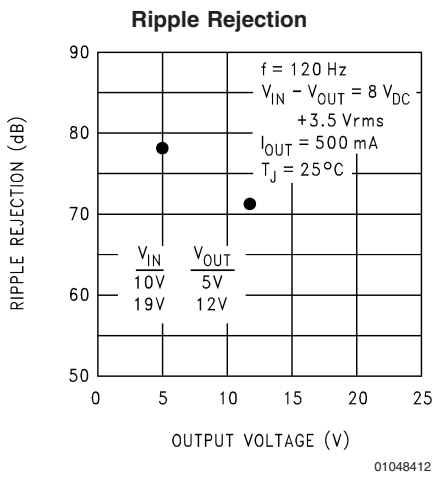
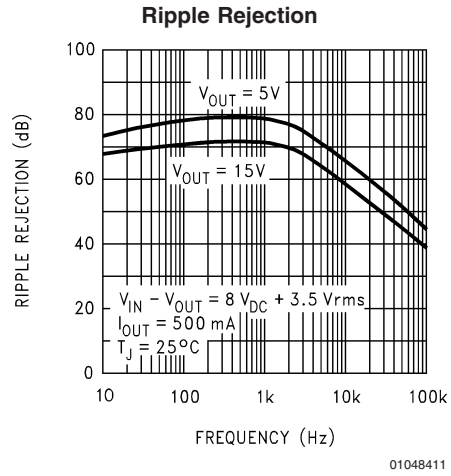
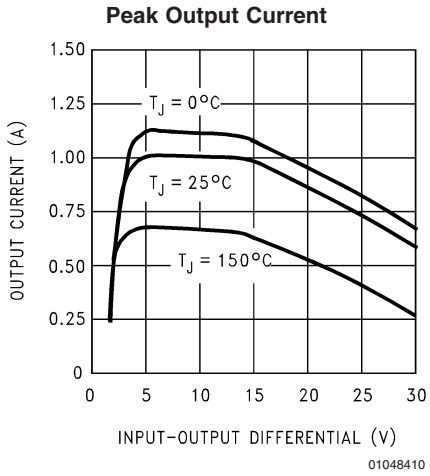
**DT** (TO-252) package:  $\theta_{(JA)} = 92\ ^\circ\text{C/W}$ ,  $\theta_{(JC)} = 10\ ^\circ\text{C/W}$

### Schematic Diagram

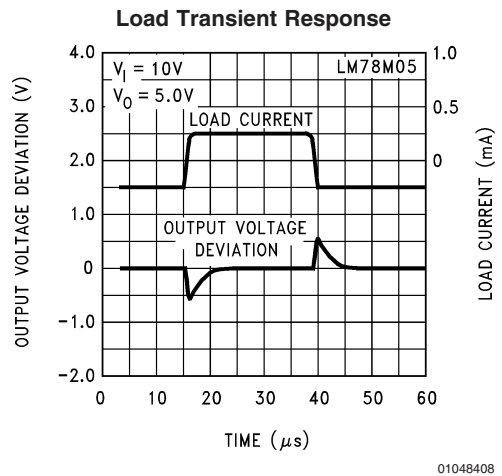
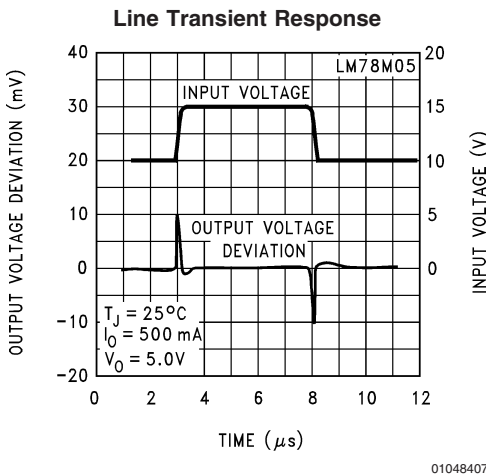
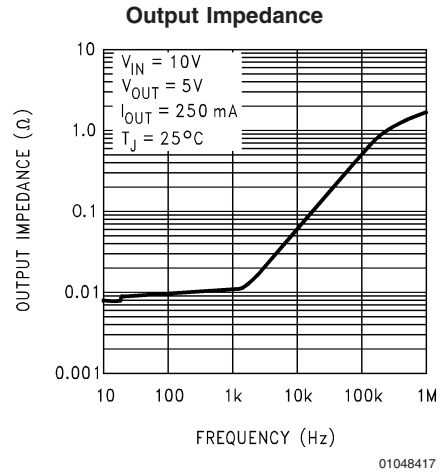
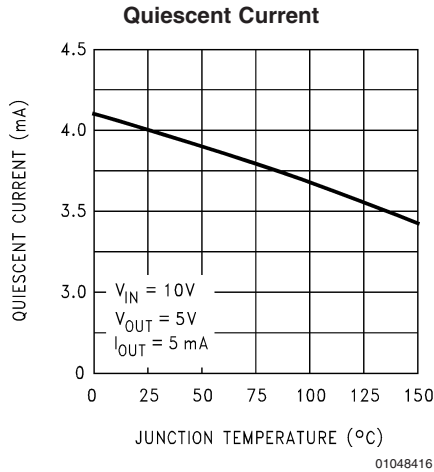


01048401

# Typical Performance Characteristics



Typical Performance Characteristics (Continued)



Design Considerations

The LM78MXX/LM341XX fixed voltage regulator series has built-in thermal overload protection which prevents the device from being damaged due to excessive junction temperature.

The regulators also contain internal short-circuit protection which limits the maximum output current, and safe-area protection for the pass transistor which reduces the short-circuit current as the voltage across the pass transistor is increased.

Although the internal power dissipation is automatically limited, the maximum junction temperature of the device must be kept below +125°C in order to meet data sheet specifications. An adequate heatsink should be provided to assure this limit is not exceeded under worst-case operating conditions (maximum input voltage and load current) if reliable performance is to be obtained).

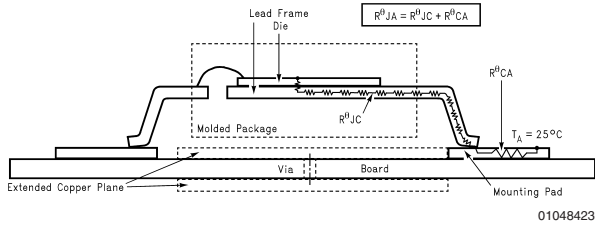
1.0 HEATSINK CONSIDERATIONS

When an integrated circuit operates with appreciable current, its junction temperature is elevated. It is important to quantify its thermal limits in order to achieve acceptable performance and reliability. This limit is determined by summing the individual parts consisting of a series of temperature rises from the semiconductor junction to the operating environment. A one-dimension steady-state model of con-

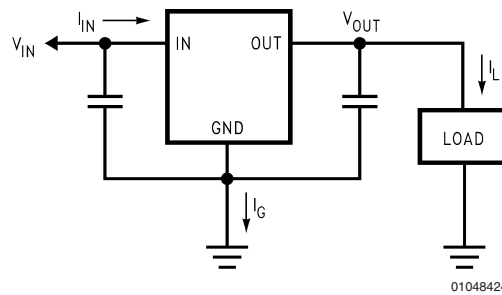
duction heat transfer is demonstrated in The heat generated at the device junction flows through the die to the die attach pad, through the lead frame to the surrounding case material, to the printed circuit board, and eventually to the ambient environment. Below is a list of variables that may affect the thermal resistance and in turn the need for a heatsink.

$R^{\theta JC}$ (Component Variables)	$R^{\theta CA}$ (Application Variables)
Leadframe Size & Material	Mounting Pad Size, Material, & Location
No. of Conduction Pins	Placement of Mounting Pad
Die Size	PCB Size & Material
Die Attach Material	Traces Length & Width
Molding Compound Size and Material	Adjacent Heat Sources
	Volume of Air
	Air Flow
	Ambient Temperature
	Shape of Mounting Pad

## Application Information



**FIGURE 1. Cross-sectional view of Integrated Circuit Mounted on a printed circuit board. Note that the case temperature is measured at the point where the leads contact with the mounting pad surface**



**FIGURE 2. Power Dissipation Diagram**

The next parameter which must be calculated is the maximum allowable temperature rise,  $T_R(\text{max})$ :

$$\theta_{JA} = T_R(\text{max})/P_D$$

If the maximum allowable value for  $\theta_{JA}$  °C/W is found to be  $\geq 60$  °C/W for TO-220 package or  $\geq 92$  °C/W for TO-252 package, no heatsink is needed since the package alone will dissipate enough heat to satisfy these requirements. If the calculated value for  $\theta_{JA}$  fall below these limits, a heatsink is required.

As a design aid, *Table 1* shows the value of the  $\theta_{JA}$  of TO-252 for different heatsink area. The copper patterns that

The LM78MXX/LM341XX regulators have internal thermal shutdown to protect the device from over-heating. Under all possible operating conditions, the junction temperature of the LM78MXX/LM341XX must be within the range of 0°C to 125°C. A heatsink may be required depending on the maximum power dissipation and maximum ambient temperature of the application. To determine if a heatsink is needed, the power dissipated by the regulator,  $P_D$ , must be calculated:

$$I_{IN} = I_L + I_G$$

$$P_D = (V_{IN} - V_{OUT}) I_L + V_{IN} I_G$$

shows the voltages and currents which are present in the circuit.

we used to measure these  $\theta_{JA}$  are shown at the end of the Application Note Section. reflects the same test results as what are in the *Table 1*

shows the maximum allowable power dissipation vs. ambient temperature for the TO-252 device. shows the maximum allowable power dissipation vs. copper area (in<sup>2</sup>) for the TO-252 device. Please see AN1028 for power enhancement techniques to be used with TO-252 package.

**Application Information** (Continued)**TABLE 1.  $\theta_{JA}$  Different Heatsink Area**

Layout	Copper Area		Thermal Resistance ( $\theta_{JA}$ , °C/W) TO-252
	Top Side (in <sup>2</sup> )*	Bottom Side (in <sup>2</sup> )	
1	0.0123	0	103
2	0.066	0	87
3	0.3	0	60
4	0.53	0	54
5	0.76	0	52
6	1	0	47
7	0	0.2	84
8	0	0.4	70
9	0	0.6	63
10	0	0.8	57
11	0	1	57
12	0.066	0.066	89
13	0.175	0.175	72
14	0.284	0.284	61
15	0.392	0.392	55
16	0.5	0.5	53

\*Tab of device attached to topside copper



### Application Information (Continued)

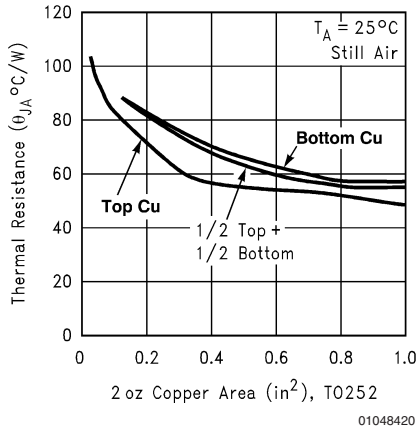


FIGURE 3.  $\theta_{JA}$  vs. 2oz Copper Area for TO-252

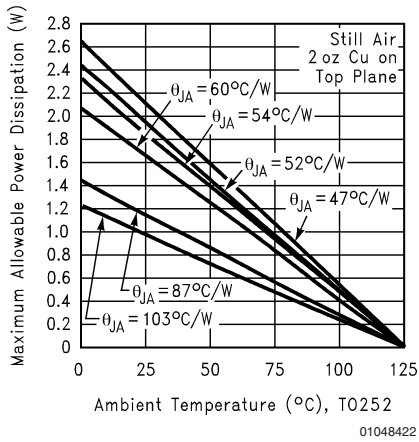


FIGURE 4. Maximum Allowable Power Dissipation vs. Ambient Temperature for TO-252

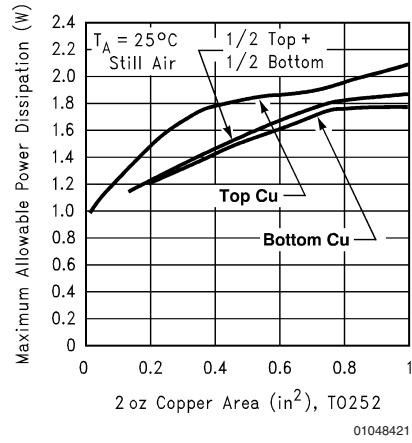
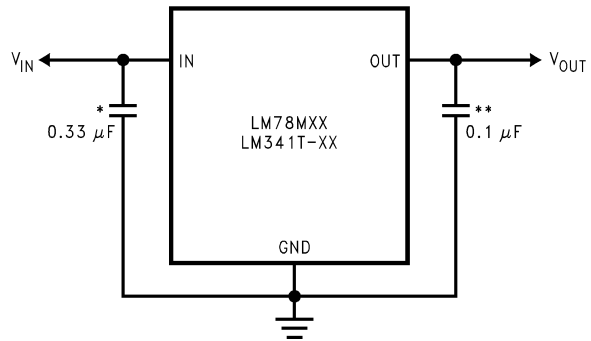


FIGURE 5. Maximum Allowable Power Dissipation vs. 2oz. Copper Area for TO-252

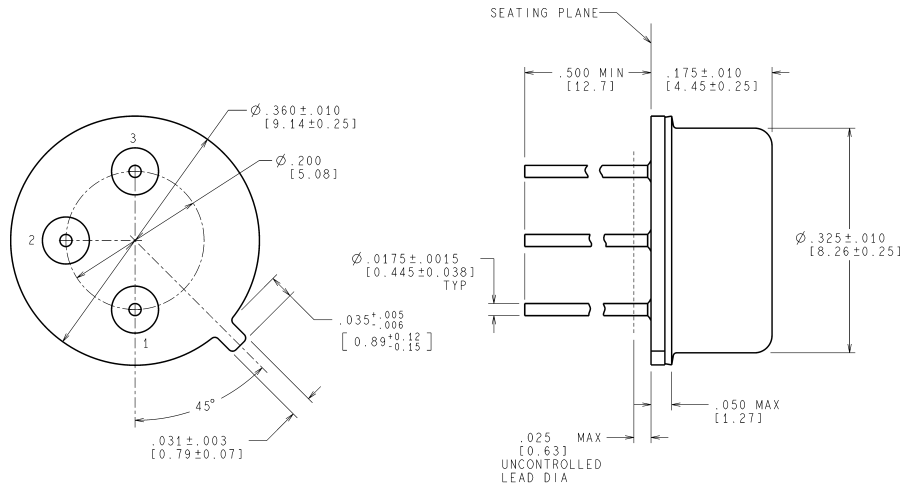
### Typical Application



\*Required if regulator input is more than 4 inches from input filter capacitor (or if no input filter capacitor is used).

\*\*Optional for improved transient response.

**Physical Dimensions** inches (millimeters) unless otherwise noted

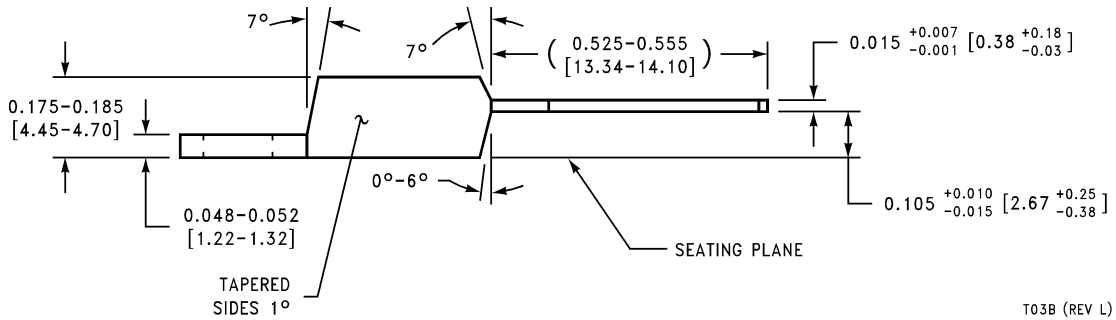
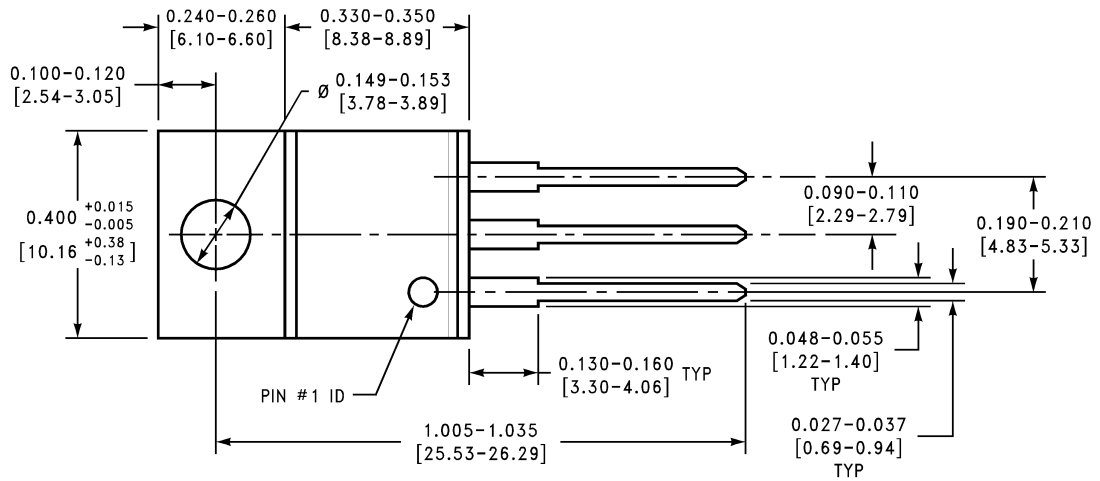


CONTROLLING DIMENSION IS INCH  
VALUES IN [ ] ARE MILLIMETERS

MIL-PRF-38535  
CONFIGURATION CONTROL

H03A (Rev D)

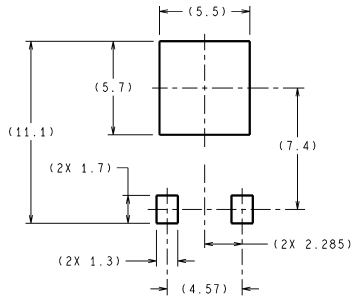
**TO-39 Metal Can Package (H)**  
**Order Number LM78M05CH, LM78M12CH or LM78M15CH**  
**NS Package Number H03A**



T03B (REV L)

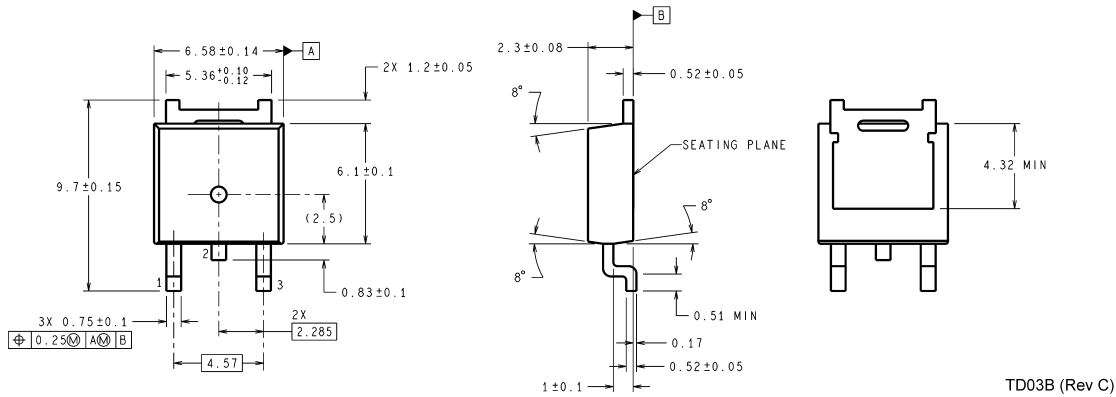
**TO-220 Power Package (T)**  
**Order Number LM341T-5.0, LM341T-12, LM341T-15, LM78M05CT, LM78M12CT or LM78M15CT**  
**NS Package Number T03B**

**Physical Dimensions** inches (millimeters) unless otherwise noted (Continued)



DIMENSIONS ARE IN MILLIMETERS

**LAND PATTERN RECOMMENDATION**



**TO-252**  
**Order Number LM78M05CDT**  
**NS Package Number TD03B**

National does not assume any responsibility for use of any circuitry described, no circuit patent licenses are implied and National reserves the right at any time without notice to change said circuitry and specifications.  
 For the most current product information visit us at [www.national.com](http://www.national.com).

**LIFE SUPPORT POLICY**


NATIONAL'S PRODUCTS ARE NOT AUTHORIZED FOR USE AS CRITICAL COMPONENTS IN LIFE SUPPORT DEVICES OR SYSTEMS WITHOUT THE EXPRESS WRITTEN APPROVAL OF THE PRESIDENT AND GENERAL COUNSEL OF NATIONAL SEMICONDUCTOR CORPORATION. As used herein:

1. Life support devices or systems are devices or systems which, (a) are intended for surgical implant into the body, or (b) support or sustain life, and whose failure to perform when properly used in accordance with instructions for use provided in the labeling, can be reasonably expected to result in a significant injury to the user.
2. A critical component is any component of a life support device or system whose failure to perform can be reasonably expected to cause the failure of the life support device or system, or to affect its safety or effectiveness.

**BANNED SUBSTANCE COMPLIANCE**

National Semiconductor manufactures products and uses packing materials that meet the provisions of the Customer Products Stewardship Specification (CSP-9-111C2) and the Banned Substances and Materials of Interest Specification (CSP-9-111S2) and contain no "Banned Substances" as defined in CSP-9-111S2.

Leadfree products are RoHS compliant.

 **National Semiconductor**  
**Americas Customer Support Center**  
 Email: [new.feedback@nsc.com](mailto:new.feedback@nsc.com)  
 Tel: 1-800-272-9959

**National Semiconductor**  
**Europe Customer Support Center**  
 Fax: +49 (0) 180-530 85 86  
 Email: [europe.support@nsc.com](mailto:europe.support@nsc.com)  
 Deutsch Tel: +49 (0) 69 9508 6208  
 English Tel: +44 (0) 870 24 0 2171  
 Français Tel: +33 (0) 1 41 91 8790

**National Semiconductor**  
**Asia Pacific Customer Support Center**  
 Email: [ap.support@nsc.com](mailto:ap.support@nsc.com)

**National Semiconductor**  
**Japan Customer Support Center**  
 Fax: 81-3-5639-7507  
 Email: [jpn.feedback@nsc.com](mailto:jpn.feedback@nsc.com)  
 Tel: 81-3-5639-7560

[www.national.com](http://www.national.com)