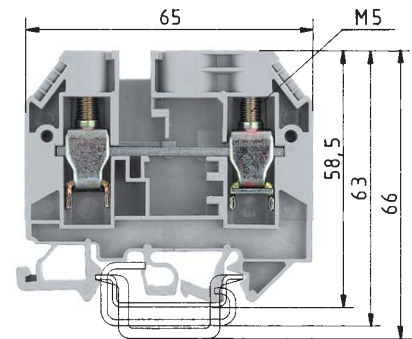
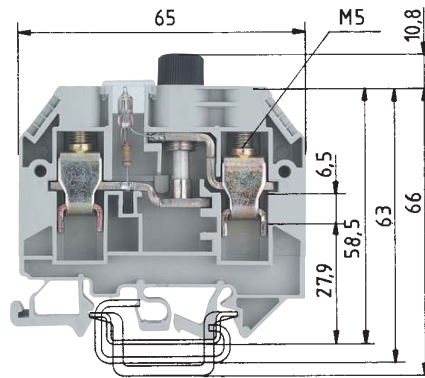
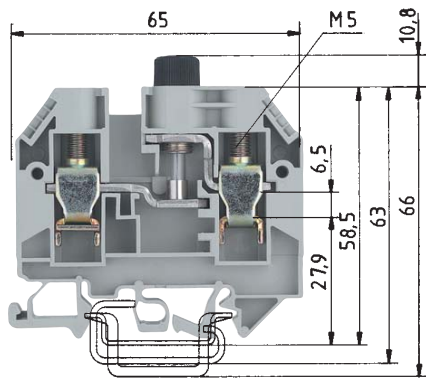


# selos



\*) Voltage and current are determined by the built-in LED and the inserted G-fuse.  
<sup>9)</sup> 6.3 A up to a power loss of 1.6 W  
<sup>10)</sup> 10 A up to a power loss of 2.5 W

\*) Voltage and current are determined by the built-in indicator and the inserted G-fuse.  
<sup>7)</sup> 6.3 A up to a power loss of 1.6 W  
<sup>8)</sup> 10 A up to a power loss of 2.5 W

## WK 10/SI ... /U

fine stranded	solid/stranded	V	A
1 - 10 mm <sup>2</sup>	1 - 16 mm <sup>2</sup>	500 V/6 kV/3 <sup>*)</sup>	10 <sup>*)</sup>
No. 22-6 AWG		600 V <sup>*)</sup>	15
No. 16-6 AWG		600 V <sup>*)</sup>	max. 15
12 mm			13 mm



## WK 10/SI ... /U with indicator

fine stranded	solid/stranded	V	A
1 - 10 mm <sup>2</sup>	1 - 16 mm <sup>2</sup>	500 V/6 kV/3 <sup>*)</sup>	max. 10 <sup>*)</sup>
No. 22-6 AWG		600 V <sup>*)</sup>	15
No. 16-6 AWG		600 V <sup>*)</sup>	max. 15
12 mm			13 mm



## WK 10/SI U D

fine stranded	solid/stranded	V	A
1 - 10 mm <sup>2</sup>	1 - 16 mm <sup>2</sup>	500 V/6 kV/3	57
No. 22-6 AWG		600 V	50
No. 16-6 AWG		600 V	65
12 mm			13 mm

Type	Part no.	Std. pack	Type	Part no.	Std. pack	Type	Part no.	Std. pack
WK 10/Si U 5 x 20 <sup>2)</sup> -8)9)10)	57.910.5055.0	50	WK 10/Si U 5x20M, NGL <sup>2)-6)7)8)</sup>	57.910.5455.0	50	WK 10/Si U D	57.910.4955.0	50
WK 10/Si U 5 x 25 <sup>2)-8)9)10)</sup>	57.910.5155.0	50	WK 10/Si U 5x20M, GLB <sup>2)-6)7)8)</sup>	57.910.5855.0	50			
WK 10/Si U 5 x 30 <sup>2)-8)10)</sup>	57.910.5255.0	50	WK 10/Si U 6,3x32M, NGL <sup>1)-6)8)</sup>	57.910.5755.0	50			
WK 10/Si U 6,3 x 32 <sup>1)-8)10)</sup>	57.910.5355.0	50	WK 10/Si U 6,3x32M, GLB <sup>1)-6)8)</sup>	57.910.6155.0	50			
35 x 27 x 7,5 EN 60715	98.300.0000.0	1	35 x 27 x 7,5 EN 60715	98.300.0000.0	1	35 x 27 x 7,5 EN 60715	98.300.0000.0	1
35 x 24 x 15 EN 60715	98.360.0000.0	1	35 x 24 x 15 EN 60715	98.360.0000.0	1	35 x 24 x 15 EN 60715	98.360.0000.0	1
9006 EN 60715 G-32	98.190.0000.0	1	9006 EN 60715 G-32	98.190.0000.0	1	9006 EN 60715 G-32	98.190.0000.0	1
WE 1/U	Z5.523.5753.0	100	WE 1/U	Z5.523.5753.0	100	WE 1/U	Z5.523.5753.0	100
9708/2 S 35	Z5.522.8553.0	100	9708/2 S 35	Z5.522.8553.0	100	9708/2 S 35	Z5.522.8553.0	100
9708	Z5.522.7053.0	100	9708	Z5.522.7053.0	100	9708	Z5.522.7053.0	100
AP 10/Si	07.311.4155.0	10	AP 10/Si	07.311.4155.0	10	AP 10/Si	07.311.4155.0	10
VB WK 10/Si-2	Z7.287.0227.0	10	VB WK 10/Si-2	Z7.287.0227.0	10	VB WK 10/Si-2	Z7.287.0227.0	10
VB WK 10/Si-3	Z7.287.0327.0	10	VB WK 10/Si-3	Z7.287.0327.0	10	VB WK 10/Si-3	Z7.287.0327.0	10
VB WK 10/Si-6	Z7.287.0627.0	10	VB WK 10/Si-6	Z7.287.0627.0	10	VB WK 10/Si-6	Z7.287.0627.0	10
	04.312.2056.0	100		04.312.2056.0	100		04.312.2056.0	100
			VDE	CSA	UL			
			57.910.5453.0	Indicator	110 - 250 V ~	500 V	150 V	
				Current consumed:	0.16 - 0.8 mA <sup>9)</sup>			
			57.910.5853.0	Indicator	28 V ~	28 V	28 V	
				Current consumed:	24 mA <sup>10)</sup>			
			57.910.5753.0	Indicator	110 - 500 V ~	500 V	150 V	
				Current consumed:	0.16 - 0.8 mA <sup>9)</sup>			
			57.910.6153.0	Indicator	28 V ~	28 V	28 V	
				Current consumed:	24 mA <sup>10)</sup>			
Screw cap made from thermoset type 131 and silver-plated brass			Lamp color of the indicator: <sup>9)</sup> red, <sup>10)</sup> yellow					