

XC6210 Series

High Current, High Speed LDO Regulators



June 6, 2005 V4

- ◆ CMOS
- ◆ Low Power Consumption : 35 μ A (TYP.)
- ◆ Maximum Output Current : More than 700mA (800mA limit, TYP.)
- ◆ Dropout Voltage : 50mV @ 100mA
: 100mV @ 200mA
- ◆ Operating Voltage Range : 1.5V ~ 6.0V
- ◆ Output Voltage Range : 0.8V ~ 5.0V
- ◆ Low ESR Capacitor Compatible

GENERAL DESCRIPTION

The XC6210 series are precise, low noise, high current, positive voltage low dropout regulators. They are fabricated using Torex's CMOS process.

The series features a voltage reference, an error amplifier, a current limiter, and a phase compensation circuit plus a driver transistor.

With a low ON resistance driver transistor built into, batteries can be used until input-output voltage differential is minimal and can accordingly be used for a longer time.

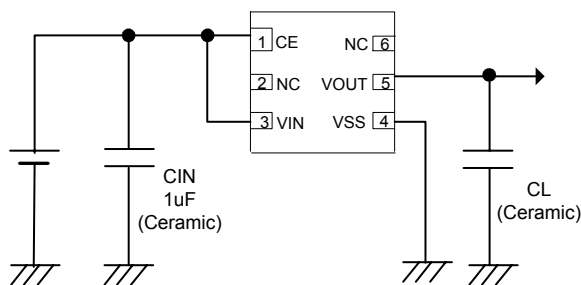
The series is also compatible with low ESR ceramic capacitors which give added output stability.

The output voltage of the LDO and detect voltage of the detector is selectable in 100mV increments within the range of 0.8V to 5.0V.

The current limiter's foldback circuit also operates as the output current limiter and the output pin protection.

The IC's internal regulator circuit can be placed in stand-by mode via the CE function. In the stand-by mode, power consumption is greatly reduced.

TYPICAL APPLICATION CIRCUIT



APPLICATIONS

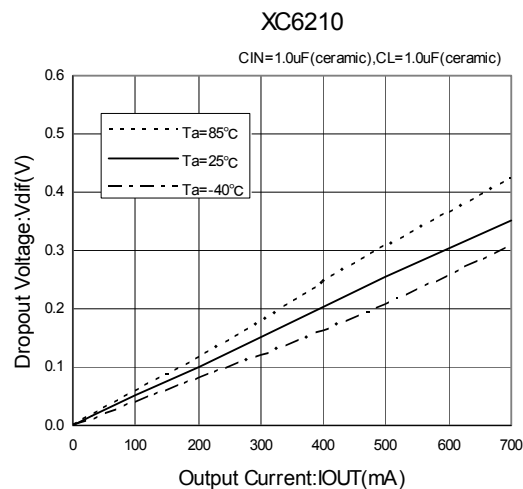
- CD-ROMs, CD-R / RW drive
- DVD drive
- HDD drive
- Cameras, Video recorders
- Portable AV equipment
- Battery powered equipment

FEATURES

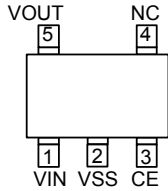
- Maximum Output Current** : More than 700mA (800mA limit, TYP.)
(1.6V \leq V_{OUT}(T) \leq 5.0V)
- Dropout Voltage** : 50mV@I_{OUT}=100mA
- Operating Voltage Range** : 1.5V ~ 6.0V
- Output Voltage Range** : 0.8V ~ 5.0V
(100mV increments)
- Highly Accurate** : \pm 2%
(The setting voltage accuracy)
- Low Power Consumption** : 35 μ A (TYP.)
- High Ripple Rejection** : 60dB (@1kHz)
- Operational Ambient Temperature** : -40 $^{\circ}$ C ~ 85 $^{\circ}$ C
- Ultra Small Packages** : SOT-25 (SOT-23-5)
SOT-89-5
USP-6B

TYPICAL PERFORMANCE CHARACTERISTICS

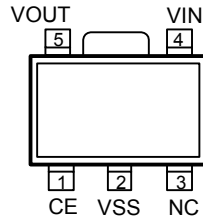
- Dropout Voltage vs. Output Current



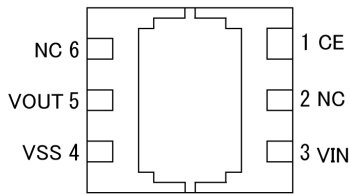
PIN CONFIGURATION



SOT-25 (TOP VIEW)



SOT-89-5 (TOP VIEW)



USP-6B (BOTTOM VIEW)

*Please use the circuit without connecting the heat dissipation pad. If the pad needs to be connected to other pins, it should be connected to the VSS pin.

PIN ASSIGNMENT

PIN NUMBER			PIN NAME	FUNCTION
SOT-25	SOT-89-5	USP-6B		
3	1	1	CE	ON/OFF Control
1	4	3	VIN	Power Input
2	2	4	VSS	Ground
5	5	5	VOUT	Output
4	3	2, 6	NC	No Connection

PRODUCT CLASSIFICATION

● Selection Guide

CE Input Logic, Internal Pull-Up / Down Resistor

SERIES	CE INPUT LOGIC
XC6210A	High Active with Pull-Down Resistor
XC6210B	High Active with No Pull-Down Resistor
XC6210C	Low Active with Pull-Up Resistor
XC6210D	Low Active with No Pull-Up Resistor

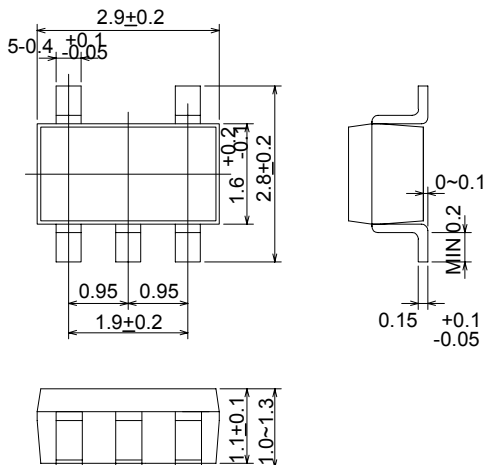
● Ordering Information

XC6210 ①②③④⑤⑥

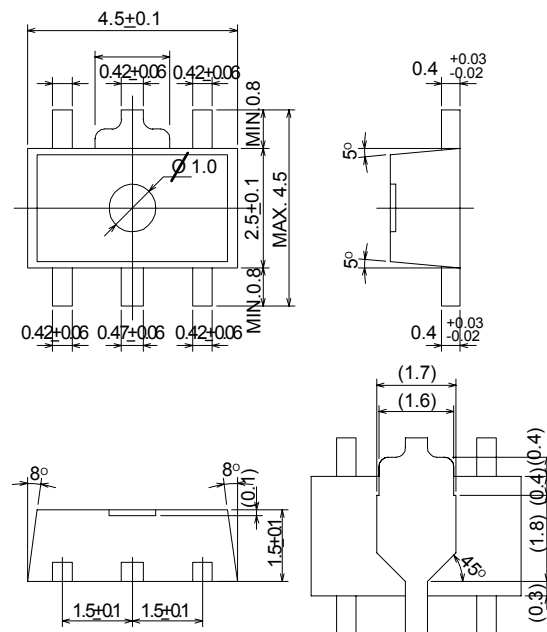
DESIGNATOR	DESCRIPTION	SYMBOL	DESCRIPTION
①	CE Pin Functions	A	: High Active with pull-down resistor
		B	: High Active with no pull-down resistor
		C	: Low Active with pull-up resistor
		D	: Low Active with no pull-up resistor
② ③	Output Voltage	08~50	: ex.) 3.0V → ②=3, ③=0
④	Output Voltage Accuracy	2	: ±2% (VOUT ≤ 1.5V ⇔ ±30mV)
⑤	Packages	M	: SOT-25 (SOT-23-5)
		P	: SOT-89-5
		D	: USP-6B
⑥	Device Orientation	R	: Embossed tape, standard feed
		L	: Embossed tape, reverse feed

PACKAGING INFORMATION

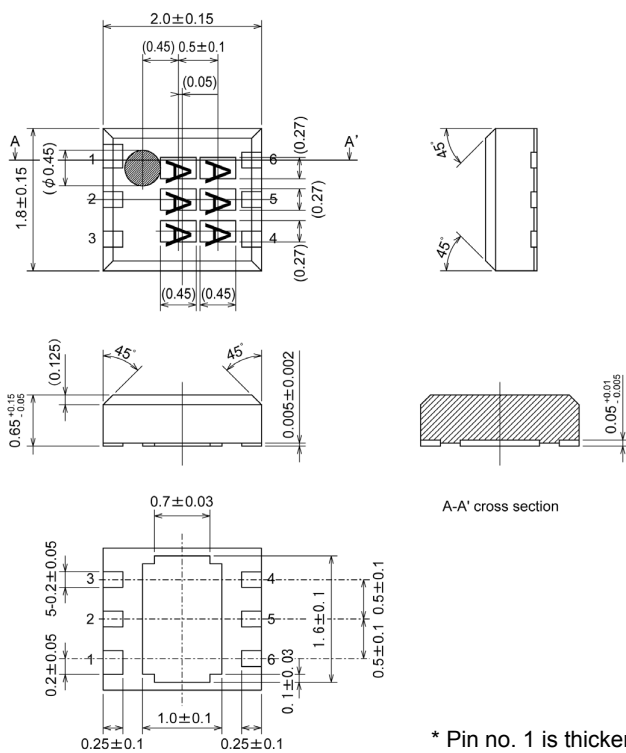
● SOT-25 (SOT-23-5)



● SOT-89-5



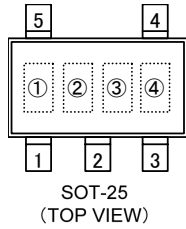
● USP-6B



* Pin no. 1 is thicker than other pins.

MARKING RULE

●SOT-25



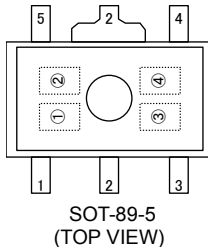
①Represents product series

MARK	PRODUCT SERIES
0	XC6210xxxxxx

②Represents CE function

MARK		PRODUCT SERIES
VOLTAGE=0.1~3.0V	VOLTAGE=3.1~6.0V	
V	A	XC6210Axxxxx
X	B	XC6210Bxxxxx
Y	C	XC6210Cxxxxx
Z	D	XC6210Dxxxxx

●SOT-89-5



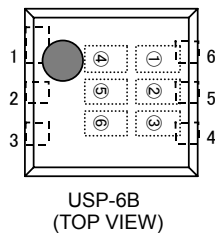
③Represents output voltage

MARK	OUTPUT VOLTAGE (V)		MARK	OUTPUT VOLTAGE (V)	
0	-	3.1	F	1.6	4.6
1	-	3.2	H	1.7	4.7
2	-	3.3	K	1.8	4.8
3	-	3.4	L	1.9	4.9
4	-	3.5	M	2.0	5.0
5	-	3.6	N	2.1	-
6	-	3.7	P	2.2	-
7	0.8	3.8	R	2.3	-
8	0.9	3.9	S	2.4	-
9	1.0	4.0	T	2.5	-
A	1.1	4.1	U	2.6	-
B	1.2	4.2	V	2.7	-
C	1.3	4.3	X	2.8	-
D	1.4	4.4	Y	2.9	-
E	1.5	4.5	Z	3.0	-

④Represents production lot number

0 to 9, A to Z reverse character 0 to 9, A to Z repeated (G, I, J, O, Q, W excepted)

●USP-6B



①②Represents product series

MARK		PRODUCT SERIES
①	②	
1	0	XC6210xxxxxx

③Represents CE Function

MARK	TYPE	PRODUCT SERIES
A	High Active With Pull-Down Resistor	XC6210AxxxDx
B	High Active With No Pull-Down Resistor	XC6210AxxxDx
C	Low Active With Pull-Up Resistor	XC6210AxxxDx
D	Low Active With No Pull-Up Resistor	XC6210AxxxDx
S	Custom	XC6210AxxxDx

④⑤Represents output voltage

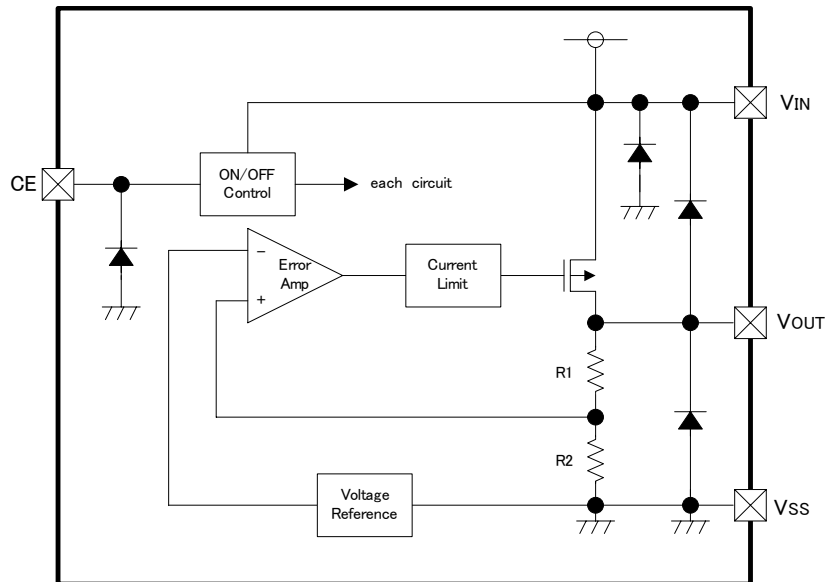
MARK		VOLTAGE (V)	PRODUCT SERIES
④	⑤		
3	3	3.3	XC6210x33xDx
5	0	5.0	XC6210x53xDx

⑥Represents production lot number

0 to 9, A to Z repeated (G, I, J, O, Q, W, excepted)

Note: No character inversion used.

■ **BLOCK DIAGRAM**



■ **ABSOLUTE MAXIMUM RATINGS**

Ta=25°C

PARAMETER	SYMBOL	RATINGS	UNITS
Input Voltage	V _{IN}	6.5	V
Output Current *	I _{OUT}	900	mA
Output Voltage	V _{OUT}	V _{SS} -0.3 ~ V _{IN} +0.3	V
CE Pin Voltage	V _{CE}	V _{SS} -0.3 ~ 6.5	V
Power Dissipation	SOT-25	250	mW
	SOT-89-5	500	
	USP-6B	100	
Operating Temperature Range	T _{opr}	- 40 ~ + 85	°C
Storage Temperature Range	T _{stg}	- 55 ~ + 125	°C

* I_{OUT}=P_d / (V_{IN} - V_{OUT})

ELECTRICAL CHARACTERISTICS

●XC6210 series

Ta=25°C

PARAMETER	SYMBOL	CONDITIONS	MIN.	TYP.	MAX.	UNITS	CIRCUIT
Output Voltage (*2), (*3)	V _{OUT(E)}	V _{IN} =V _{OUT(T)} +1.0V, I _{OUT} =30mA V _{CE} =ON (V _{IN} or V _{SS})	x 0.98	V _{OUT(T)}	x 1.02	V	①
		V _{OUT(T)} ≤1.5V, I _{OUT} =30mA V _{CE} =ON (V _{IN} or V _{SS})	(-30mV)	V _{OUT(T)}	(+30mV)		
Maximum Output Current [V _{OUT(E)} >1.6V]	I _{OUTMAX}	V _{IN} =V _{OUT(T)} +1.0V, V _{CE} =ON (V _{IN} or V _{SS})	700	-	-	mA	①
Maximum Output Current [V _{OUT(E)} ≤1.5V]	I _{OUTMAX}	V _{IN} =V _{OUT(T)} +1.0V, V _{CE} =ON (V _{IN} or V _{SS})	500	-	-		
Load Regulation	ΔV _{OUT}	1mA≤I _{OUT} ≤100mA, V _{CE} =ON (V _{IN} or V _{SS})	-	15	60	mV	①
Dropout Voltage (*4)	V _{dif1}	I _{OUT} =30mA, V _{CE} =ON (V _{IN} or V _{SS})	E-1			mV	①
	V _{dif2}	I _{OUT} =100mA, V _{CE} =ON (V _{IN} or V _{SS})	E-2				
Supply Current (A type)	I _{DD}	V _{IN} =V _{CE} =V _{OUT(T)} +1.0V	E-3			μA	②
Supply Current (B type)		V _{IN} =V _{CE} =V _{OUT(T)} +1.0V	-	35	55		
Supply Current (C type)		V _{IN} =V _{OUT(T)} +1.0V, V _{CE} =V _{SS}	E-3				
Supply Current (D type)		V _{IN} =V _{OUT(T)} +1.0V, V _{CE} =V _{SS}	-	35	55		
Line Regulation	$\frac{\Delta V_{OUT}}{\Delta V_{IN} \cdot V_{OUT}}$	V _{OUT(T)} +1.0V≤V _{IN} ≤6.0V When V _{OUT(T)} ≥4.5V, 5.5V≤V _{IN} ≤6.0V V _{CE} =ON (V _{IN} or V _{SS}), I _{OUT} =30mA	-	0.01	0.20	% / V	①
Input Voltage	V _{IN}	-	1.5	-	6.0	V	-
Output Voltage Temperature Characteristics	$\frac{\Delta V_{OUT}}{\Delta T_{opr} \cdot V_{OUT}}$	I _{OUT} =30mA, V _{CE} =ON (V _{IN} or V _{SS}) -40°C≤T _{opr} ≤85°C	-	±100	-	ppm/ °C	①
Ripple Rejection Rate	PSRR	V _{IN} =[V _{OUT(T)} +1.0]V+0.5Vp-pAC When V _{OUT(T)} ≥4.75V → V _{IN} =5.75V _{DC} +0.5Vp-pAC V _{CE} =ON (V _{IN} or V _{SS}), I _{OUT} =30mA, f=1kHz	-	60	-	dB	③
Current Limiter [V _{OUT(E)} >1.6V]	I _{lim}	V _{IN} =V _{OUT(T)} +1.0V, V _{CE} =ON (V _{IN} or V _{SS})	700	800	-	mA	①
Current Limiter [V _{OUT(E)} ≤1.5V]	I _{lim}	V _{IN} =V _{OUT(T)} +1.0V, V _{CE} =ON (V _{IN} or V _{SS})	-	800	-		
Short-Circuit Current	I _{short}	V _{IN} =V _{OUT(T)} +1.0V, V _{CE} =ON (V _{IN} or V _{SS})	-	50	-	mA	①
CE "High" Level Voltage	V _{CEH}	-	1.3	-	6.0	V	①
CE "Low" Level Voltage	V _{CEL}	-	-	-	0.25		
CE "High" Level Current (A type)	I _{CEH}	V _{IN} =V _{CE} =V _{OUT(T)} +1.0V	E-4	-	E-4	μA	①
CE "High" Level Current (B / C / D type)			- 0.10	-	0.10		
CE "Low" Level Current (C type)	I _{CEL}	V _{IN} =V _{OUT(T)} +1.0V, V _{CE} =V _{SS}	E-5	-	E-5	μA	①
CE "Low" Level Current (A / B / D type)			- 0.10	-	0.10		

NOTE:

*1: Unless otherwise stated, V_{IN}=V_{OUT(T)}+1.0V

*2: V_{OUT(T)}=Specified output voltage

*3: V_{OUT(E)}=Effective output voltage

(i.e. the output voltage when "V_{OUT(T)}+1.0V" is provided while maintaining a certain I_{OUT} value).

*4: V_{dif}={V_{IN1}⁽⁶⁾-V_{OUT1}^{(5)}}

*5: A voltage equal to 98% of the output voltage whenever a stabilized V_{OUT1}=I_{OUT}{V_{OUT(T)}+1.0V} is input.

*6: V_{IN1}= the input voltage when V_{OUT1}, which appears as input voltage is gradually decreased.

*7: V_{OUT(T)}≤1.50V MIN. : V_{OUT(T)} - 30mV, MAX. : V_{OUT(T)} +30mV

*8: CE conditions: XC6210A / B type: ON=V_{IN}, OFF=V_{SS}
XC6210C / D type: ON=V_{SS}, OFF=V_{IN}

■ VOLTAGE CHART

● Dropout Voltage, Supply Current, CE "H / L" Level Current Chart

Ta=25°C

SETTING OUTPUT VOLTAGE	OUTPUT VOLTAGE (Accuracy: 2%)		E-1		E-2		E-3		E-4		E-5	
			DROPOUT VOLTAGE 1 (I _{OUT} =30mA)		DROPOUT VOLTAGE 2 (I _{OUT} =100mA)		SUPPLY CURRENT		CE "H" LEVEL CURRENT		CE "L" LEVEL CURRENT	
			(V)		(mV)		(mV)		(μA)		(μA)	
V _{OUT} (T)	V _{OUT}		V _{dif1}		V _{dif2}		I _{DD}		I _{CEH}		I _{CEL}	
	MIN.	MAX.	TYP.	MAX.	TYP.	MAX.	TYP.	MAX.	MIN.	MAX.	MIN.	MAX.
0.80	0.770	0.830	100.0	700.0	250.0	800.0	38.0	60.0	1.50	5.00	-5.00	-1.50
0.90	0.870	0.930		600.0		700.0						
1.00	0.970	1.030	50.0	500.0	150.0	600.0	38.5	61.5	2.00	6.50	-6.50	-2.00
1.10	1.070	1.130		400.0		500.0						
1.20	1.170	1.230	30.0	300.0	100.0	400.0	39.0	63.0	2.50	8.00	-8.00	-2.50
1.30	1.270	1.330		200.0		300.0						
1.40	1.370	1.430		100.0		250.0						
1.50	1.470	1.530	27.0	41.0	90.0	135.0	39.0	63.0	2.50	8.00	-8.00	-2.50
1.60	1.568	1.632										
1.70	1.666	1.734										
1.80	1.764	1.836										
1.90	1.862	1.938										
2.00	1.960	2.040	25.0	37.0	80.0	120.0	39.5	64.5	3.00	9.50	-9.50	-3.00
2.10	2.058	2.142										
2.20	2.156	2.244										
2.30	2.254	2.346										
2.40	2.352	2.448										
2.50	2.450	2.550	18.0	28.0	60.0	90.0	40.0	66.0	3.50	11.00	-11.00	-3.50
2.60	2.548	2.652										
2.70	2.646	2.754										
2.80	2.744	2.856										
2.90	2.842	2.958										

■ VOLTAGE CHART (Continued)

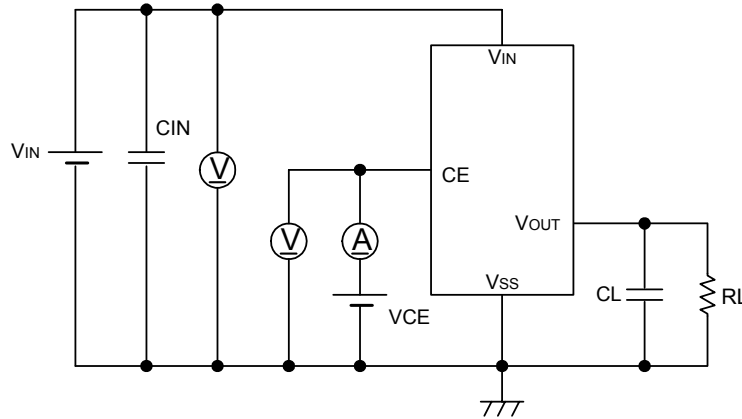
● Dropout Voltage, Supply Current, CE "H / L" Level Current Chart

Ta=25°C

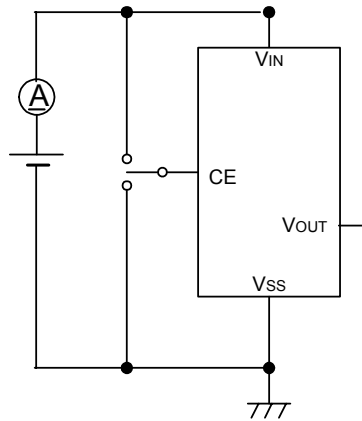
SETTING OUTPUT VOLTAGE	OUTPUT VOLTAGE (Accuracy: 2%)		E-1		E-2		E-3		E-4		E-5									
			DROPOUT VOLTAGE 1 (I _{OUT} =30mA)		DROPOUT VOLTAGE 2 (I _{OUT} =100mA)		SUPPLY CURRENT		CE "H" LEVEL CURRENT		CE "L" LEVEL CURRENT									
(V)	(V)		(mV)		(mV)		(μA)		(μA)		(μA)									
V _{OUT(T)}	V _{OUT}		V _{dif1}		V _{dif2}		I _{DD}		I _{CEH}		I _{CEL}									
	MIN.	MAX.	TYP.	MAX.	TYP.	MAX.	TYP.	MAX.	MIN.	MAX.	MIN.	MAX.								
3.00	2.940	3.060	15.0	23.0	50.0	75.0	40.5	67.5	4.00	12.50	-12.50	-4.00								
3.10	3.038	3.162																		
3.20	3.136	3.264																		
3.30	3.234	3.366					15.0	23.0	50.0	75.0	41.0	69.0	4.40	14.00	-14.00	-4.40				
3.40	3.332	3.468																		
3.50	3.430	3.570																		
3.60	3.528	3.672									15.0	23.0	50.0	75.0	41.5	70.5	4.85	15.50	-15.50	-4.85
3.70	3.626	3.774																		
3.80	3.724	3.876																		
3.90	3.822	3.978	15.0	23.0	50.0	75.0									42.0	72.0	5.30	17.00	-17.00	-5.30
4.00	3.920	4.080																		
4.10	4.018	4.182																		
4.20	4.116	4.284					15.0	23.0	50.0	75.0					42.0	72.0	5.30	17.00	-17.00	-5.30
4.30	4.214	4.386																		
4.40	4.312	4.488																		
4.50	4.410	4.590									15.0	23.0	50.0	75.0	42.0	72.0	5.30	17.00	-17.00	-5.30
4.60	4.508	4.692																		
4.70	4.606	4.794																		
4.80	4.704	4.896	15.0	23.0	50.0	75.0									42.0	72.0	5.30	17.00	-17.00	-5.30
4.90	4.802	4.998																		
5.00	4.900	5.100																		

TEST CIRCUITS

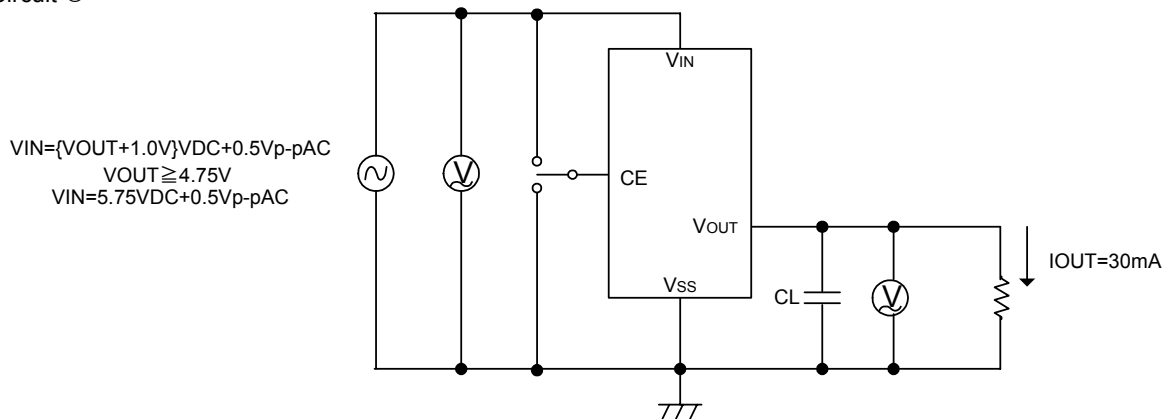
● Circuit ①



● Circuit ②



● Circuit ③



● Output Capacitor Corresponding Chart

VR OUTPUT VOLTAGE	0.8V~1.45V	1.5V ~ 1.75V	1.8V ~ 5.0V
CL	More than 6.8 μ F	More than 4.7 μ F	More than 1.0 μ F

■ OPERATIONAL EXPLANATION

<Output Voltage Regulator Control>

The voltage, divided by resistors R1 & R2, which are connected to the V_{OUT} pin is compared with the internal reference voltage by the error amplifier. The P-channel MOSFET, which is connected to the V_{OUT} pin, is then driven by the subsequent output signal. The output voltage at the V_{OUT} pin is controlled & stabilized by negative feedback. The constant current limit circuit and short circuit protection operate in relation to the level of output current.

<Low ESR Capacitor>

With the XC6210 series regulator, a stable output voltage is achievable even if low ESR capacitors are used, as a phase compensation circuit is built into the regulator. In order to ensure the effectiveness of the phase compensation, we suggest that an output capacitor (C_L) be connected as close as possible, between the output pin (V_{OUT}) and the V_{SS} pin. Please use an output capacitor (C_L) with a capacitance, based on the chart below. We also suggest an input capacitor (C_{IN}) of 1 μ F: this should be connected between V_{IN} and V_{SS} in order to stabilize input power source.

Output Capacitor Corresponding Chart

V _{OUT}	0.8V ~ 1.45V	1.5V ~ 1.75V	1.8V ~ 5.0V
C _L	More than 6.8 μ F	More than 4.7 μ F	More than 1.0 μ F

<Current Limiter, Short-Circuit Protection>

The XC6210 series regulator offers a combination of current limit and short circuit protection by means of a built-in fixed current limiter circuit and a foldback circuit. When the load current reaches the current limit level, the fixed current limiter circuit operates and output voltage drops. As a result of this drop in output voltage, the foldback circuit operates, the output voltage drops further and output current decreases. When the output pin is shorted, a current of about 50mA flows.

<CE Pin>

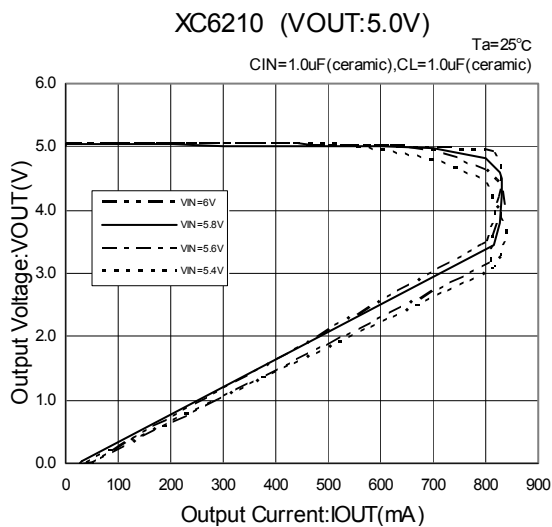
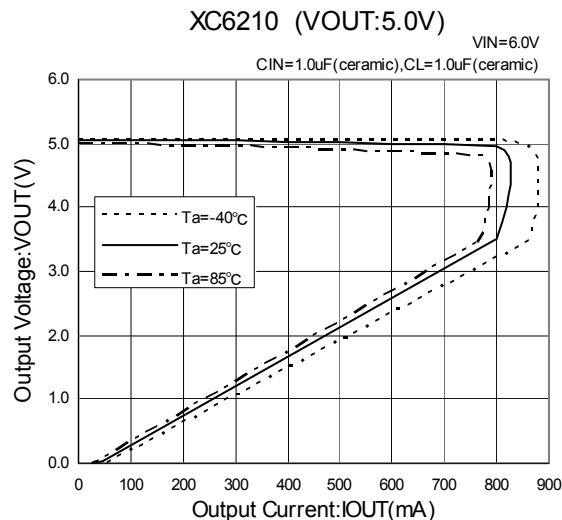
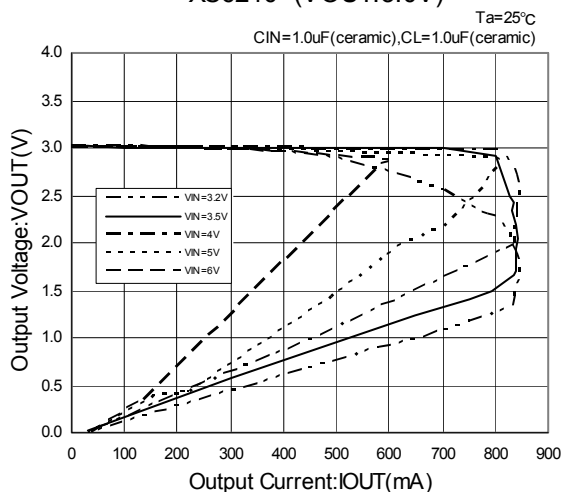
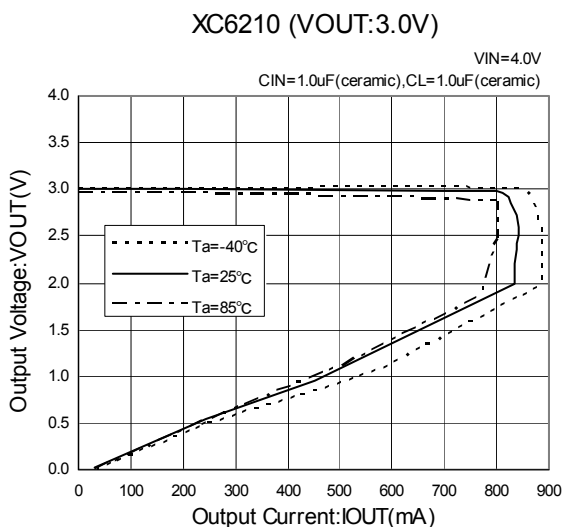
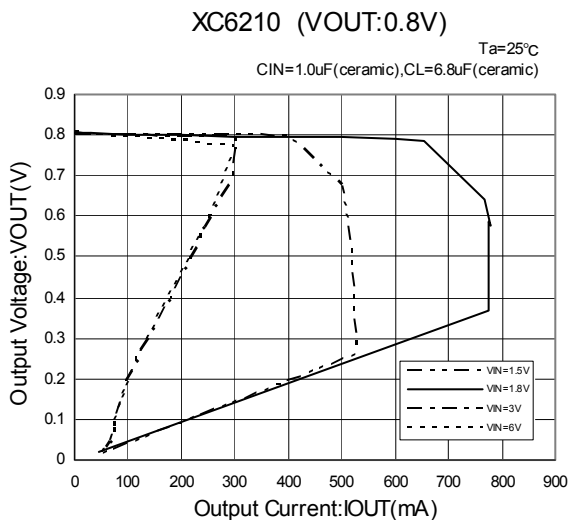
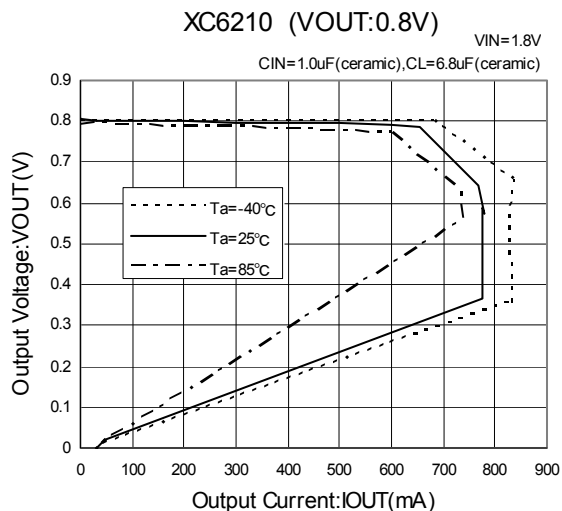
The IC's internal regulator circuitry can be shut down via the signal from the CE pin with the XC6210 series. In shutdown mode, output at the V_{OUT} pin will be pulled down to the V_{SS} level via R1 & R2. Options are available for the CE pin logic (See the product classification). Note that as the XC6210B types are 'High Active / No Pull-Down', operations will become unstable with the CE pin open. Although the CE pin is equal to an inverter input with CMOS hysteresis, with either the pull-up or pull-down options, the CE pin input current will increase when the IC is in operation. We suggest that you use this IC with either a V_{IN} voltage or a V_{SS} voltage input at the CE pin. If this IC is used with the correct specifications for the CE pin, the IC will operate normally. However, supply current may increase as a result of through current in the IC's internal circuitry if a voltage other than V_{IN} or V_{SS} is applied.

■ NOTES ON USE

1. Please use this IC within the stated absolute maximum ratings. The IC is liable to malfunction should the ratings be exceeded.
2. Where wiring impedance is high, operations may become unstable due to noise and/or phase lag depending on output current. Please strengthen V_{IN} and V_{SS} wiring in particular.
3. Please wire the input capacitor (C_{IN}) and the output capacitor (C_L) as close to the IC as possible. Should rapid input fluctuation or load fluctuation occur, please increase the capacitor value such as C_{IN} or C_L to stabilize the operation.

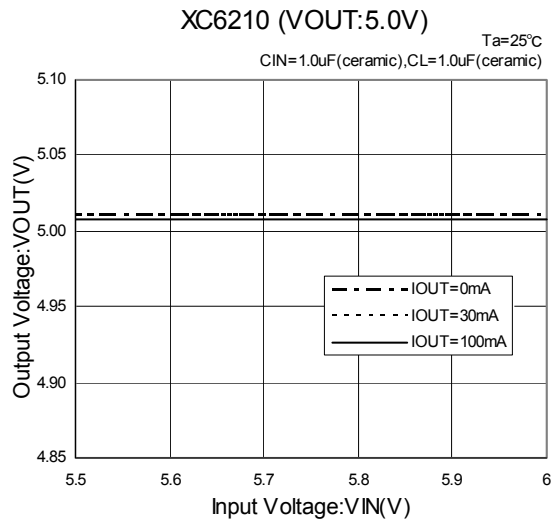
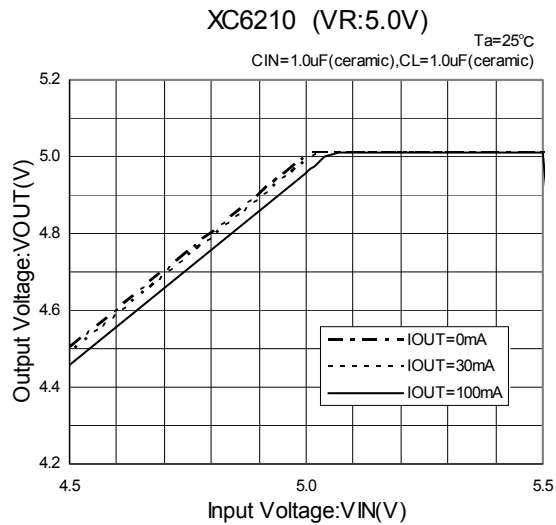
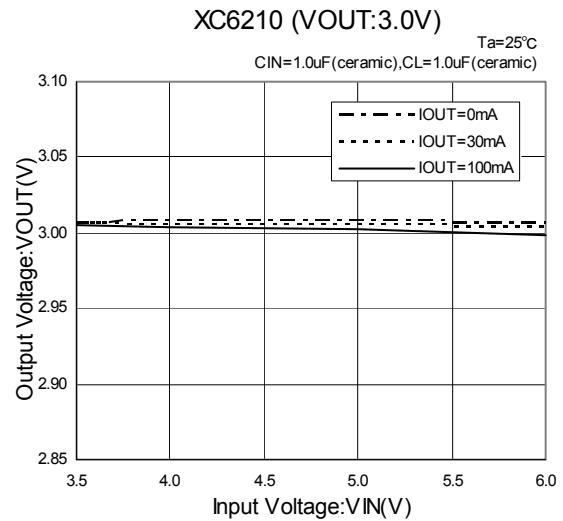
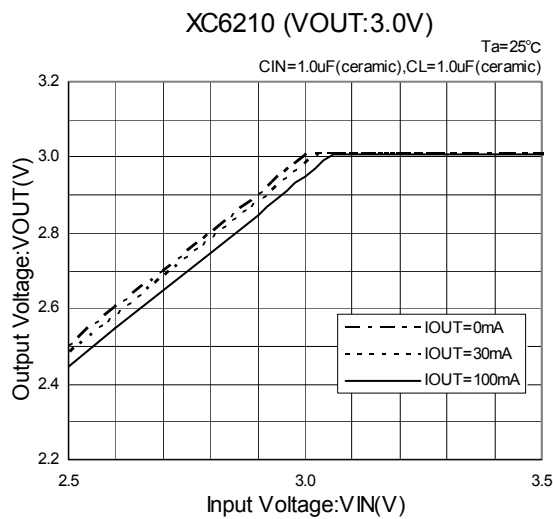
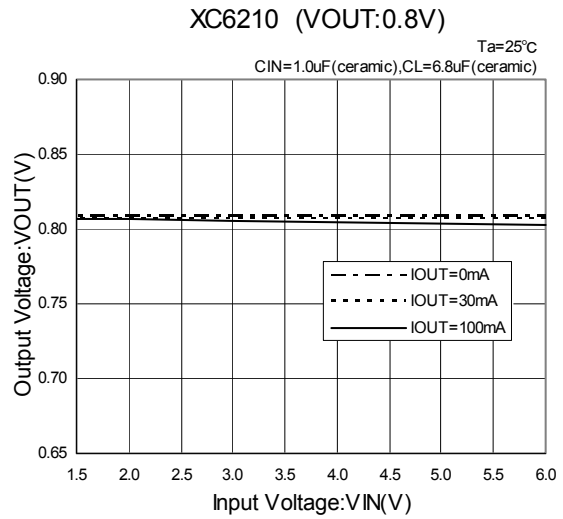
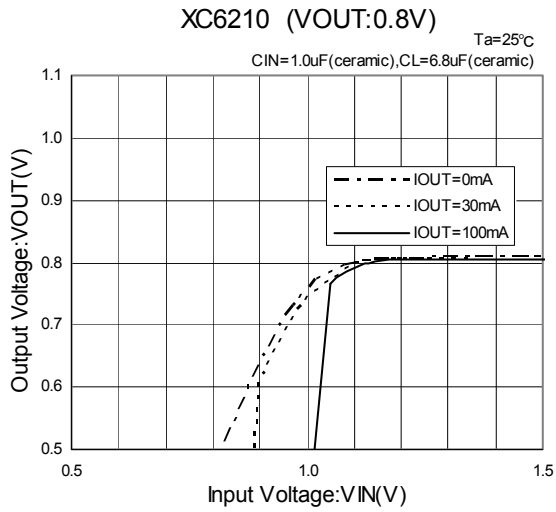
TYPICAL PERFORMANCE CHARACTERISTICS

(1) Output Voltage vs. Output Current



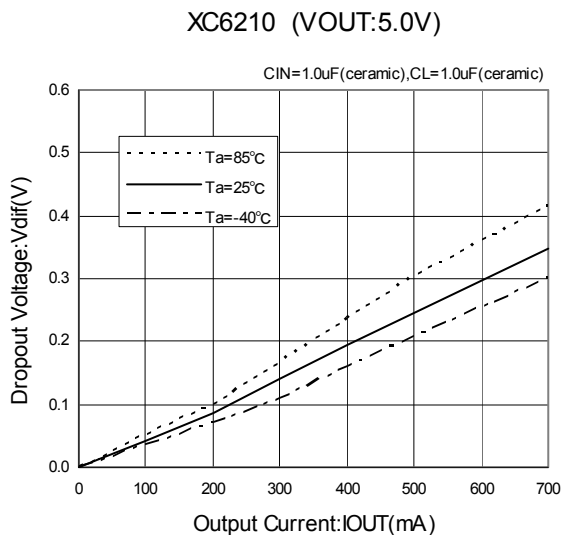
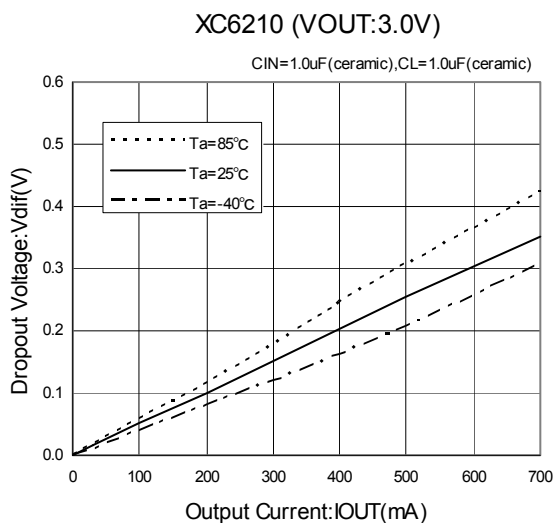
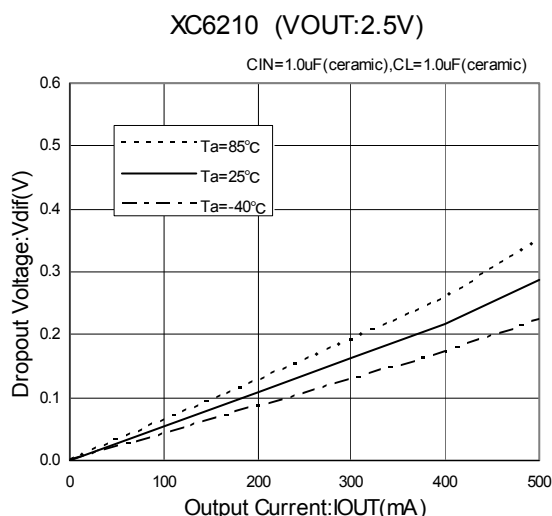
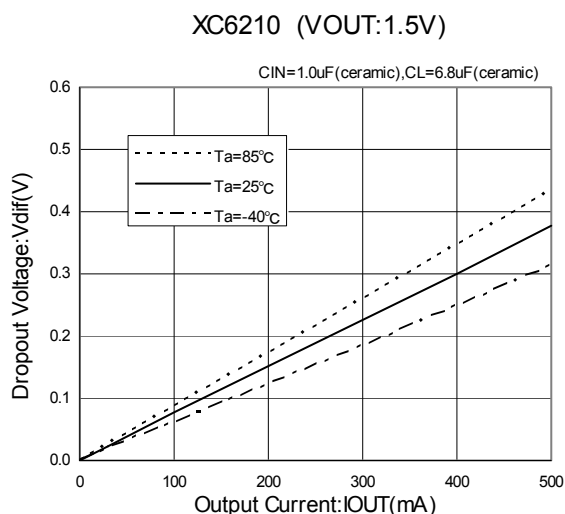
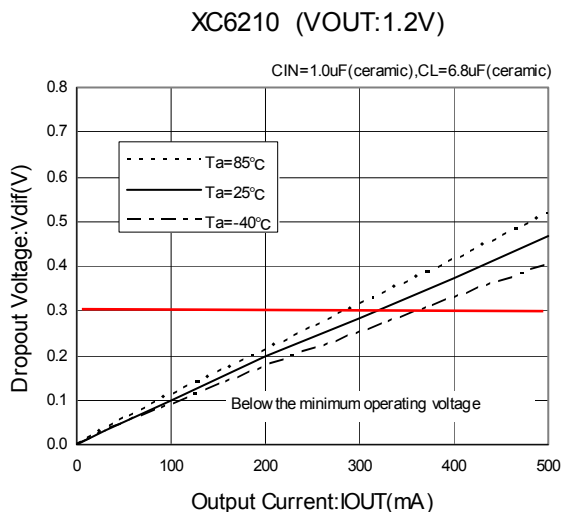
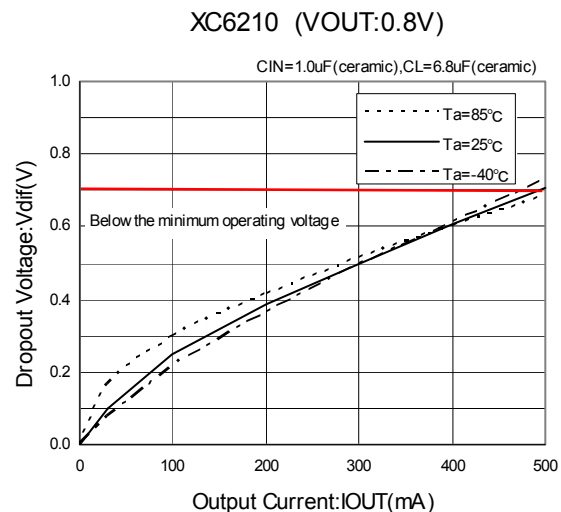
TYPICAL PERFORMANCE CHARACTERISTICS (Continued)

(2) Output Voltage vs. Input Voltage



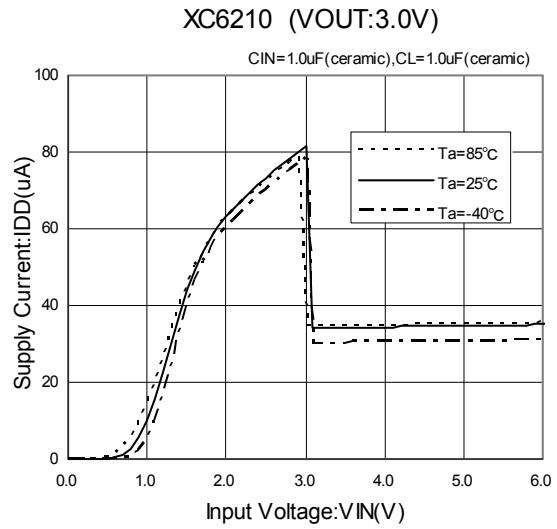
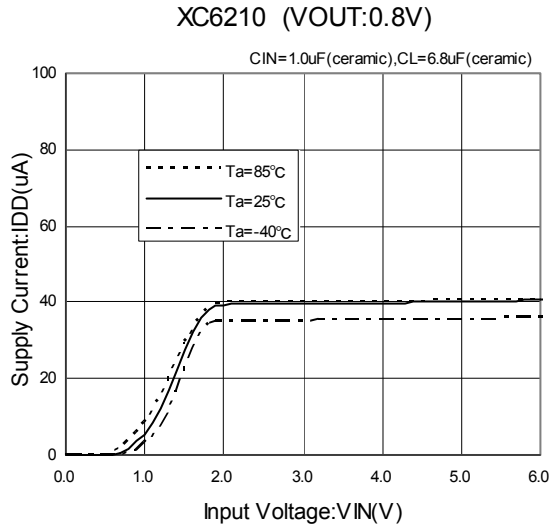
■ TYPICAL PERFORMANCE CHARACTERISTICS (Continued)

(3) Dropout Voltage vs. Output Current

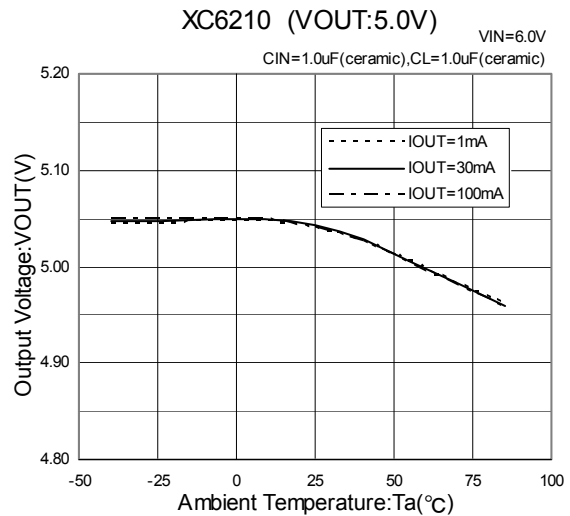
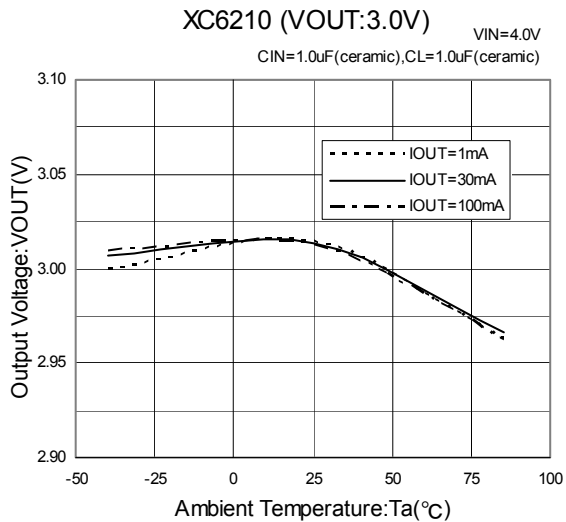
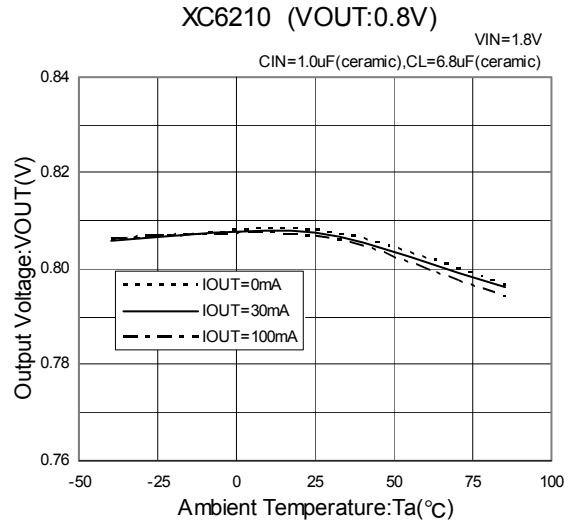
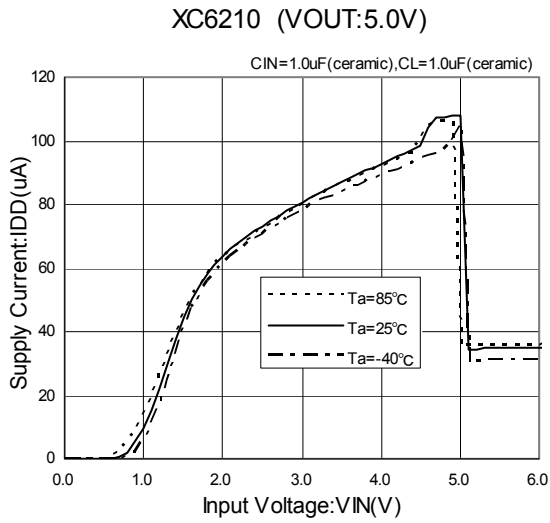


TYPICAL PERFORMANCE CHARACTERISTICS (Continued)

(4) Supply Current vs. Input Voltage

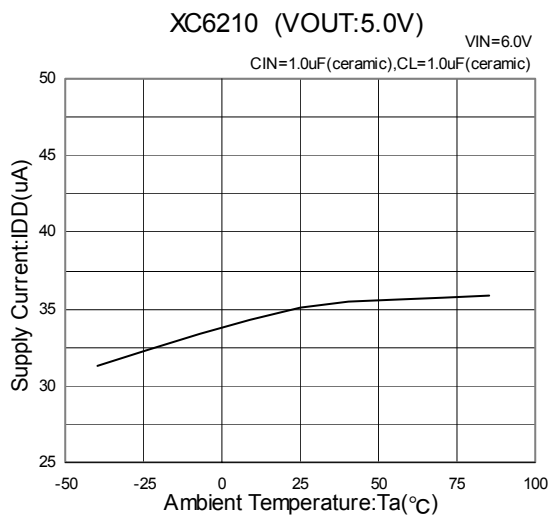
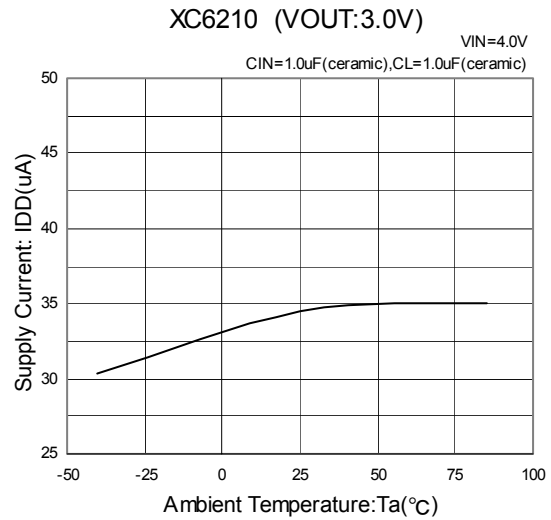
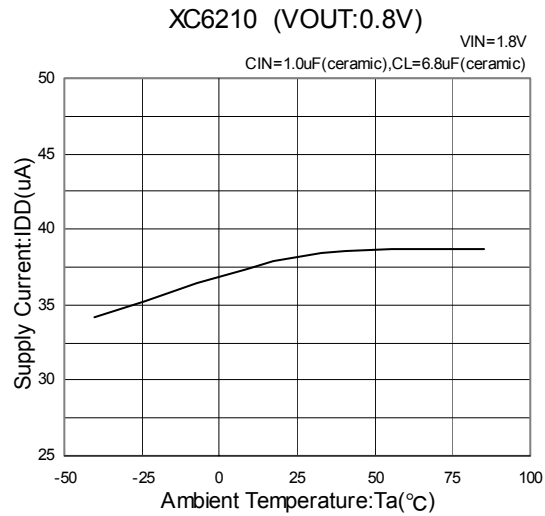


(5) Output Voltage vs. Ambient Temperature

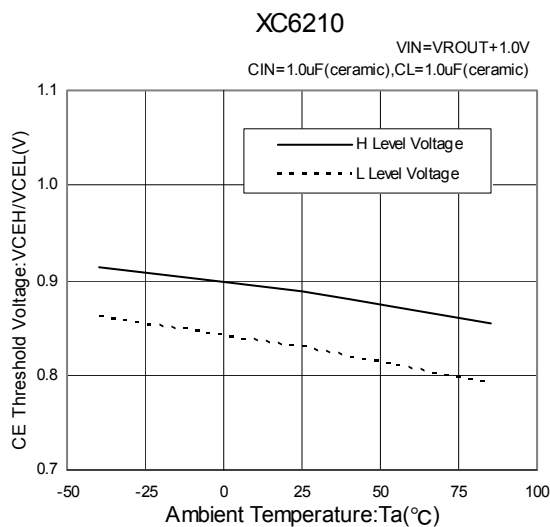


TYPICAL PERFORMANCE CHARACTERISTICS (Continued)

(6) Supply Current vs. Ambient Temperature

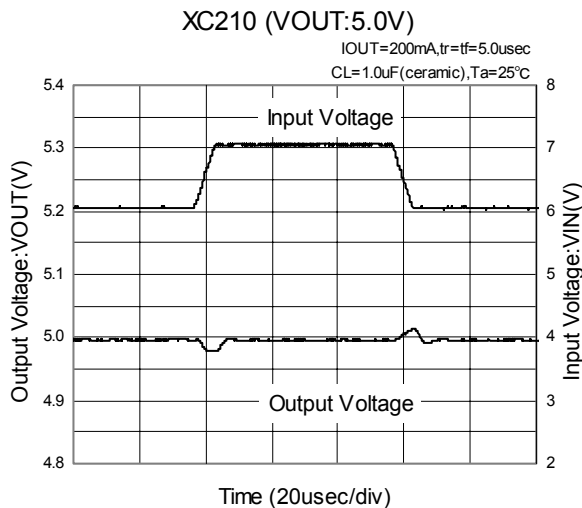
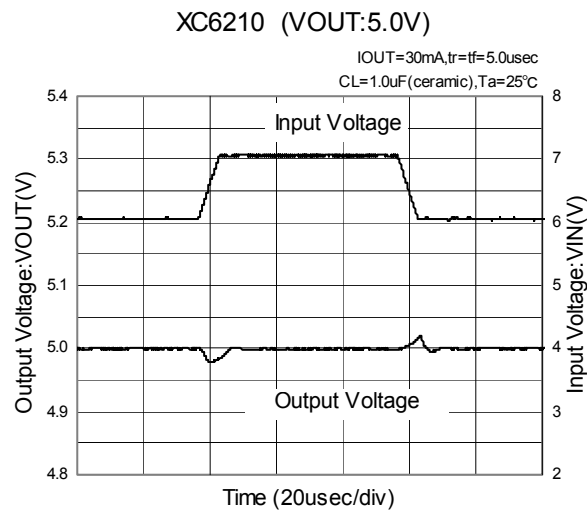
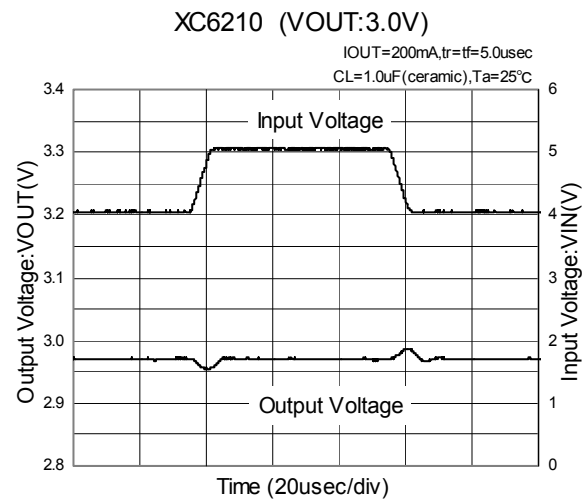
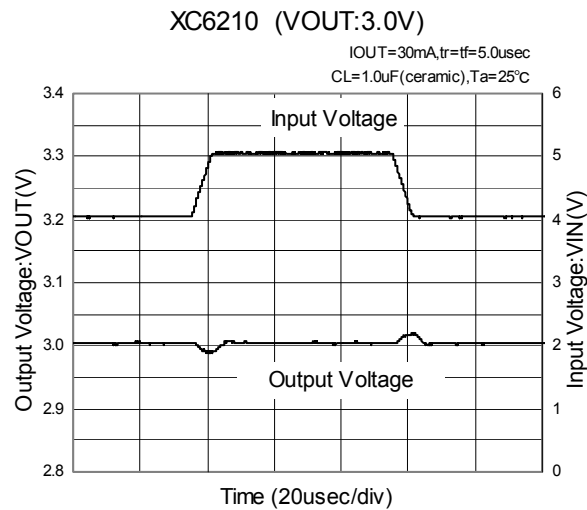
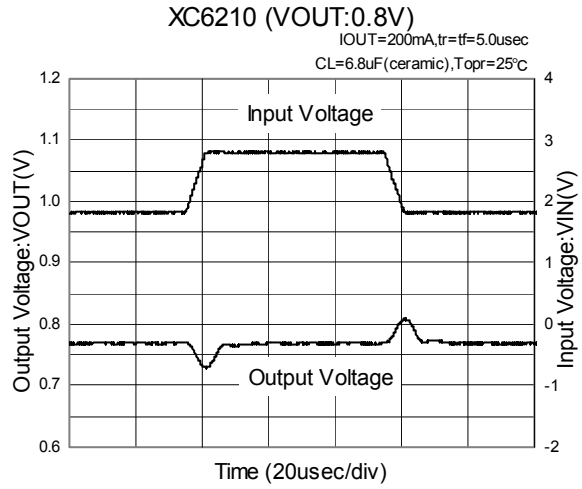
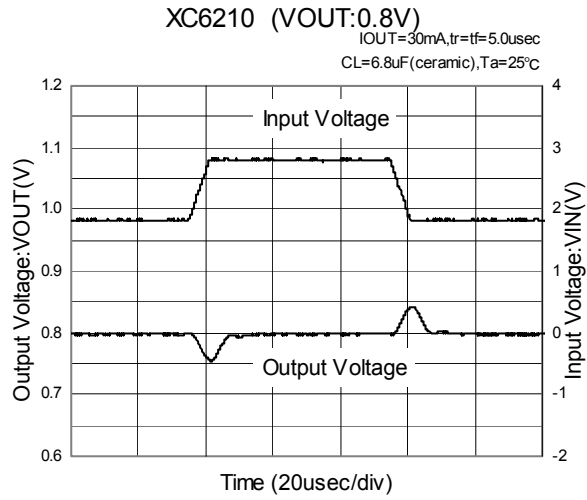


(7) CE Pin Threshold Voltage vs. Ambient Temperature



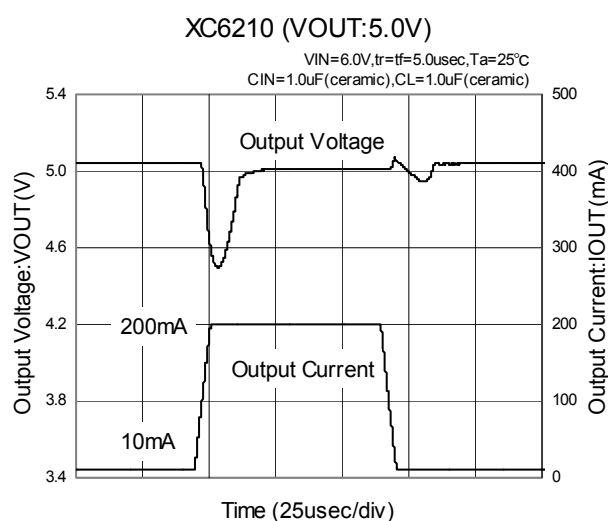
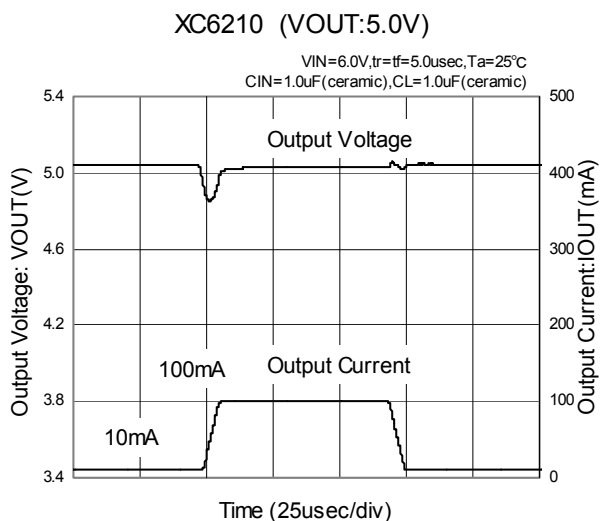
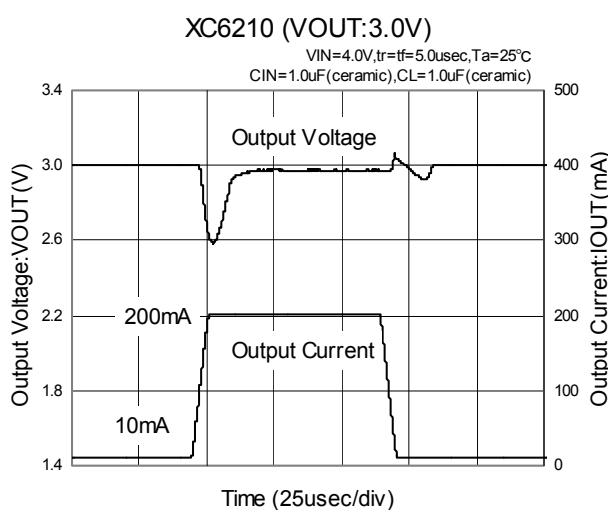
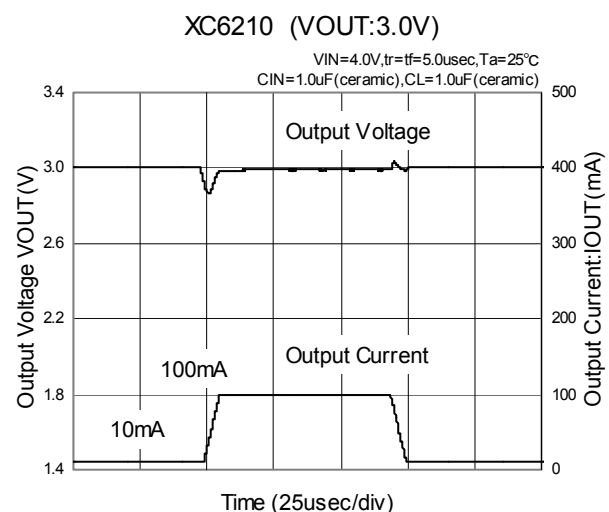
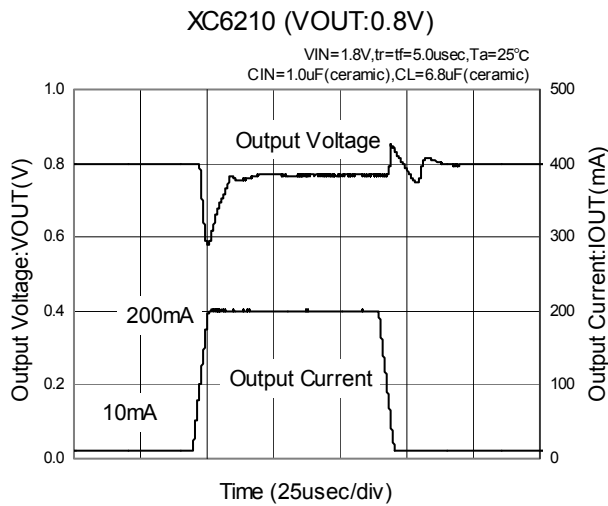
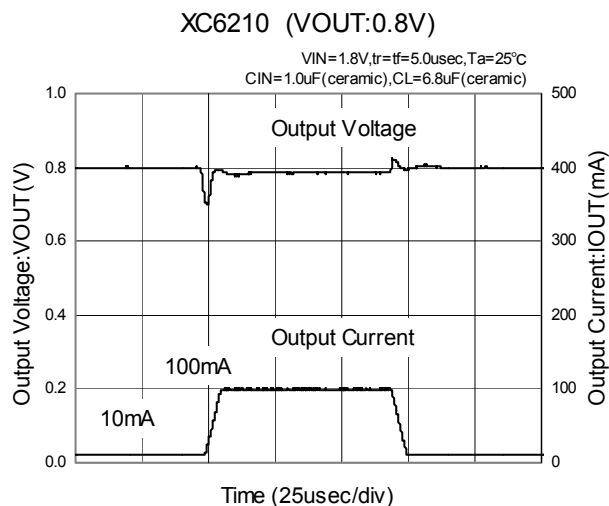
TYPICAL PERFORMANCE CHARACTERISTICS (Continued)

(8) Input Transient Response 1



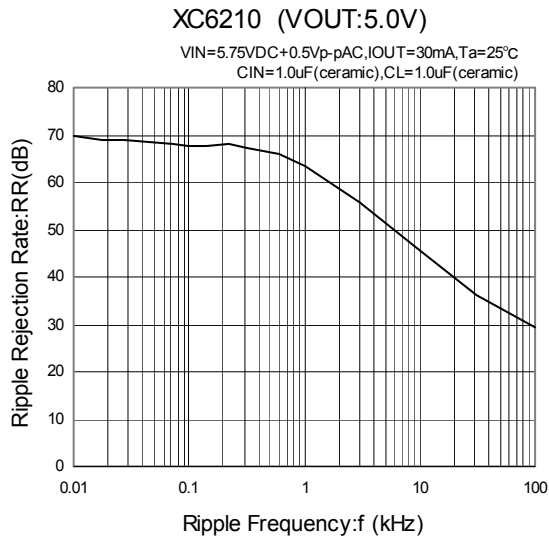
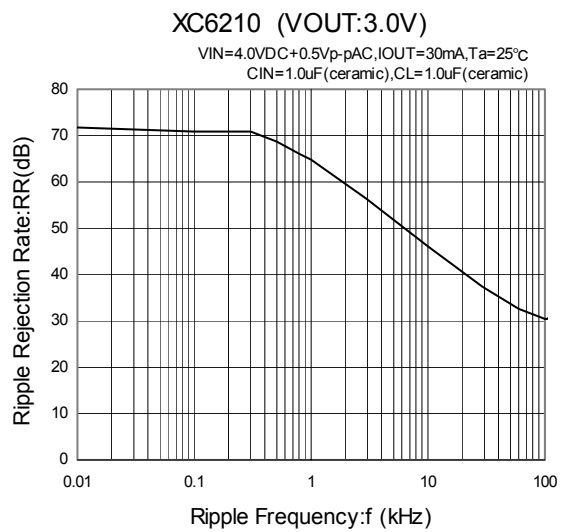
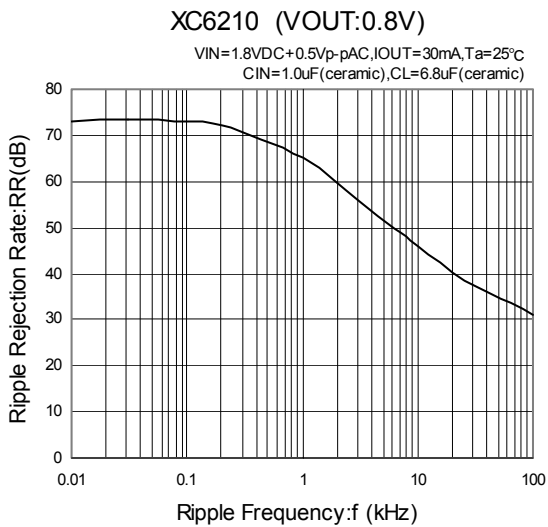
TYPICAL PERFORMANCE CHARACTERISTICS (Continued)

(9) Load Transient Response



■ TYPICAL PERFORMANCE CHARACTERISTICS (Continued)

(10) Ripple Rejection Rate



TYPICAL PERFORMANCE CHARACTERISTICS (Continued)

(11) Input Transient Response 2

