

SOJ, TSOP, FP-BGA
Commercial Temp
Industrial Temp

256K x 16
4Mb Asynchronous SRAM

8, 10, 12 ns
3.3 V V_{DD}
Center V_{DD} and V_{SS}

Features

- Fast access time: 8, 10, 12 ns
- CMOS low power operation: 130/105/95 mA at minimum cycle time
- Single 3.3 V power supply
- All inputs and outputs are TTL-compatible
- Byte control
- Fully static operation
- Industrial Temperature Option: -40° to 85°C
- Package line up
 - J: 400 mil, 44-pin SOJ package
 - GJ: RoHS-compliant 400 mil, 44-pin SOJ package
 - TP: 400 mil, 44-pin TSOP Type II package
 - GP: RoHS-compliant 400 mil, 44-pin TSOP Type II package
 - X: 6 mm x 10 mm Fine Pitch Ball Grid Array package
 - GX: RoHS-compliant 6 mm x 10 mm Fine Pitch Ball Grid Array package
- RoHS-compliant SOJ, TSOP-II, and FP-BGA packages available

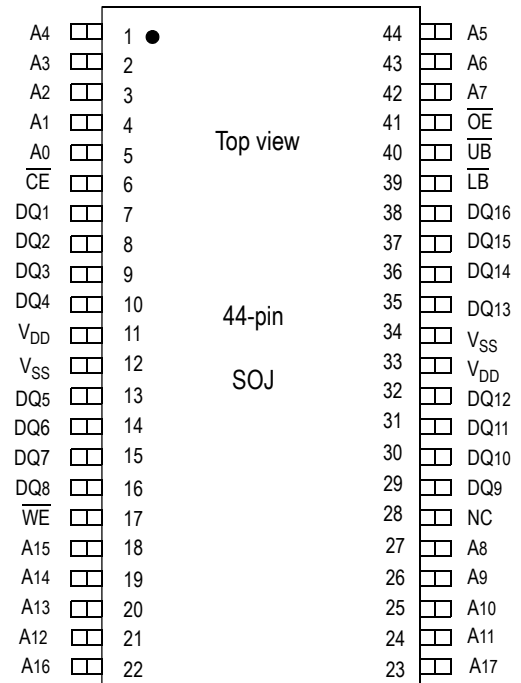
Pin Descriptions

Symbol	Description
A_0 – A_{17}	Address input
DQ_1 – DQ_{16}	Data input/output
\overline{CE}	Chip enable input
\overline{LB}	Lower byte enable input (DQ1 to DQ8)
\overline{UB}	Upper byte enable input (DQ9 to DQ16)
\overline{WE}	Write enable input
\overline{OE}	Output enable input
V_{DD}	+3.3 V power supply
V_{SS}	Ground
NC	No connect

Description

The GS74116A is a high speed CMOS Static RAM organized as 262,144 words by 16 bits. Static design eliminates the need for external clocks or timing strobes. The GS operates on a single 3.3 V power supply and all inputs and outputs are TTL-compatible. The GS74116A is available in a 6 x 10 mm Fine Pitch BGA package, 400 mil SOJ and 400 mil TSOP Type-II packages.

SOJ 256K x 16-Pin Configuration (Package J)

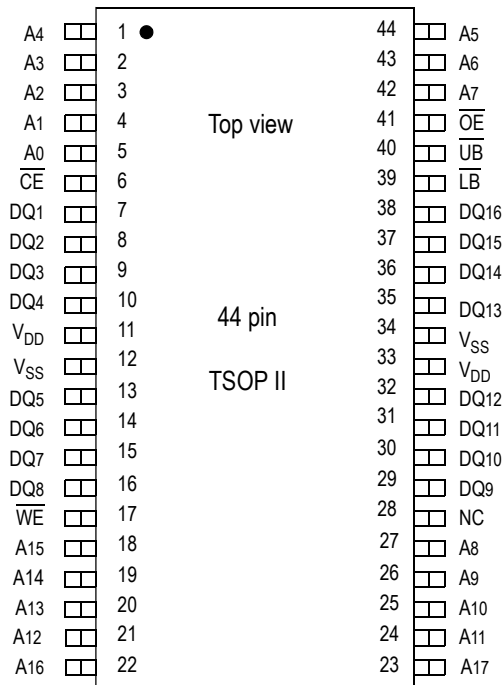


FP-BGA 256K x 16 Bump Configuration (Package X)

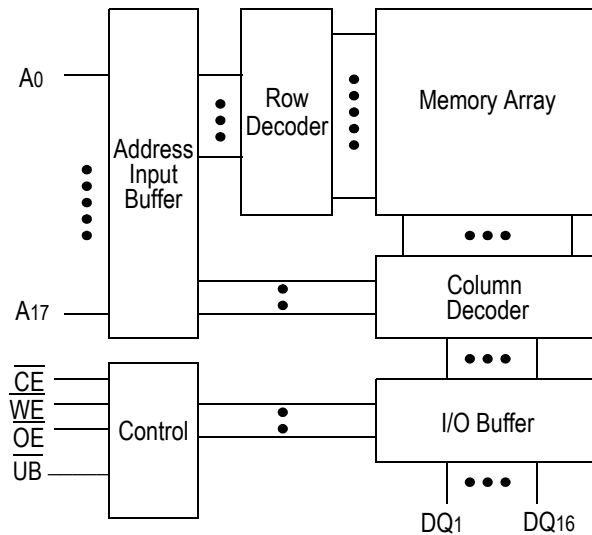
	1	2	3	4	5	6
A	$\overline{\text{LB}}$	$\overline{\text{OE}}$	A0	A1	A2	NC
B	DQ16	$\overline{\text{UB}}$	A3	A4	$\overline{\text{CE}}$	DQ1
C	DQ14	DQ15	A5	A6	DQ2	DQ3
D	VSS	DQ13	A17	A7	DQ4	VDD
E	VDD	DQ12	NC	A16	DQ5	VSS
F	DQ11	DQ10	A8	A9	DQ7	DQ6
G	DQ9	NC	A10	A11	$\overline{\text{WE}}$	DQ8
H	NC	A12	A13	A14	A15	NC

6 x 10 mm Bump Pitch
Top View

TSOP-II 256K x 16 Pin Configuration (Package TP)



Block Diagram



Truth Table

$\overline{\text{CE}}$	$\overline{\text{OE}}$	$\overline{\text{WE}}$	$\overline{\text{LB}}$	$\overline{\text{UB}}$	DQ1 to DQ8	DQ9 to DQ16	VDD Current
H	X	X	X	X	Not Selected	Not Selected	ISB1, ISB2
L	L	H	L	L	Read	Read	IDD
			L	H	Read	High Z	
			H	L	High Z	Read	
L	X	L	L	L	Write	Write	
			L	H	Write	Not Write, High Z	
			H	L	Not Write, High Z	Write	
L	H	H	X	X	High Z	High Z	
L	X	X	H	H	High Z	High Z	

Note:

X: "H" or "L"

Absolute Maximum Ratings

Parameter	Symbol	Rating	Unit
Supply Voltage	V_{DD}	-0.5 to +4.6	V
Input Voltage	V_{IN}	-0.5 to $V_{DD} + 0.5$ (≤ 4.6 V max.)	V
Output Voltage	V_{OUT}	-0.5 to $V_{DD} + 0.5$ (≤ 4.6 V max.)	V
Allowable power dissipation	PD	0.7	W
Storage temperature	T_{STG}	-55 to 150	$^{\circ}\text{C}$

Note:

Permanent device damage may occur if Absolute Maximum Ratings are exceeded. Functional operation shall be restricted to Recommended Operating Conditions. Exposure to higher than recommended voltages for extended periods of time could affect device reliability.

Recommended Operating Conditions

Parameter	Symbol	Min	Typ	Max	Unit
Supply Voltage for -8/-10/-12	V_{DD}	3.0	3.3	3.6	V
Input High Voltage	V_{IH}	2.0	—	$V_{DD} + 0.3$	V
Input Low Voltage	V_{IL}	-0.3	—	0.8	V
Ambient Temperature, Commercial Range	T_{Ac}	0	—	70	$^{\circ}\text{C}$
Ambient Temperature, Industrial Range	T_{AI}	-40	—	85	$^{\circ}\text{C}$

Notes:

1. Input overshoot voltage should be less than $V_{DD} + 2$ V and not exceed 20 ns.
2. Input undershoot voltage should be greater than -2 V and not exceed 20 ns.

Capacitance

Parameter	Symbol	Test Condition	Max	Unit
Input Capacitance	C_{IN}	$V_{IN} = 0$ V	5	pF
Output Capacitance	C_{OUT}	$V_{OUT} = 0$ V	7	pF

Notes:

1. Tested at $T_A = 25^{\circ}\text{C}$, $f = 1$ MHz
2. These parameters are sampled and are not 100% tested.

DC I/O Pin Characteristics

Parameter	Symbol	Test Conditions	Min	Max
Input Leakage Current	I_{IL}	$V_{IN} = 0 \text{ to } V_{DD}$	-1 μA	1 μA
Output Leakage Current	I_{LO}	Output High Z $V_{OUT} = 0 \text{ to } V_{DD}$	-1 μA	1 μA
Output High Voltage	V_{OH}	$I_{OH} = -4 \text{ mA}$	2.4	—
Output Low Voltage	V_{OL}	$I_{LO} = +4 \text{ mA}$	—	0.4 V

Power Supply Currents

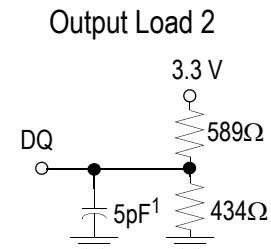
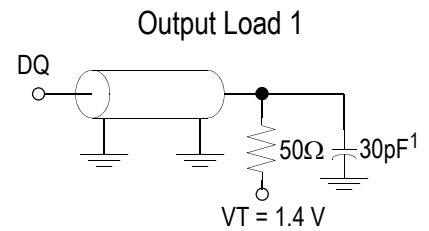
Parameter	Symbol	Test Conditions	0 to 70°C			-40 to 85°C			Unit
			8 ns	10 ns	12 ns	8 ns	10 ns	12 ns	
Operating Supply Current	I_{DD}	$\overline{CE} \leq V_{IL}$ All other inputs $\geq V_{IH}$ or $\leq V_{IL}$ Min. cycle time $I_{OUT} = 0 \text{ mA}$	130	105	90	140	115	100	mA
Standby Current	I_{SB1}	$\overline{CE} \geq V_{IH}$ All other inputs $\geq V_{IH}$ or $\leq V_{IL}$ Min. cycle time	30	25	25	40	35	35	mA
Standby Current	I_{SB2}	$\overline{CE} \geq V_{DD} - 0.2\text{V}$ All other inputs $\geq V_{DD} - 0.2 \text{ V}$ or $\leq 0.2 \text{ V}$	10			20			mA

AC Test Conditions

Parameter	Conditions
Input high level	$V_{IH} = 2.4 \text{ V}$
Input low level	$V_{IL} = 0.4 \text{ V}$
Input rise time	$t_r = 1 \text{ V/ns}$
Input fall time	$t_f = 1 \text{ V/ns}$
Input reference level	1.4 V
Output reference level	1.4 V
Output load	Fig. 1 & 2

Notes:

1. Include scope and jig capacitance.
2. Test conditions as specified with output loading as shown in Fig. 1 unless otherwise noted.
3. Output load 2 for t_{LZ} , t_{HZ} , t_{OLZ} and t_{OHZ}



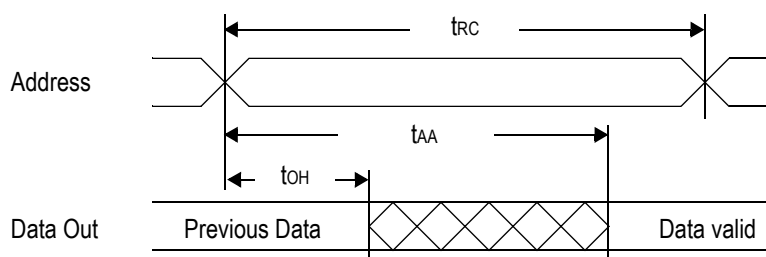
AC Characteristics

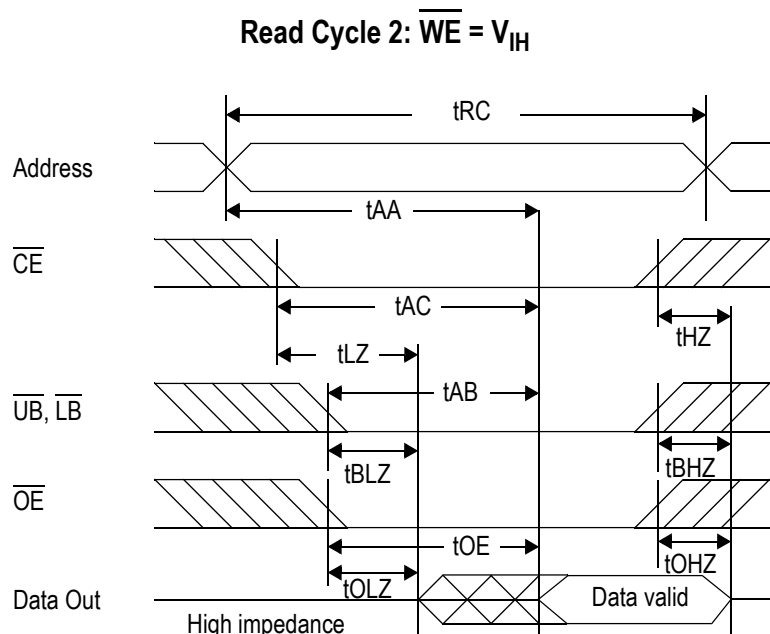
Read Cycle

Parameter	Symbol	-8		-10		-12		Unit
		Min	Max	Min	Max	Min	Max	
Read cycle time	t _{RC}	8	—	10	—	12	—	ns
Address access time	t _{AA}	—	8	—	10	—	12	ns
Chip enable access time (\overline{CE})	t _{AC}	—	8	—	10	—	12	ns
Byte enable access time (\overline{UB} , \overline{LB})	t _{AB}	—	3.5	—	4	—	5	ns
Output enable to output valid (\overline{OE})	t _{OE}	—	3.5	—	4	—	5	ns
Output hold from address change	t _{OH}	3	—	3	—	3	—	ns
Chip enable to output in low Z (\overline{CE})	t _{LZ} *	3	—	3	—	3	—	ns
Output enable to output in low Z (\overline{OE})	t _{OLZ} *	0	—	0	—	0	—	ns
Byte enable to output in low Z (\overline{UB} , \overline{LB})	t _{BLZ} *	0	—	0	—	0	—	ns
Chip disable to output in High Z (\overline{CE})	t _{HZ} *	—	4	—	5	—	6	ns
Output disable to output in High Z (\overline{OE})	t _{OHZ} *	—	3.5	—	4	—	5	ns
Byte disable to output in High Z (\overline{UB} , \overline{LB})	t _{BHZ} *	—	3.5	—	4	—	5	ns

* These parameters are sampled and are not 100% tested.

Read Cycle 1: $\overline{CE} = \overline{OE} = V_{IL}$, $\overline{WE} = V_{IH}$, \overline{UB} and, or $\overline{LB} = V_{IL}$

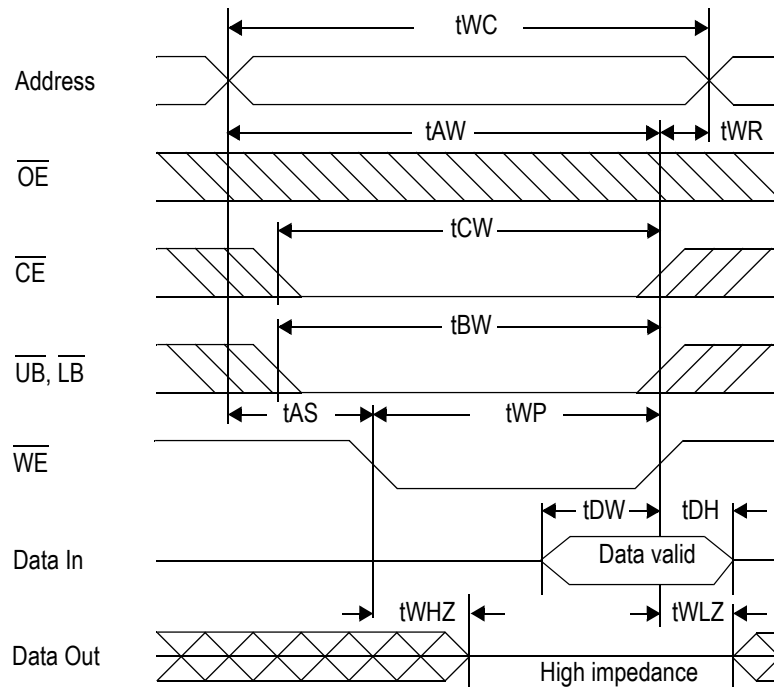
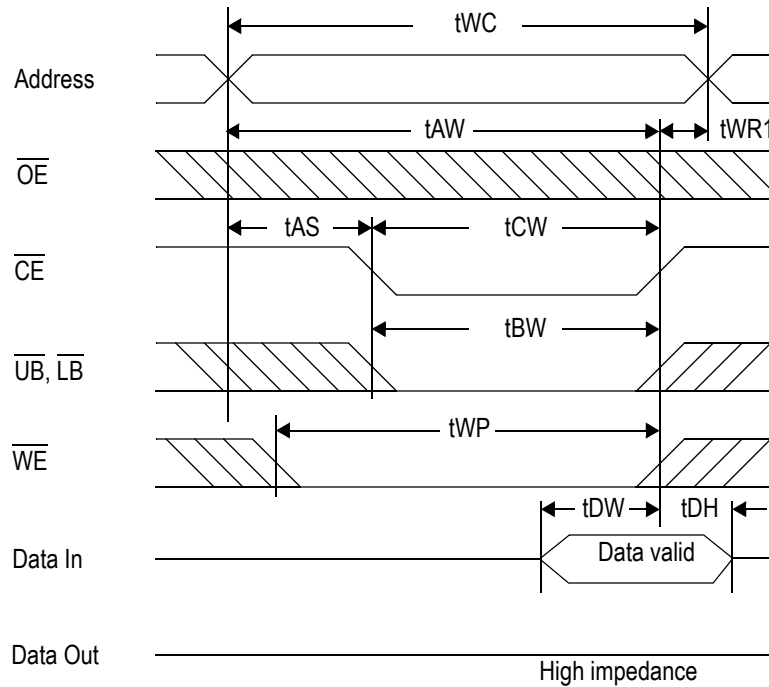




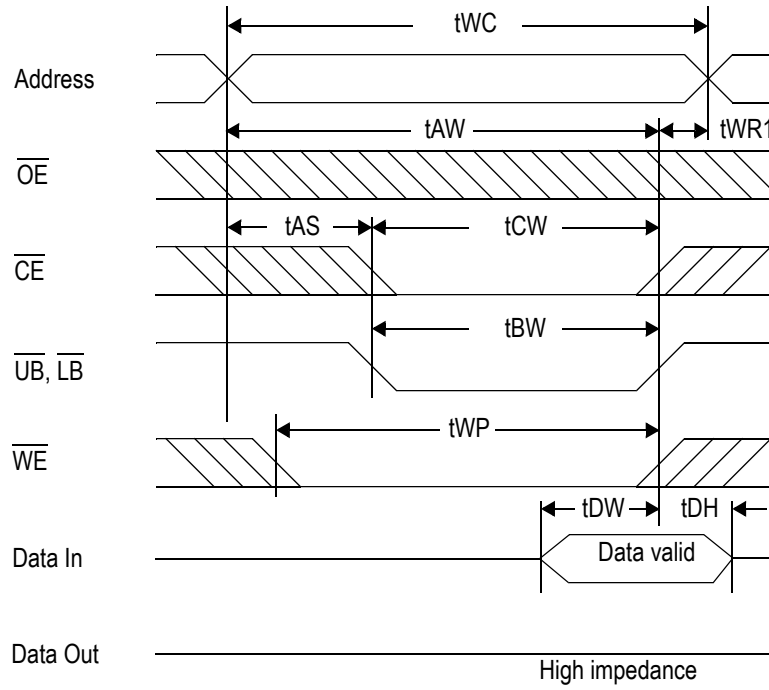
Write Cycle

Parameter	Symbol	-8		-10		-12		Unit
		Min	Max	Min	Max	Min	Max	
Write cycle time	tWC	8	—	10	—	12	—	ns
Address valid to end of write	tAW	5.5	—	7	—	8	—	ns
Chip enable to end of write	tCW	5.5	—	7	—	8	—	ns
Byte enable to end of write	tBW	5.5	—	7	—	8	—	ns
Data set up time	tDW	4	—	4.5	—	6	—	ns
Data hold time	tDH	0	—	0	—	0	—	ns
Write pulse width	tWP	5.5	—	7	—	8	—	ns
Address set up time	tAS	0	—	0	—	0	—	ns
Write recovery time (\overline{WE})	tWR	0	—	0	—	0	—	ns
Write recovery time (\overline{CE})	tWR1	0	—	0	—	0	—	ns
Output Low Z from end of write	tWLZ*	3	—	3	—	3	—	ns
Write to output in High Z	tWHZ*	—	3.5	—	4	—	5	ns

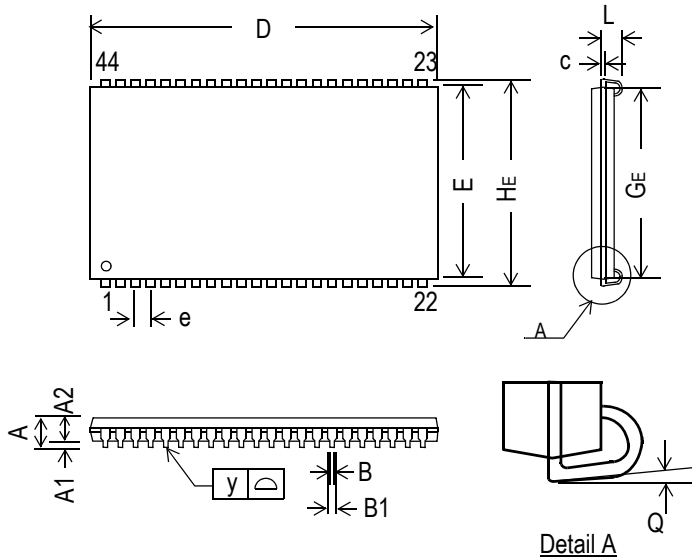
* These parameters are sampled and are not 100% tested.

Write Cycle 1: \overline{WE} control

Write Cycle 2: \overline{CE} control


Write Cycle 3: \overline{UB} , \overline{LB} control



44-Pin, 400 mil SOJ

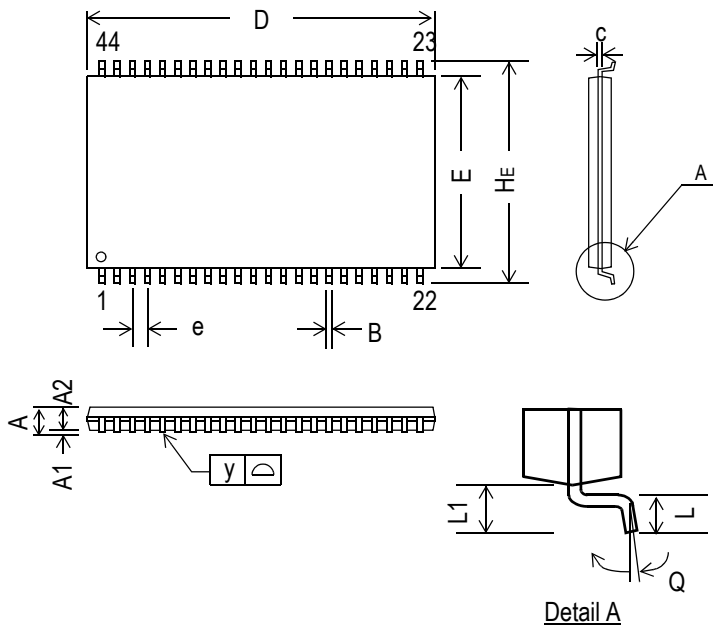


Symbol	Dimension in inch			Dimension in mm		
	min	nom	max	min	nom	max
A	—	—	0.148	—	—	3.759
A1	0.025	—	—	0.635	—	—
A2	0.105	0.110	0.115	2.667	2.794	2.921
B	—	0.018	—	—	0.457	—
B1	0.026	0.028	0.032	0.660	0.711	0.813
c	—	0.008	—	—	0.203	—
D	1.120	1.125	1.130	28.44	28.58	28.70
E	0.395	0.400	0.405	10.033	10.160	10.287
e	—	0.05	—	—	1.27	—
HE	0.435	0.440	0.445	11.049	11.176	11.303
GE	0.360	0.370	0.380	9.144	9.398	9.652
L	0.082	0.087	0.106	2.083	2.210	2.70
y	—	—	0.004	—	—	0.102
Q	0°	—	7°	0°	—	7°

Notes:

1. Dimension D & E do not include interlead flash
2. Dimension B1 does not include dambar protrusion / intrusion
3. Controlling dimension: inches

44-Pin, 400 mil TSOP-II

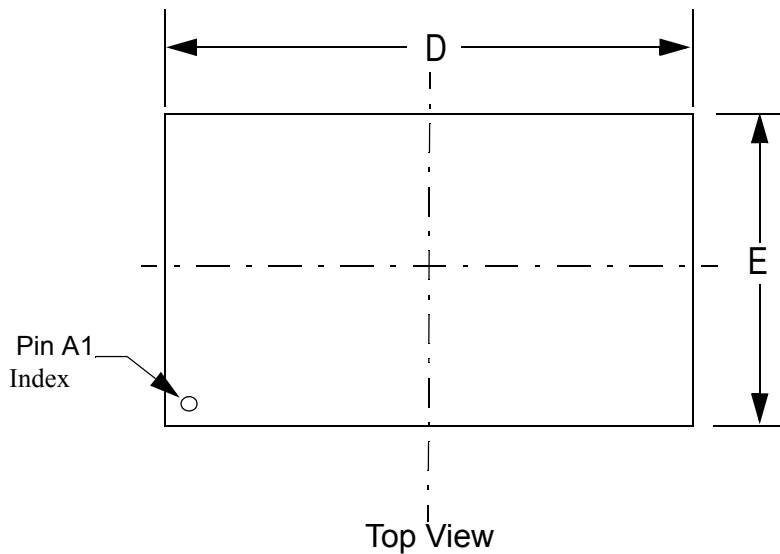


Symbol	Dimension in inch			Dimension in mm		
	min	nom	max	min	nom	max
A	—	—	0.047	—	—	1.20
A1	0.002	—	—	0.05	—	—
A2	0.037	0.039	0.041	0.95	1.00	1.05
B	0.01	0.014	0.018	0.25	0.35	0.45
c	—	0.006	—	—	0.15	—
D	0.721	0.725	0.729	18.31	18.41	18.51
E	0.396	0.400	0.404	10.06	10.16	10.26
e	—	0.031	—	—	0.80	—
HE	0.455	0.463	0.471	11.56	11.76	11.96
L	0.016	0.020	0.024	0.40	0.50	0.60
L1	—	0.031	—	—	0.80	—
y	—	—	0.004	—	—	0.10
Q	0°	—	5°	0°	—	5°

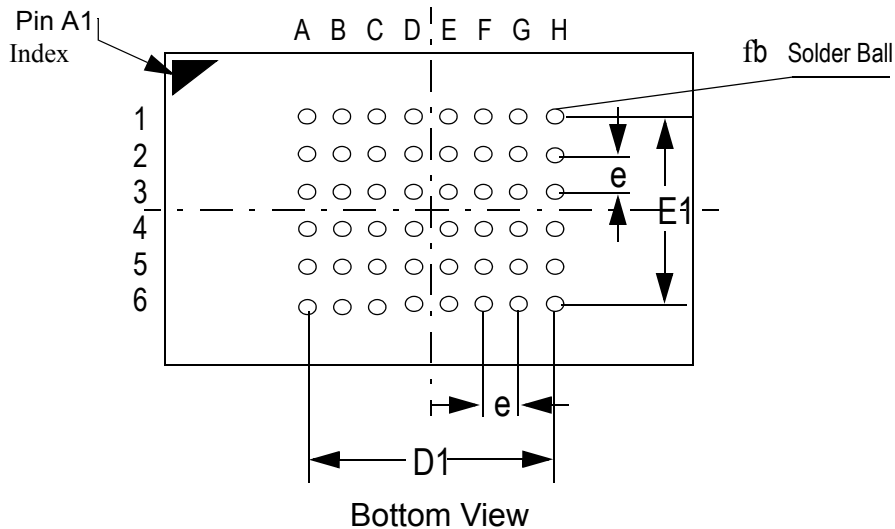
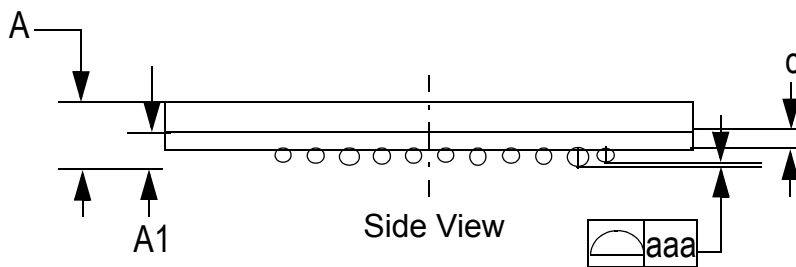
Notes:

1. Dimension D & E do not include interlead flash.
2. Dimension B does not include dambar protrusion/intrusion.
3. Controlling dimension: mm

6 mm x 10 mm FP-BGA



Symbol	Unit: mm
A	1.10±0.10
A1	0.20~0.30
fb	f0.30~0.40
c	0.36(TYP)
D	10.0±0.05
D1	5.25
E	6.0±0.05
E1	3.75
e	0.75(TYP)
aaa	0.10



Ordering Information

Part Number *	Package	Access Time	Temp. Range	Status
GS74116ATP-8	400 mil TSOP-II	8 ns	Commercial	MP
GS74116ATP-10	400 mil TSOP-II	10 ns	Commercial	MP
GS74116ATP-12	400 mil TSOP-II	12 ns	Commercial	MP
GS74116ATP-8I	400 mil TSOP-II	8 ns	Industrial	MP
GS74116ATP-10I	400 mil TSOP-II	10 ns	Industrial	MP
GS74116ATP-12I	400 mil TSOP-II	12 ns	Industrial	MP
GS74116AGP-8	RoHS-compliant 400 mil TSOP-II	8 ns	Commercial	PQ
GS74116AGP-10	RoHS-compliant 400 mil TSOP-II	10 ns	Commercial	PQ
GS74116AGP-12	RoHS-compliant 400 mil TSOP-II	12 ns	Commercial	PQ
GS74116AGP-8I	RoHS-compliant 400 mil TSOP-II	8 ns	Industrial	PQ
GS74116AGP-10I	RoHS-compliant 400 mil TSOP-II	10 ns	Industrial	PQ
GS74116AGP-12I	RoHS-compliant 400 mil TSOP-II	12 ns	Industrial	PQ
GS74116AJ-8	400 mil SOJ	8 ns	Commercial	MP
GS74116AJ-10	400 mil SOJ	10 ns	Commercial	MP
GS74116AJ-12	400 mil SOJ	12 ns	Commercial	MP
GS74116AJ-8I	400 mil SOJ	8 ns	Industrial	MP
GS74116AJ-10I	400 mil SOJ	10 ns	Industrial	MP
GS74116AJ-12I	400 mil SOJ	12 ns	Industrial	MP
GS74116AGJ-8	RoHS-compliant 400 mil SOJ	8 ns	Commercial	PQ
GS74116AGJ-10	RoHS-compliant 400 mil SOJ	10 ns	Commercial	PQ
GS74116AGJ-12	RoHS-compliant 400 mil SOJ	12 ns	Commercial	PQ
GS74116AGJ-8I	RoHS-compliant 400 mil SOJ	8 ns	Industrial	PQ
GS74116AGJ-10I	RoHS-compliant 400 mil SOJ	10 ns	Industrial	PQ
GS74116AGJ-12I	RoHS-compliant 400 mil SOJ	12 ns	Industrial	PQ
GS74116AX-8	Fine Pitch BGA	8 ns	Commercial	MP
GS74116AX-10	Fine Pitch BGA	10 ns	Commercial	MP
GS74116AX-12	Fine Pitch BGA	12 ns	Commercial	MP
GS74116AX-8I	Fine Pitch BGA	8 ns	Industrial	MP
GS74116AX-10I	Fine Pitch BGA	10 ns	Industrial	MP
GS74116AX-12I	Fine Pitch BGA	12 ns	Industrial	MP

Ordering Information

Part Number *	Package	Access Time	Temp. Range	Status
GS74116AGX-8	RoHS-compliant Fine Pitch BGA	8 ns	Commercial	PQ
GS74116AGX-10	RoHS-compliant Fine Pitch BGA	10 ns	Commercial	PQ
GS74116AGX-12	RoHS-compliant Fine Pitch BGA	12 ns	Commercial	PQ
GS74116AGX-8I	RoHS-compliant Fine Pitch BGA	8 ns	Industrial	PQ
GS74116AGX-10I	RoHS-compliant Fine Pitch BGA	10 ns	Industrial	PQ
GS74116AGX-12I	RoHS-compliant Fine Pitch BGA	12 ns	Industrial	PQ

Notes:

1. Customers requiring delivery in Tape and Reel should add the character "T" to the end of the part number. For example: GS74116ATP-8T
2. MP = Mass Production. PQ = Pre-Qualification.

4Mb Asynchronous Datasheet Revision History

Rev. Code: Old; New	Types of Changes Format or Content	Page #/Revisions/Reason
74116A_r1	Format/Content	• Created new datasheet
74116A_r1; 74116A_r1_01	Content	<ul style="list-style-type: none"> • Added 6 ns and 7 ns speed bins • Updated power numbers • Changed FPBGA package size from 7.2 x 11.65 mm to 6 x 10 mm • Changed package designator from "U" to "X" for FPBGA • Changed D3 on FPBGA pinout to A17 and E3 to NC
74116A_r1_01; 74116A_r1_02	Content	<ul style="list-style-type: none"> • Updated Recommended Operating Conditions on page 4 • Updated Read Cycle and Write Cycle AC Characteristics tables
74116A_r1_02; 74116A_r1_03	Content	• Removed 6 ns speed bin from entire document
74116A_r1_03; 74116A_r1_04	Content	• Removed 7 ns speed bin from entire document
74116A_r1_04; 74116A_r1_05	Content/Format	<ul style="list-style-type: none"> • Updated format • Added Pb-free information for TSOP
74116A_r1_05; 74116A_r1_06	Content/Format	• Added Pb-free information for FP-BGA
74116A_r1_06; 74116A_r1_07	Content	<ul style="list-style-type: none"> • Changed Pb-free references to RoHS-compliant • Added RoHS-compliant SOJ part • Added status to Ordering Information table