



A623308 Series

Preliminary

8K X 8 BIT CMOS SRAM

Document Title

8K X 8 BIT CMOS SRAM

Revision History

<u>Rev. No.</u>	<u>History</u>	<u>Issue Date</u>	<u>Remark</u>
0.0	Initial issue	July 2, 1999	Preliminary
0.1	Erase 55ns part	December 14, 2000	
0.2	Add -SI/SU part no. and change lcc1, lsb1	December 11, 2002	
0.3	Erase 28-pin TSOP reverse type package	December 23, 2002	



A623308 Series

Preliminary

8K X 8 BIT CMOS SRAM

Features

- External Operating Voltage: 4.5V to 5.5V
- Access times: 70 ns (max.)
- Current:
 - A623308-S series: Operating: 35mA (max.)
 - Standby: 10µA (max.)
 - A623308-SI/SU series: Operating: 35mA (max.)
 - Standby: 15µA (max.)
- Extended operating temperature range: 0°C to 70°C for -S series, -25°C to 85°C for -SI series, -40°C to 85°C for -SU series.
- Full static operation, no clock or refreshing required
- All inputs and outputs are directly TTL compatible
- Common I/O using three-state output
- Data retention voltage: 2.0V (min.)
- Available in 28-pin SOP and TSOP (forward type) packages

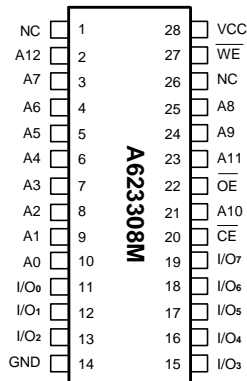
General Description

The A623308 is a low operating current 65,536-bit static random access memory organized as 8,192 words by 8 bits and operates on a single 5V power supply. Inputs and three-state outputs are TTL compatible and allow for direct interfacing with common system bus structures.

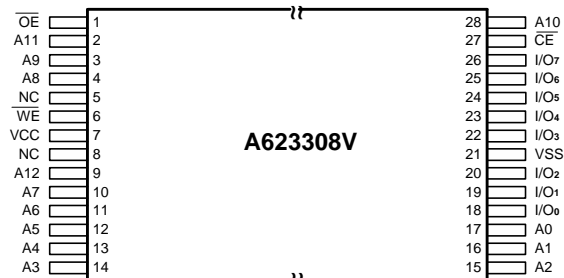
Minimum standby power is drawn by this device when \overline{CE} is at a high level, independent of the other input levels. Data retention is guaranteed at a power supply voltage as low as 2.0V.

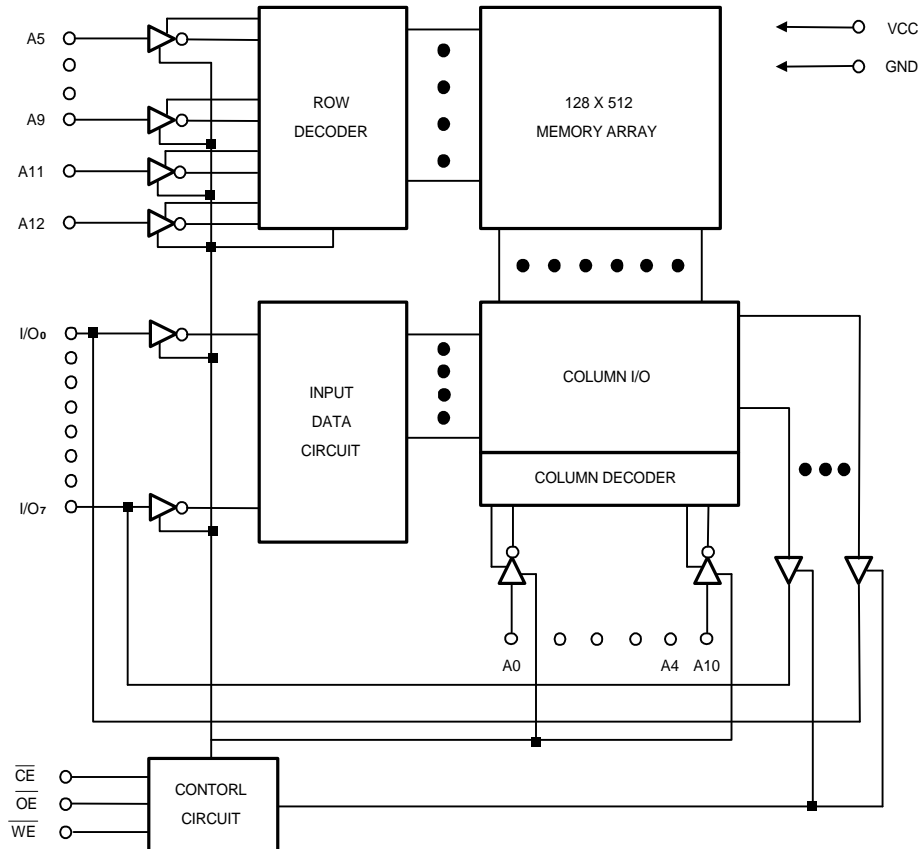
Pin Configurations

■ SOP



■ TSOP



Block Diagram

Pin Descriptions - SOP

Pin No.	Symbol	Description
1,26	NC	No Connection
2-10, 21, 23-25	A0 - A12	Address Input
11-13, 15-19	I/O ₀ - I/O ₇	Data Inputs/Outputs
14	GND	Ground
20	\overline{CE}	Chip Enable
22	\overline{OE}	Output Enable
27	\overline{WE}	Write Enable
28	VCC	Power Supply

Pin Description-TSOP

Pin No.	Symbol	Description
5,8	NC	No Connection
1	\overline{OE}	Output Enable
2-4, 9-17, 28	A0 - A12	Address Input
7	VCC	Power Supply
6	\overline{WE}	Write Enable
18-20, 22-26	I/O ₀ - I/O ₇	Data Inputs/Outputs
21	GND	Ground
27	\overline{CE}	Chip Enable

Recommended DC Operating Conditions

(TA = 0°C to +70°C, -25°C to +85°C or -40°C to +85°C)

Symbol	Parameter	Min.	Typ.	Max.	Unit
VCC	Supply Voltage	4.5	5.0	5.5	V
GND	Ground	0	0	0	V
V _{IH}	Input High Voltage	2.2	3.5	VCC + 0.3	V
V _{IL}	Input Low Voltage	-0.3	0	+0.8	V

Absolute Maximum Ratings*

VCC to GND -0.5V to +7.0V
 IN, IN/OUT Volt to GND -0.5V to VCC + 0.5V
 Operating Temperature, T_{opr}
 0°C to +70°C or -40°C to +85°C
 Storage Temperature, T_{stg} -55°C to +125°C
 Power Dissipation, P_T 0.7W
 Soldering Temp. & Time 260°C, 10 sec

***Comments**

Stresses above those listed under "Absolute Maximum Ratings" may cause permanent damage to the device. These are stress ratings only. Functional operation of this device at these or any other conditions above those indicated in the operational sections of this specification is not implied and exposure to absolute maximum rating conditions for extended periods may affect device reliability.

DC Electrical Characteristics (TA = 0°C to +70°C, -25°C to +85°C or -40°C to +85°C, VCC = 5.0V ± 10%, GND = 0V)

Symbol	Parameter	A623308-70S		A623308-70SI/SU		Unit	Conditions
		Min.	Max.	Min.	Max.		
I _{LI}	Input Leakage Current	-	1	-	1	μA	V _{IH} = GND to VCC
I _{LO}	Output Leakage Current	-	1	-	1	μA	$\overline{CE} = V_{IH}$ or $\overline{OE} = V_{IH}$ or V _{WE} = V _{IH} V _{I/O} = GND to VCC
I _{CC}	Active Power Supply Current	-	5	-	5	mA	$\overline{CE} = V_{IL}$, I _{I/O} = 0mA
I _{CC1}	Dynamic Operating Current	-	35	-	35	mA	Min. Cycle, Duty = 100% $\overline{CE} = V_{IL}$, I _{I/O} = 0mA
I _{CC2}	Dynamic Operating Current	-	5	-	5	mA	$\overline{CE} = V_{IL}$, V _{IH} = VCC V _{IL} = 0V, f = 1 MHz I _{I/O} = 0 mA

DC Electrical Characteristics (continued)

Symbol	Parameter	A623308-70S		A623308-70SI/SU		Unit	Conditions
		Min.	Max.	Min.	Max.		
I _{SB}	Supply Current Standby Power	-	0.5	-	0.5	mA	$\overline{CE} = V_{IH}$
I _{SB1}		-	10	-	15	μA	$\overline{CE} \geq V_{CC} - 0.2V$ $V_{IN} \geq 0V$
V _{oL}	Output Low Voltage	-	0.4	-	0.4	V	I _{oL} = 2.1mA
V _{oH}	Output High Voltage	2.4	-	2.4	-	V	I _{oH} = -1.0mA

Truth Table

Mode	\overline{CE}	\overline{OE}	\overline{WE}	I/O Operation	Supply Current
Standby	H	X	X	High Z	I _{SB} , I _{SB1}
Output Disable	L	H	H	High Z	I _{CC} , I _{CC1} , I _{CC2}
Read	L	L	H	Dout	I _{CC} , I _{CC1} , I _{CC2}
Write	L	X	L	Din	I _{CC} , I _{CC1} , I _{CC2}

Note: X: H or L

Capacitance (T_A = 25°C, f = 1.0 MHz)

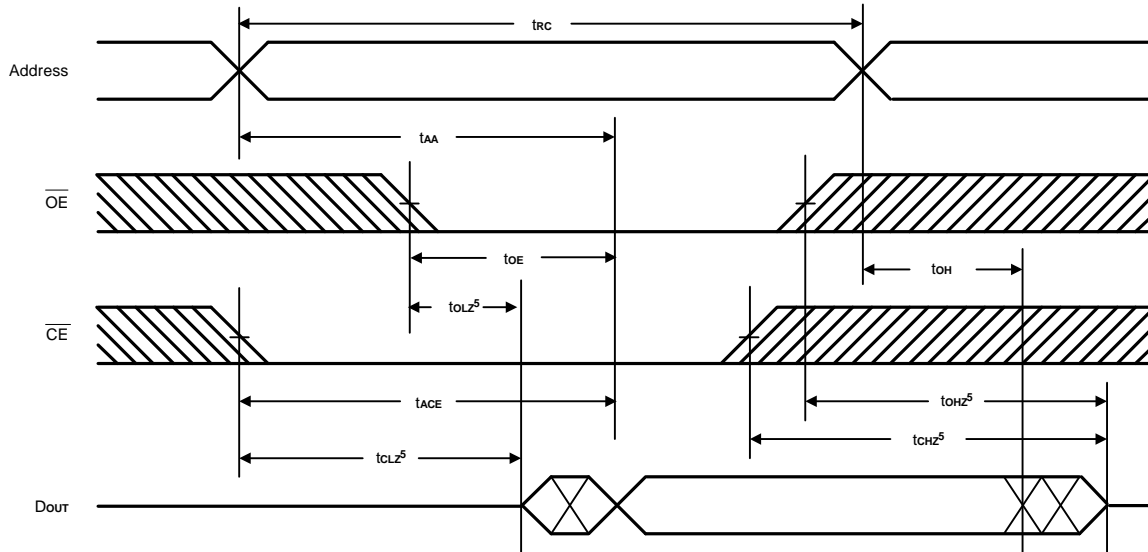
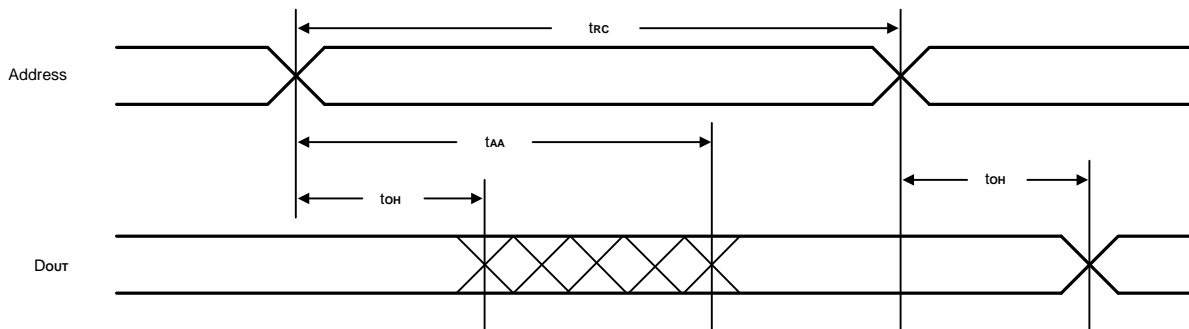
Symbol	Parameter	Min.	Max.	Unit	Conditions
C _{IN} *	Input Capacitance		6	pF	V _{IN} = 0V
C _{IO} *	Input/Output Capacitance		8	pF	V _{IO} = 0V

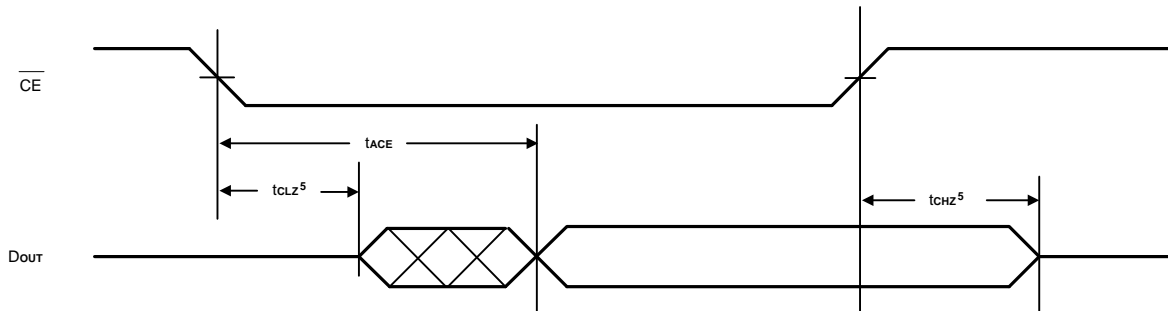
* These parameters are sampled and not 100% tested.

AC Characteristics ($T_A = 0^\circ\text{C}$ to $+70^\circ\text{C}$, -25°C to $+85^\circ\text{C}$ or -40°C to $+85^\circ\text{C}$, $V_{CC} = 5.0\text{V} \pm 10\%$)

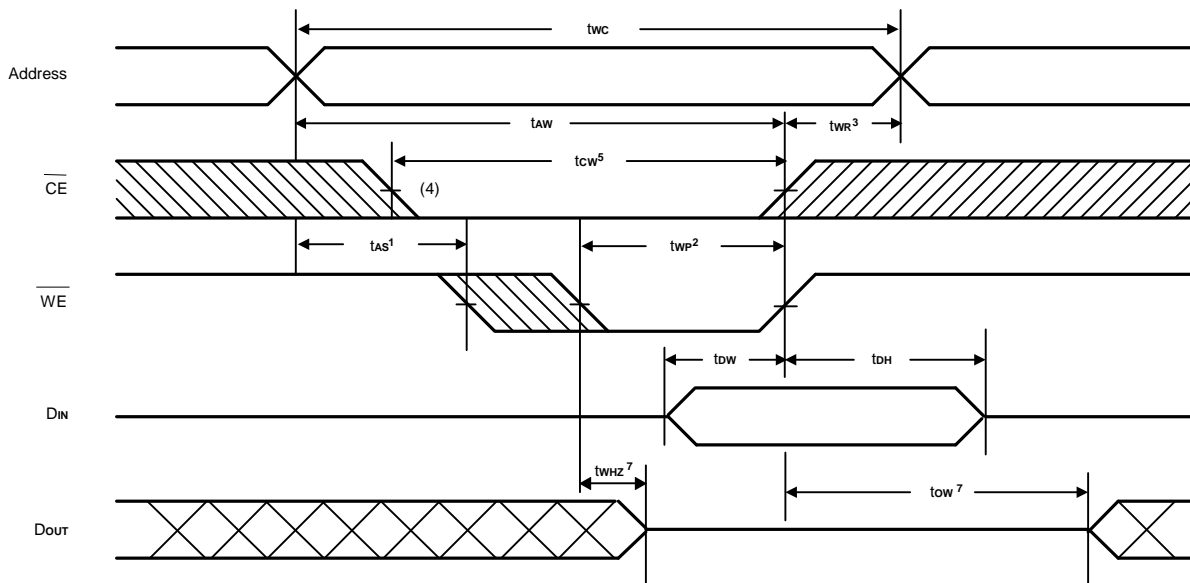
Symbol	Parameter	A623308-70S/SI/SU		Unit
		Min.	Max.	
Read Cycle				
t _{RC}	Read Cycle Time	70	-	ns
t _{AA}	Address Access Time	-	70	ns
t _{ACE}	Chip Enable Access Time	-	70	ns
t _{OE}	Output Enable to Output Valid	-	35	ns
t _{CLZ}	Chip Enable to Output in Low Z	10	-	ns
t _{OLZ}	Output Enable to Output in Low Z	5	-	ns
t _{CHZ}	Chip Disable to Output in High Z	-	25	ns
t _{OHZ}	Output Disable to Output in High Z	-	25	ns
t _{OH}	Output Hold from Address Change	5	-	ns
Write Cycle				
t _{WC}	Write Cycle Time	70	-	ns
t _{CW}	Chip Enable to End of Write	60	-	ns
t _{AS}	Address Set up Time	0	-	ns
t _{AW}	Address Valid to End of Write	60	-	ns
t _{WP}	Write Pulse Width	50	-	ns
t _{WR}	Write Recovery Time	0	-	ns
t _{WHZ}	Write to Output in High Z	-	30	ns
t _{DW}	Data to Write Time Overlap	30	-	ns
t _{DH}	Data Hold from Write Time	0	-	ns
t _{OW}	Output Active from End of Write	5	-	ns

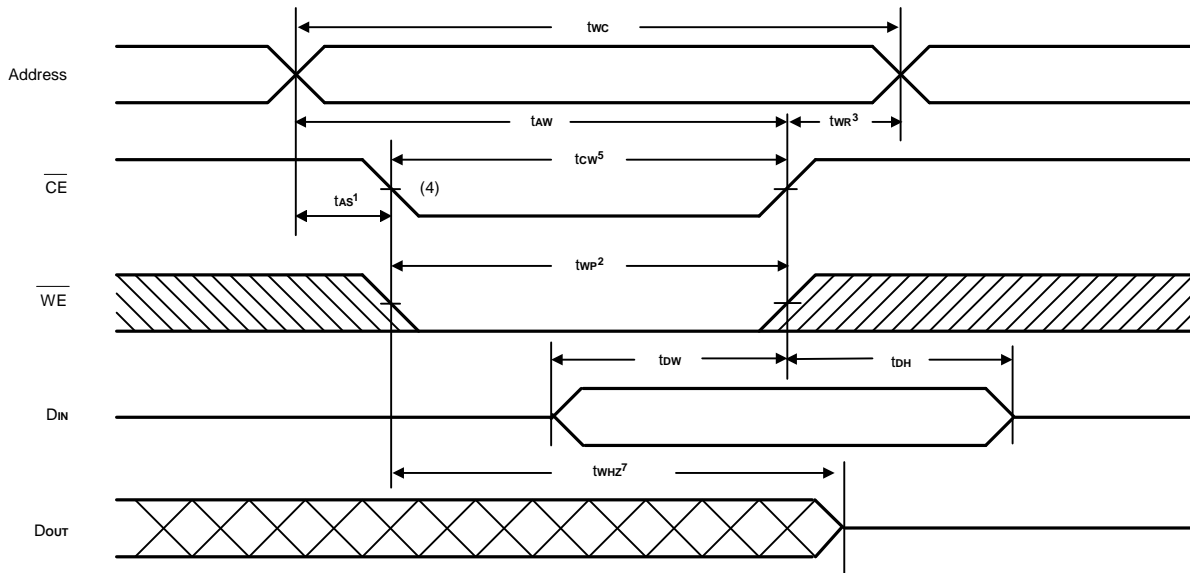
Notes: t_{CHZ}, t_{OHZ} and t_{WHZ} are defined as the time at which the outputs achieve the open circuit condition and are not referred to output voltage levels.

Timing Waveforms
Read Cycle 1 ⁽¹⁾

Read Cycle 2 ^(1, 2, 4)


Timing Waveforms (continued)
Read Cycle 3^(1, 3, 4)


- Notes:
1. \overline{WE} is high for Read Cycle.
 2. Device is continuously enabled, $\overline{CE} = V_{IL}$.
 3. Address valid prior to or coincident with \overline{CE} transition low.
 4. $\overline{OE} = V_{IL}$.
 5. Transition is measured $\pm 500\text{mV}$ from steady state. This parameter is sampled and not 100% tested.

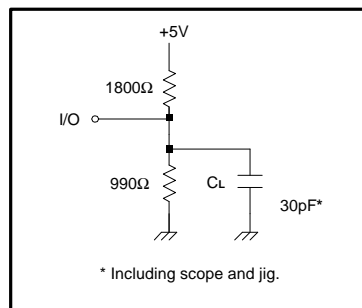
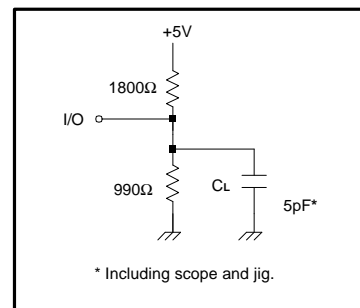
**Write Cycle 1⁽⁶⁾
(Write Enable Controlled)**


Timing Waveforms (continued)
**Write Cycle 2 ⁽⁶⁾
(Chip Enable Controlled)**


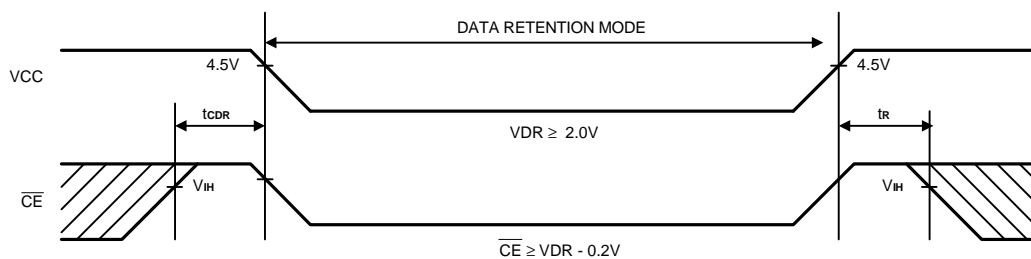
- Notes:
- t_{AS} is measured from the address valid to the beginning of Write.
 - A Write occurs during the overlap (t_{WP}) of a low \overline{CE} and a low \overline{WE} .
 - t_{WR} is measured from the earliest of \overline{CE} or \overline{WE} going high to the end of the Write cycle.
 - If the \overline{CE} low transition occurs simultaneously with the \overline{WE} low transition or after the \overline{WE} transition, outputs remain in a high impedance state.
 - t_{CW} is measured from the later of \overline{CE} going low to the end of Write.
 - \overline{OE} level is high or low.
 - Transition is measured $\pm 500\text{mV}$ from steady. This parameter is sampled and not 100% tested.

AC Test Conditions

Input Pulse Levels	0V, 3.0V
Input Rise And Fall Time	5 ns
Input and Output Timing Reference Levels	1.5V
Output Load	See Figure 1,2


Figure 1. Output Load

**Figure 2. Output Load for t_{CLZ}
 t_{OLZ} , t_{CHZ} , t_{OHZ} , t_{WHZ} , and t_{OW}**
Data Retention Characteristics ($T_A = 0^\circ\text{C}$ to $+70^\circ\text{C}$, -25°C to $+85^\circ\text{C}$ or -40°C to $+85^\circ\text{C}$)

Symbol	Parameter	Min.	Max.	Unit	Conditions
V_{DR}	VCC for Data Retention	2.0	5.5	V	$\overline{CE} \geq V_{CC} - 0.2V$
I_{CCDR}	Data Retention Current	-	3	μA	$V_{CC} = 2.0V$, $\overline{CE} \geq V_{CC} - 0.2V$ $V_{IN} \geq 0V$
t_{CDR}	Chip Disable to Data Retention Time	0	-	ns	See Retention Waveform
t_R	Operation Recovery Time	t_{RC}	-	ns	

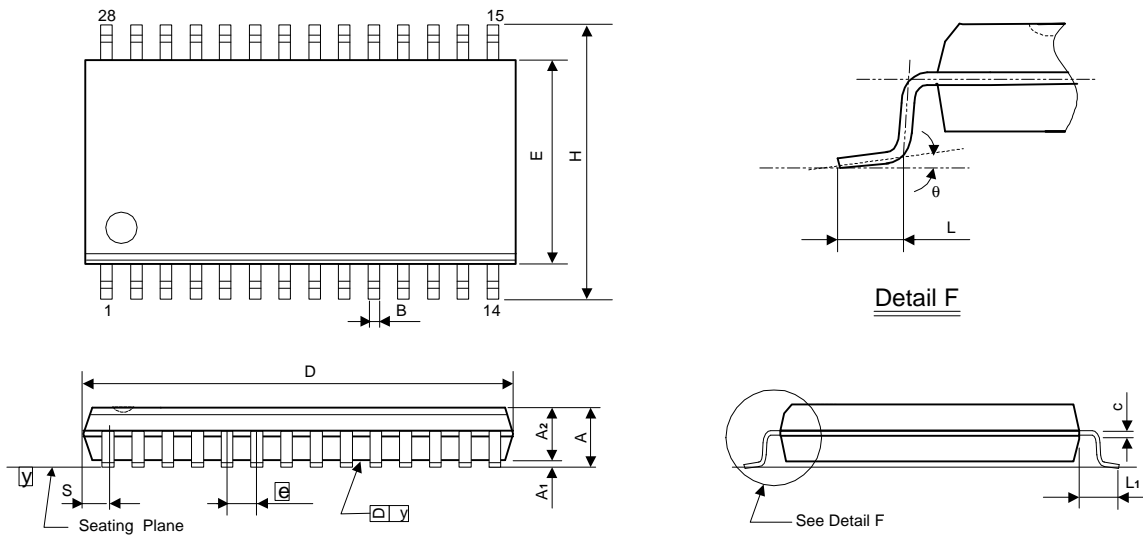
Low VCC Data Retention Waveform


Ordering Information

Part No.	Access Time (ns)	Operating Current Max. (mA)	Standby Current Max. (μ A)	Package
A623308M-70S	70	35	10	28L SOP
A623308V-70S		35	10	28L TSOP (Forward)
A623308M-70SI		35	15	28L SOP
A623308V-70SI		35	15	28L TSOP (Forward)
A623308M-70SU		35	15	28L SOP
A623308V-70SU		35	15	28L TSOP (Forward)

Package Information
SOP (W.B.) 28L Outline Dimensions

unit: inches/mm



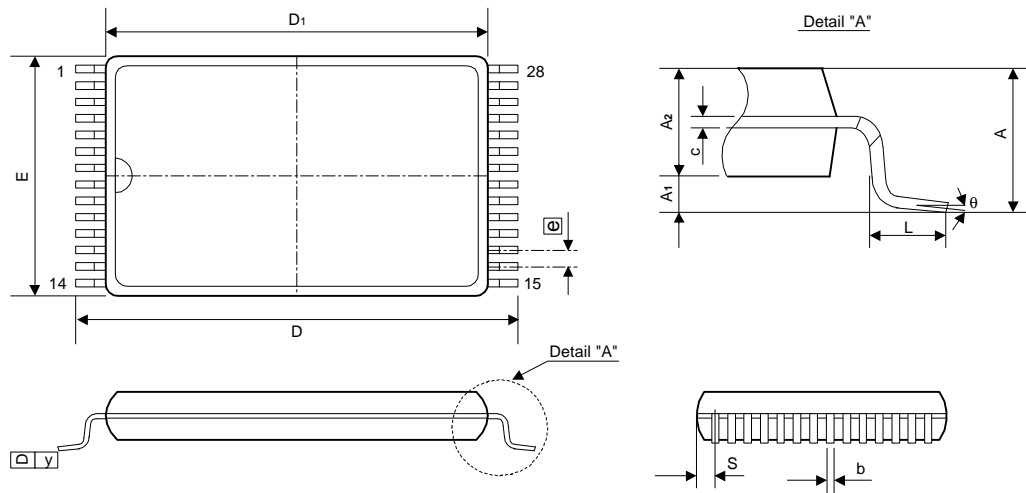
Symbol	Dimensions in inches			Dimensions in mm		
	Min	Nom	Max	Min	Nom	Max
A	-	-	0.112	-	-	2.85
A1	0.004	-	-	0.10	-	-
A2	0.093	0.098	0.103	2.36	2.49	2.62
B	0.014	0.016	0.020	0.36	0.41	0.51
C	0.008	0.010	0.012	0.20	0.25	0.30
D	-	0.713	0.728	-	18.11	18.49
E	0.326	0.331	0.336	8.28	8.41	8.53
[e]	0.044	0.050	0.056	1.12	1.27	1.42
H	0.453	0.465	0.477	11.51	11.81	12.12
L	0.028	0.036	0.044	0.71	0.91	1.12
L1	0.059	0.067	0.075	1.50	1.70	1.91
S	-	-	0.047	-	-	1.19
y	-	-	0.004	-	-	0.10
θ	0°	-	8°	0°	-	8°

Notes:

1. The maximum value of dimension D includes end flash.
2. Dimension E does not include resin fins.
3. Dimension S includes end flash.

Package Information
TSOP 28L TYPE I (8 X 13.4mm) Outline Dimensions

unit: inches/mm



Symbol	Dimensions in inches			Dimensions in mm		
	Min	Nom	Max	Min	Nom	Max
A	-	-	0.049	-	-	1.25
A ₁	0.002	-	-	0.05	-	-
A ₂	0.037	0.039	0.041	0.95	1.00	1.05
b	0.007	0.009	0.011	0.17	0.22	0.27
c	0.005	-	0.008	0.12	-	0.21
E	0.311	0.315	0.319	7.90	8.00	8.10
L	0.012	0.020	0.028	0.30	0.50	0.70
D	0.520	0.528	0.536	13.20	13.40	13.60
D ₁	0.461	0.465	0.469	11.70	11.80	11.90
\square e	0.022 BSC			0.55 BSC		
S	0.017 TYP			0.425 TYP		
y	-	-	0.004	-	-	0.10
θ	0°	-	5°	0°	-	5°

Notes:

1. The maximum value of dimension D₁ includes end flash.
2. Dimension E does not include resin fins.
3. Dimension S includes end flash.