

# PRODUCT ADVISORY NOTICE

---

KEEPING YOU INFORMED OF PRODUCT CHANGES

---

**To:** All Customers, Sales Representatives and Distributors

**Date:** October 30, 2009

**Subject:** 628907 Connector Change

Grayhill has approved a second vendor for the standard .050" pitch connector used on the standard Grayhill Optical Encoders and many of the custom part numbers. Currently, AMP part number 7-215083-6 is the only approved source and has been since 1996. Adding the second vendor keeps with Grayhill's philosophy of having a minimum of two approved vendors for every piece part, wherever feasible. The connectors interface properly with each other's mating connectors. Therefore, no changes are necessary to the mating connector in the customer's application.

The two approved vendors for the standard .050" pitch connector used on Grayhill Optical Encoders are now as follows:

Vendor Name	Vendor Part Number
AMP (Tyco)	7-215083-6
ITW Pancon	39-06-SN-A-A

As always, Grayhill has performed numerous tests to ensure that the second source connector meets the necessary criteria for a properly functioning encoder and does not cause any general loss in performance against the current Amp connector. A summary of the testing is below.

## **Testing Summary – Round 1**

*Scope: General testing to ensure that the connector functioned properly in the assembly.*

	6 Samples
Engineering Oscilloscope Test	Pass
F.A.T.E Testing	Pass
Cold Cycle Testing	Pass
Heat Cycle Testing	Pass
X-Ray Testing	Pass
Mating Connector Testing	Pass



561 Hillgrove Avenue • LaGrange, Illinois • 60525-5997 • Ph: 708.354.1040 • Fax: 708.354.2820  
www.grayhill.com

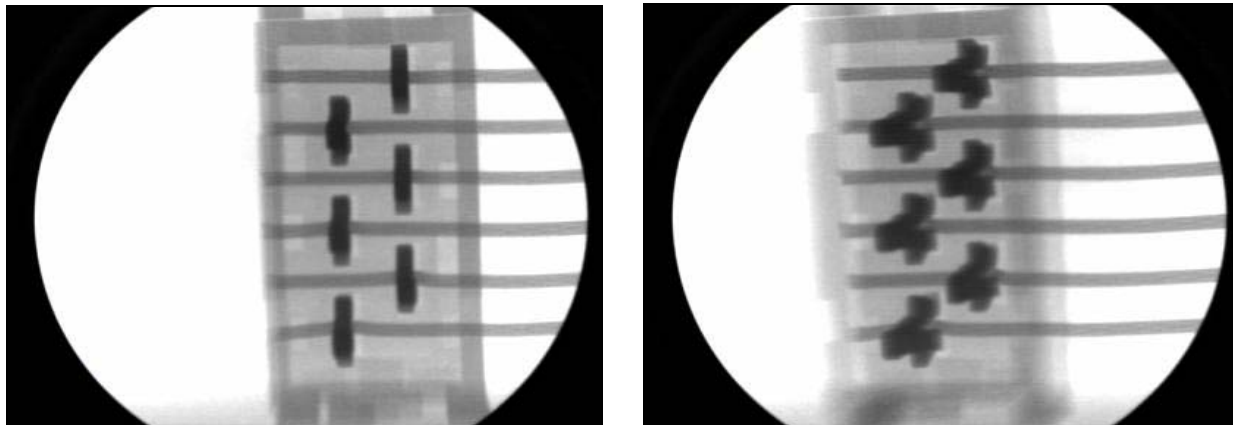
Bulletin #1134

Page 1

10/30/2009

# PRODUCT ADVISORY NOTICE

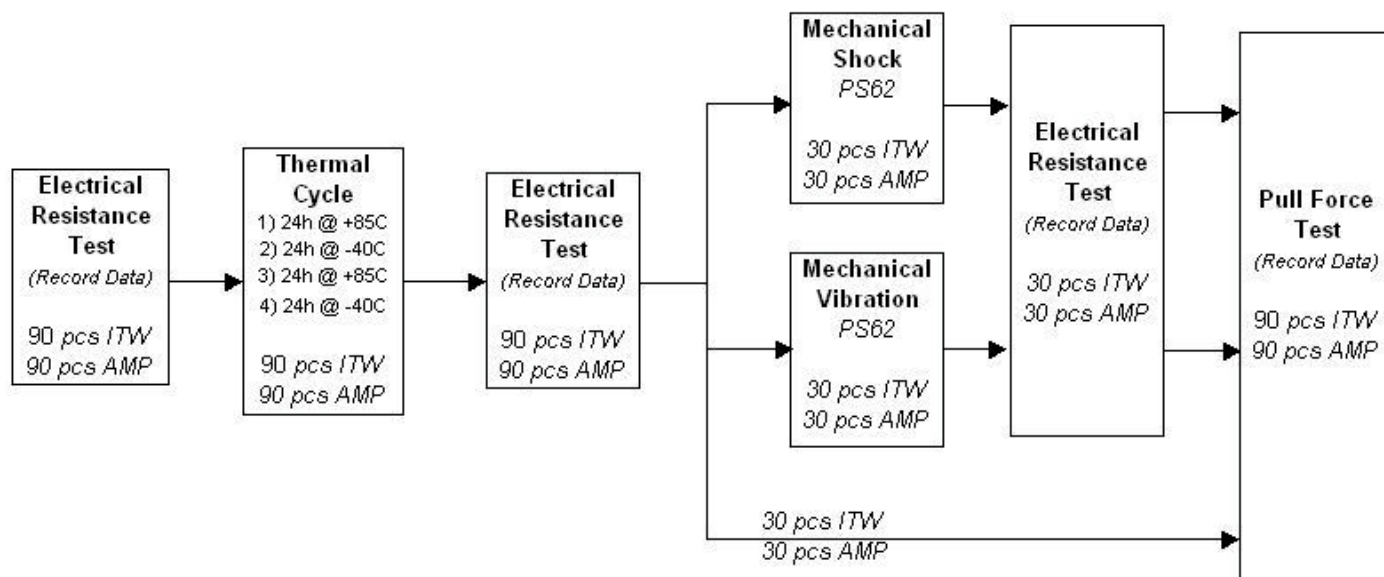
KEEPING YOU INFORMED OF PRODUCT CHANGES



Sample X-Ray Images of the ITW Pancon connector assembled to a cable.

## Testing Summary – Round 2

Scope: To perform a detailed analysis of the ITW connector performance through environmental testing versus the existing AMP connector.



Test Map for 'Round 2' testing

# PRODUCT ADVISORY NOTICE

KEEPING YOU INFORMED OF PRODUCT CHANGES

	Pull Force (lbs)					Electrical Resistance through all tests (Ohms, including 6" Ribbon Cable)				
	# Samples	Average	Standard Deviation	Max	Min	# Samples	Average	Standard Deviation	Max	Min
Pancon - Mechanical Shock Group	30	25.77	1.74	29	22	30	0.17	0.10	0.5	0.1
Pancon - Mechanical Vibration Group	30	25.97	2.50	30	22	30	0.21	0.10	0.7	0.1
Pancon - Thermal Cycle Only Group	30	25.87	2.10	30	22	30	0.17	0.06	0.3	0.1
AMP - Mechanical Shock Group	30	25.63	1.38	28	23	30	0.25	0.14	0.7	0.1
AMP - Mechanical Vibration Group	30	25.70	0.84	27	24	30	0.22	0.09	0.5	0.1
AMP - Thermal Cycle Only Group	30	25.17	1.26	28	23	30	0.19	0.08	0.5	0.1

Results from 'Round 2' testing

The following part numbers have been affected:

61CY22116	62A11-01-030C	62A15-02-025C	62A22-02-055C
61L315-L5-040C	62A11-01-035C	62A15-02-030C	62A22-02-060C
61L507-N5-040C	62A11-01-040C	62A15-02-040C	62A22-02-080C
61L515-L5-020C	62A11-01-045C	62A15-02-045C	62A22-02-090C
61L515-M0-040C	62A11-01-050C	62A15-02-050C	62A22-02-100C
61L515-M0-060C	62A11-01-060C	62A15-02-060C	62A22-02-120C
61L515-M5-020C	62A11-01-070C	62A15-02-080C	62A22-02-130C
61L515-M5-040C	62A11-01-100C	62A15-02-100C	62A22-02-135C
61L515-M5-060C	62A11-01-120C	62A15-02-120C	62A22-02-140C
61L515-N0-040C	62A11-02-020C	62A18-02-020C	62A22-02-160C
61L515-N0-060C	62A11-02-030C	62A18-02-060C	62A22-02-240C
61L515-N5-040C	62A11-02-035C	62A22-01-020C	62A30-02-020C
61L515-N5-060C	62A11-02-040C	62A22-01-025C	62A30-02-050C
61LY15002	62A11-02-050C	62A22-01-040C	62AG22-01-040C
61LY15003	62A11-02-055C	62A22-01-050C	62AG22-02-040C
61LY18001	62A11-02-060C	62A22-01-060C	62AGY18003
6299142	62A11-02-080C	62A22-01-100C	62AGY18004
6299198	62A11-02-100C	62A22-01-120C	62AGY22004
62A01-01-020C	62A11-02-120C	62A22-01-240C	62AGY22009
62A01-01-060C	62A11-02-240C	62A22-02-020C	62AGY22013
62A01-02-020C	62A15-01-020C	62A22-02-025C	62AGY22014
62A01-02-030C	62A15-01-030C	62A22-02-030C	62AY01001
62A01-02-050C	62A15-01-050C	62A22-02-035C	62AY01004
62A03-01-035C	62A15-01-060C	62A22-02-040C	62AY01005
62A11-01-020C	62A15-02-020C	62A22-02-050C	62AY11003



561 Hillgrove Avenue • LaGrange, Illinois • 60525-5997 • Ph: 708.354.1040 • Fax: 708.354.2820  
www.grayhill.com

Bulletin #1134

Page 3

10/30/2009

# PRODUCT ADVISORY NOTICE

## KEEPING YOU INFORMED OF PRODUCT CHANGES

62AY11010	62AY22047	62D11-02-020C	62N11-060C
62AY11016	62AY22049	62D11-02-040C	62N11-065C
62AY11026	62AY22051	62D11-02-060C	62N11-070C
62AY11041	62AY22053	62D11-02-070C	62N15-080C
62AY11046	62AY22055	62D15-02-020C	62N22-020C
62AY11048	62AY22057	62D18-02-020C	62N30-020C
62AY11076	62AY22058	62D22-01-040C	62S11-H0-020C
62AY11078	62AY22059	62D22-01-060C	62S11-H0-035C
62AY11084	62AY22060	62D22-02-020C	62S11-H9-020C
62AY11093	62AY22061	62D22-02-025C	62S11-H9-060C
62AY11099	62AY22065	62D22-02-035C	62S11-L0-020C
62AY11120	62AY22073	62D22-02-040C	62S11-L0-060C
62AY11135	62AY22076	62D22-02-060C	62S11-L4-020C
62AY11140	62AY22080	62D22-02-080C	62S11-L4-040C
62AY11141	62AY22081	62D30-02-020C	62S11-L4-060C
62AY11144	62AY22082	62D30-02-030C	62S11-L4-080C
62AY11150	62AY22084	62D30-02-040C	62S11-L5-020C
62AY11156	62AY22090	62D30-02-060C	62S11-L5-035C
62AY11168	62AY22092	62DY11001	62S11-L5-040C
62AY11176	62AY22094	62DY11002	62S11-L5-060C
62AY11177	62AY22099	62DY11003	62S11-L9-020C
62AY15001	62AY22104	62DY11004	62S11-L9-040C
62AY15003	62AY22106	62DY11007	62S11-M0-020C
62AY15009	62AY22109	62DY11008	62S11-M0-050C
62AY15014	62AY22111	62DY11014	62S11-M0-060C
62AY15018	62AY22113	62DY11022	62S11-M5-020C
62AY15027	62AY22125	62DY11026	62S11-M5-030C
62AY15034	62AY22126	62DY22001	62S11-M5-050C
62AY15038	62AY22130	62F01-02-020C	62S11-M5-055C
62AY15043	62AY22131	62F11-02-020C	62S11-M5-060C
62AY15047	62AY22139	62F11-02-040C	62S11-M5-080C
62AY15049	62AY22142	62F11-02-060C	62S11-M5-100C
62AY15051	62AY22145	62F15-02-060C	62S11-M9-020C
62AY15054	62AY22146	62F22-02-020C	62S11-M9-030C
62AY15055	62AY22151	62HSY22008	62S11-M9-050C
62AY22002	62AY22156	62HSY22010	62S11-M9-100C
62AY22005	62AY22161	62HSY22014	62S11-N0-020C
62AY22007	62AY22162	62HSY22017	62S11-N0-040C
62AY22008	62AY22169	62HSY22018	62S11-N0-050C
62AY22008HT	62AY22171	62HSY22021	62S11-N2-030C
62AY22015	62AY22173	62LY22001	62S11-N2-040C
62AY22023	62CY2222008	62LY22004	62S11-N5-040C
62AY22038	62CY2222009	62N11-020C	62S11-N5-050C
62AY22042	62CY2222046	62N11-040C	62S11-N5-060C
62AY22044	62D11-01-020C	62N11-050C	62S11-N9-060C



561 Hillgrove Avenue • LaGrange, Illinois • 60525-5997 • Ph: 708.354.1040 • Fax: 708.354.2820  
[www.grayhill.com](http://www.grayhill.com)

Bulletin #1134

Page 4

10/30/2009

# PRODUCT ADVISORY NOTICE

## KEEPING YOU INFORMED OF PRODUCT CHANGES

62S15-H0-020C	62S22-L0-060C	62SY11068	62SY45004	62VY15007
62S15-H0-040C	62S22-L4-020C	62SY11071	62T22-H10-020C	62VY15008
62S15-H9-020C	62S22-L4-030C	62SY11078	62T22-L7-020C	62VY15011
62S15-H9-040C	62S22-L4-050C	62SY11079	62T22-M0-060C	62VY15013
62S15-H9-060C	62S22-L4-060C	62SY11080	62T22-M10-040C	62VY15015
62S15-L4-020C	62S22-L5-020C	62SY11081	62T22-M7-020C	62VY18001
62S15-L4-040C	62S22-L5-030C	62SY15005	62V08-02-040C	62VY22003
62S15-L4-060C	62S22-L5-040C	62SY15017	62V11-01-060C	62VY30002
62S15-L4-120C	62S22-L5-060C	62SY15020	62V11-01-110C	
62S15-L5-020C	62S22-L5-140C	62SY18008	62V11-02-020C	
62S15-L9-020C	62S22-M0-020C	62SY22001	62V11-02-040C	
62S15-M0-020C	62S22-M0-030C	62SY22005	62V11-02-050C	
62S15-M0-030C	62S22-M0-050C	62SY22013	62V11-02-055C	
62S15-M0-060C	62S22-M0-060C	62SY22014	62V11-02-060C	
62S15-M5-020C	62S22-M5-020C	62SY22018	62V11-02-100C	
62S15-M5-030C	62S22-M5-030C	62SY22019	62V11-02-110C	
62S15-M5-040C	62S22-M5-040C	62SY22020	62V15-01-020C	
62S15-M5-060C	62S22-M5-050C	62SY22021	62V15-01-060C	
62S15-M9-020C	62S22-M5-060C	62SY22026	62V15-01-120C	
62S15-M9-050C	62S22-M9-020C	62SY22027	62V15-02-020C	
62S15-N0-020C	62S22-M9-030C	62SY22029	62V15-02-035C	
62S15-N0-040C	62S22-M9-040C	62SY22045	62V15-02-040C	
62S15-N0-060C	62S22-M9-060C	62SY22046	62V15-02-080C	
62S15-N4-020C	62S30-H0-020C	62SY22053	62V15-02-180C	
62S18-H9-020C	62S30-L4-060C	62SY22059	62V18-02-020C	
62S18-H9-040C	62S30-L9-080C	62SY22060	62V22-01-050C	
62S18-L5-020C	62S30-M0-030C	62SY22061	62V22-02-020C	
62S18-L5-040C	62S30-M0-200C	62SY22062	62V22-02-030C	
62S18-L9-020C	62S30-M5-040C	62SY22064	62V22-02-040C	
62S18-M5-020C	62S45-H9-020C	62SY22072	62V22-02-050C	
62S18-M5-040C	62S45-H9-030C	62SY22073	62V22-02-060C	
62S18-M5-060C	62S45-M0-030C	62SY22076	62V22-02-160C	
62S18-M5-090C	62S45-M5-040C	62SY22078	62V30-02-020C	
62S18-M9-020C	62S45-M5-050C	62SY22093	62V30-02-030C	
62S22-H0-020C	62SY11002	62SY22094	62V30-02-040C	
62S22-H0-040C	62SY11016	62SY22096	62V30-02-080C	
62S22-H9-020C	62SY11045	62SY22097	62VY11003	
62S22-H9-030C	62SY11046	62SY22098	62VY11013	
62S22-H9-060C	62SY11052	62SY22111	62VY11016	
62S22-L0-020C	62SY11063	62SY39001	62VY15001	
62S22-L0-050C	62SY11066	62SY45003	62VY15002	

Please contact your Grayhill, Inc. sales associate for further information.



561 Hillgrove Avenue • LaGrange, Illinois • 60525-5997 • Ph: 708.354.1040 • Fax: 708.354.2820  
www.grayhill.com

Bulletin #1134

Page 5

10/30/2009