

PC Card (PCMCIA) Interface Switch

FEATURES

- Single SO-16 Package
- CMOS Inputs with Hysteresis
- Extremely Low R_{ON}
- Reverse Blocking Switches
- HiZ Outputs in the Off-State
- Low Power Consumption
- Safe Power-Up

DESCRIPTION

The Si9711 is a monolithic switch designed to meet the needs of the PC Card interface. The inputs are fully CMOS compatible and incorporate all the level shift and interface required to be driven by any CMOS driver. The external inputs can be driven to 3.3-V or 5-V by setting V_L at the appropriate level. The switches are low R_{ON} and can carry the maximum currents found on the PC Card interface.

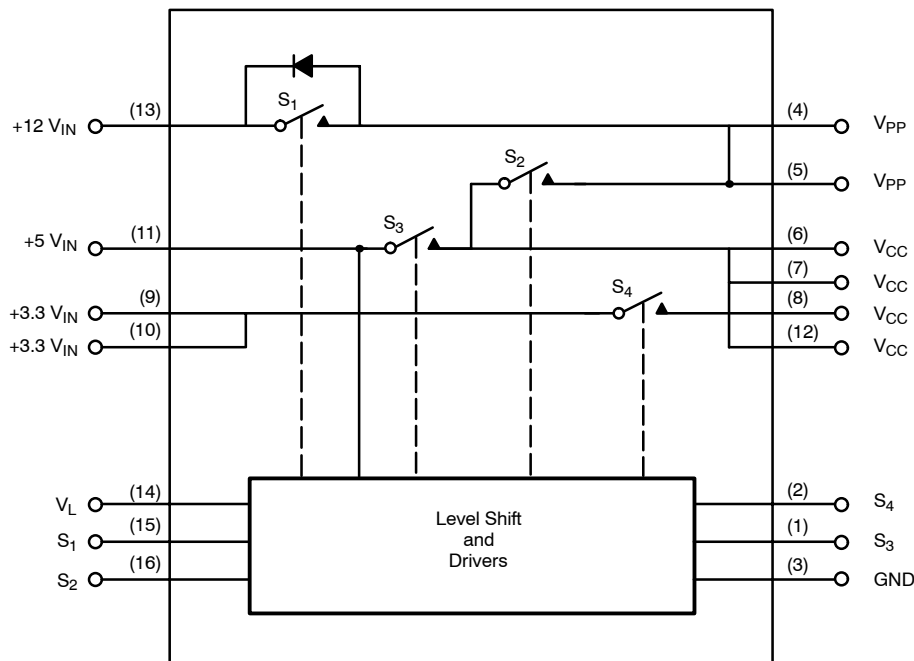
The 5-V and 3.3-V switches do not have the parasitic diode found in vertical DMOS power switches.

Low R_{ON} is achieved by using MOSFETs driven off the +12- V_{IN} input. All level shifting is built into the Si9711.

The Si9711 is packaged in an SO-16 package and is rated over the commercial temperature range 0 to 70°C.

The Si9711 is available in both standard and lead (Pb)-free packages.

FUNCTIONAL BLOCK DIAGRAM



TRUTH TABLE S₁ THROUGH S₄	
Logic	Switch
0	OFF
1	ON



ABSOLUTE MAXIMUM RATINGS

Voltages Referenced to Ground

V_L	7 V
+12 V_{IN}	15 V
+5 V_{IN}	7 V
+3.3 V_{IN}	7 V
S_1 through S_4 (CMOS Inputs)	$V_L + 0.5 V$
$I_{OUT} V_{PP}$	300 mA
V_{CC}	7 V

V_{PP}	15 V
All Pins	-0.5 V
$I_{OUT} V_{CC}$	1.5 A
PD Max: ($T_A = 25^\circ C$)	710 mW
($T_A = 70^\circ C$)	390 mW
Junction Temperature	125°C
Thermal Ratings	
$R_{\theta JA}$	140 °C/W

RECOMMENDED OPERATING CONDITIONS

+12 V_{IN}	12 V \pm 10%
+5 V_{IN} (must be present)	5 V \pm 10%
+3.3 V_{IN}	3.3 V \pm 10%

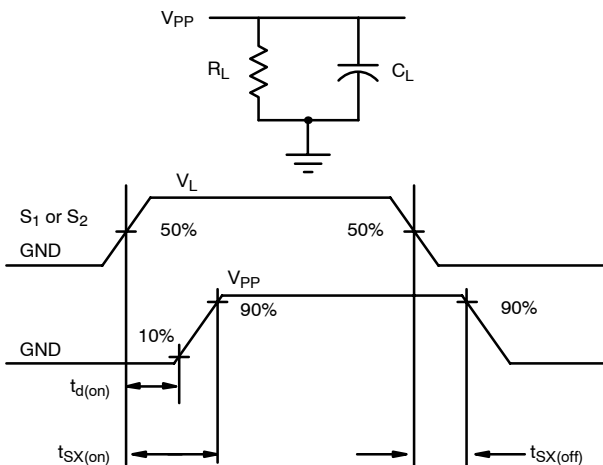
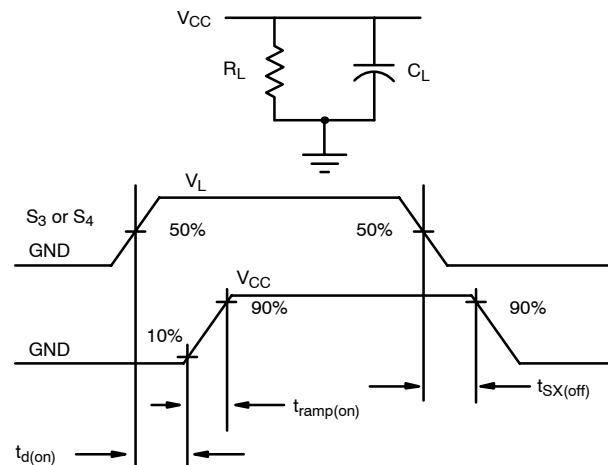
$I_{OUT} V_{CC}$	1 A
$I_{OUT} V_{PP}$	150 mA
V_L	5.0 V \pm 10%

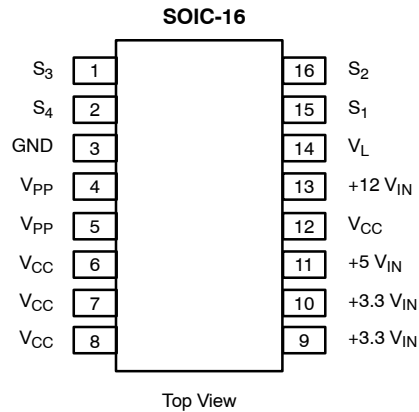
SPECIFICATIONS							
Parameter	Symbol	Test Conditions Unless Otherwise Specified +5 $V_{IN} = 5 V$, +3.3 $V_{IN} = 3.3 V$ +12 $V_{IN} = 12 V$, $V_L = 5.0 V$, GND = 0 V		Limits C Suffix, 0 to 70°C			Unit
				Min ^a	Typ	Max ^a	
Switch 1							
On-Resistance	R_{ON}	I = 120 mA, +12 $V_{IN} = 10.8 V$ $S_1 = V_L$, $S_2 = GND$	$T_A = 25^\circ C$			200	mΩ
			$T_A = 70^\circ C$			250	
Off Current (+12 V_{IN} to V_{PP})	I_{OFF}	+12 $V_{IN} = 13.2 V$, $V_{PP} = 0 V$ $S_1 = GND$	$T_A = 25^\circ C$			1	μA
			$T_A = 70^\circ C$			10	
Switching Time	$t_{S1(on)}$	$C_L = 0.1 \mu F$, $S_2 = Low$, $R_L = 100 \Omega$, See Figure 1		0.1		1	μs
	$t_{S1(off)}$			0.5		4	
Switch 2							
On-Resistance	R_{ON}	I = 120 mA, +12 $V_{IN} = 10.8 V$ $S_2 = S_3 = V_L$	$T_A = 25^\circ C$			300	mΩ
			$T_A = 70^\circ C$			350	
Off Current	I_{OFF}	$V_{PP} = 13.2 V$, $V_{CC} = 0 V$ +12 $V_{IN} = 13.2 V$	$T_A = 25^\circ C$			1	μA
			$T_A = 70^\circ C$			10	
Switching Time	$t_{S2(on)}$	$C_L = 0.1 \mu F$, $R_L = 100 \Omega$, $S_1 = S_4 = GND$, $S_3 = V_L$, See Figure 1		0.1		1	μs
	$t_{S2(off)}$			0.5		4	
Switch 3							
On-Resistance	R_{ON}	I = 500 mA, +12 $V_{IN} = 10.8 V$ $S_3 = V_L$	$T_A = 25^\circ C$			200	mΩ
			$T_A = 70^\circ C$			250	
Off Current	I_{OFF}	+5 $V_{IN} = 5.5 V$, $V_{CC} = 0 V$	$T_A = 25^\circ C$			1	μA
			$T_A = 70^\circ C$			10	
Switching Time	$t_{d(on)}$	+5 $V_{IN} = 5 V$, $C_L = 0.1 \mu F$, V_{CC} to GND $R_L = 100 \Omega$, V_{CC} to GND, See Figure 2		1			μs
	$t_{ramp(on)}$			200			
	$t_{S3(off)}$			0.5		4	

Parameter	Symbol	Test Conditions Unless Otherwise Specified +5 V _{IN} = 5 V, +3.3 V _{IN} = 3.3 V +12 V _{IN} = 12 V, V _L = 5.0 V, GND = 0 V	Limits C Suffix, 0 to 70°C			Unit
			Min ^a	Typ	Max ^a	
Switch 4						
On-Resistance	R _{ON}	I = 500 mA, +12 V _{IN} = 10.8 V S ₄ = V _L	T _A = 25°C		150	mΩ
			T _A = 70°C		185	
Off Current	I _{OFF}	+3.3 V _{IN} = 3.6 V, V _{CC} = 0 V S ₂ = S ₃ = S ₄ = GND	T _A = 25°C		1	μA
			T _A = 70°C		10	
Switching Time	t _{d(on)}	+3.3 V _{IN} = 3.3 V, C _L = 0.1 μF, S ₃ = GND R _L = 100 Ω, See Figure 2		1		μs
	t _{ramp(on)}			200		
	t _{S4(off)}			0.5	4	
Power Supply						
+12 V _{IN} Current	I _{+12VIN(1)}	S ₁ = S ₄ = GND, S ₂ = S ₃ = V _L			10	μA
	I _{+12VIN(2)}	S ₁ = S ₄ = V _L , S ₂ = S ₃ = GND			10	
V _L Current	I _{V_L(1)}	S ₁ = S ₄ = GND, S ₂ = S ₃ = V _L			10	μA
	I _{V_L(2)}	S ₁ = S ₄ = V _L , S ₂ = S ₃ = GND			10	
Switch Control Inputs						
Input Voltage High	V _{I(H)}		V _L = 3.3 V	2.8	2.4	V
			V _L = 5 V	4.0	3.3	
Input Voltage Low	V _{I(L)}		V _L = 3.3 V		1.1	0.4
			V _L = 5 V		1.5	0.8
Input Hysteresis ^b	V _{I(H)} - V _{I(L)}		V _L = 3.3 V	0.5	1.3	
			V _L = 5 V	0.8	1.8	
Input Current High	I _{I(H)}	S ₁ through S ₄ = V _L , V _L = 5 V			1.0	μA
Input Current Low	I _{I(L)}	S ₁ through S ₄ = GND, V _L = 5 V		-1.0		

Notes

- a. The algebraic convention whereby the most negative value is a minimum and the most positive a maximum, is used in this data sheet.
 b. Guaranteed by design, not subject to production testing.

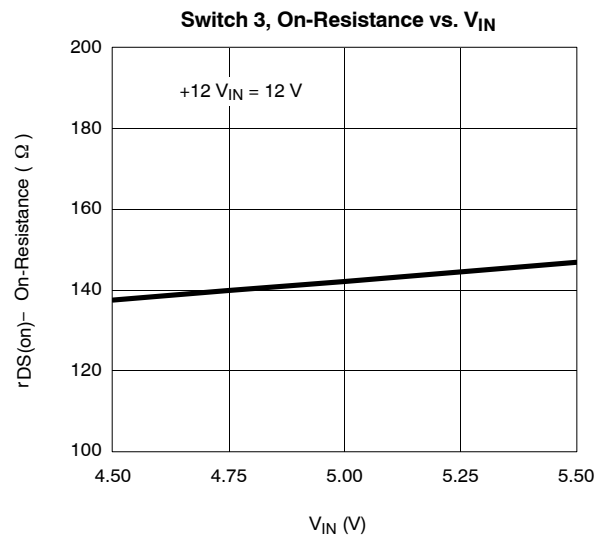
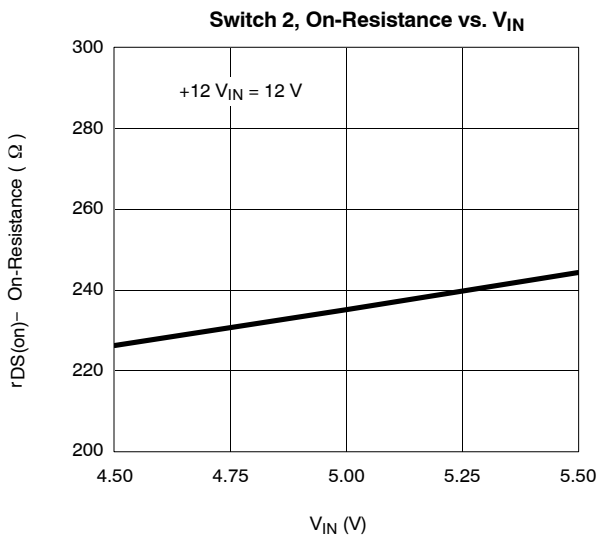
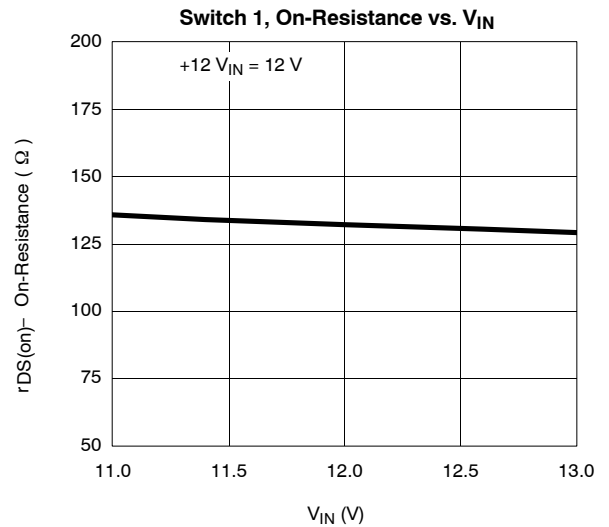
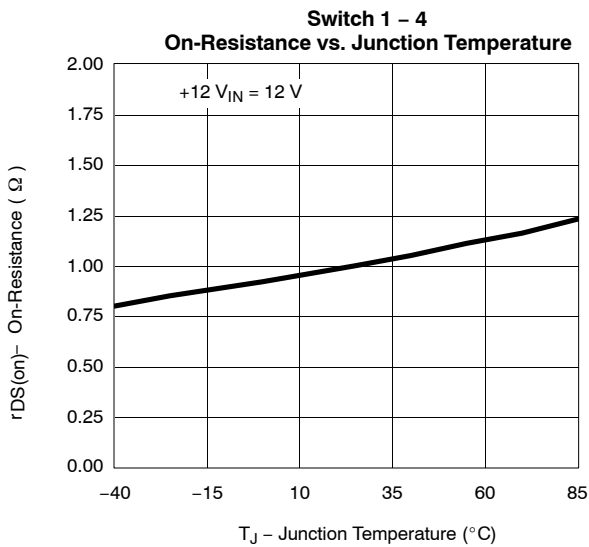
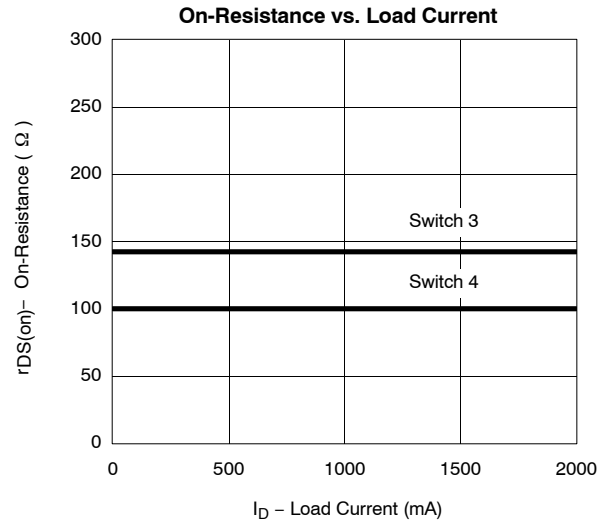
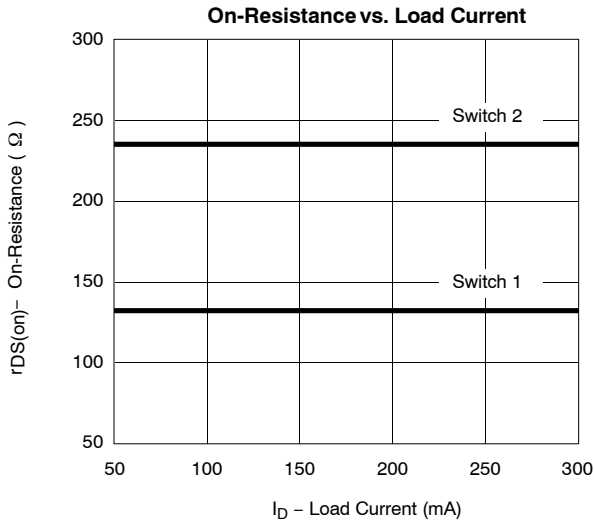
TIMING WAVEFORMS

FIGURE 1. t_{d(on)} and t_{SX(on)}

FIGURE 2. t_{ramp(on)}

PIN CONFIGURATION AND ORDERING INFORMATION

ORDERING INFORMATION

Part Number	Temperature Range	Package
Si9711CY	0 to 70°C	SOIC-16
Si9711CY-T1		
Si9711CY-T1—E3		

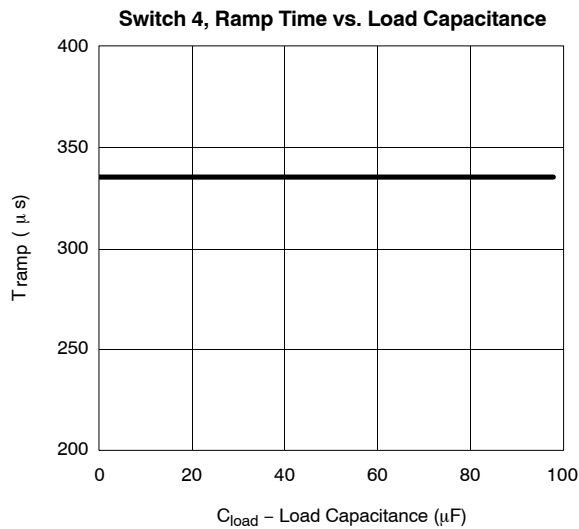
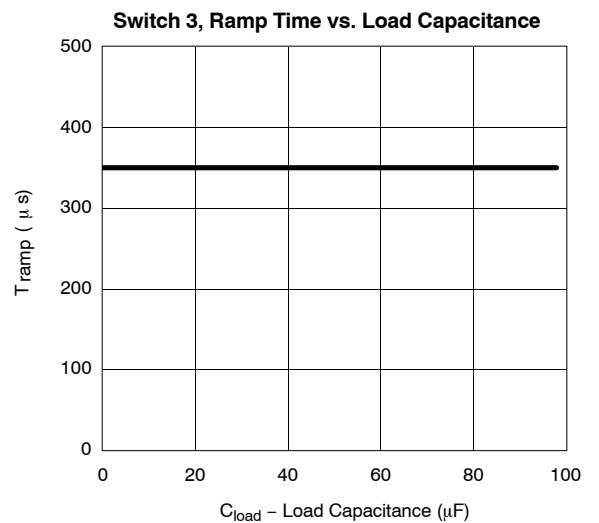
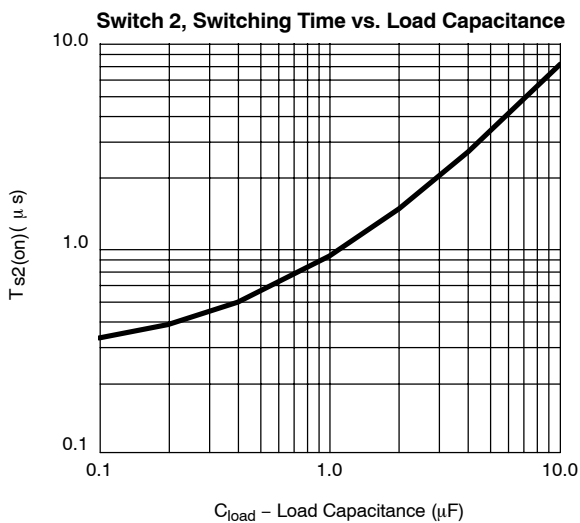
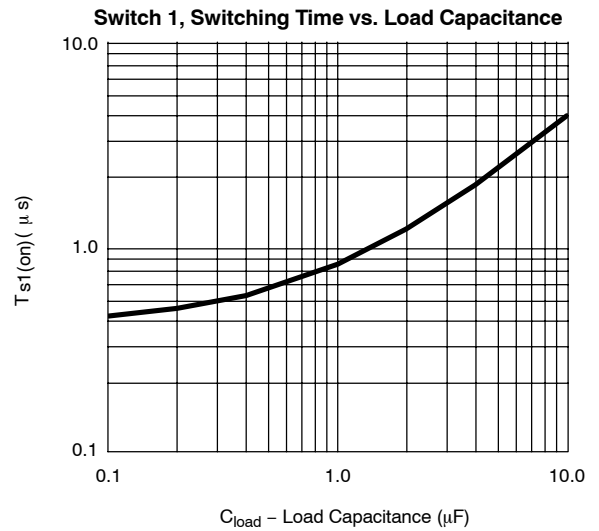
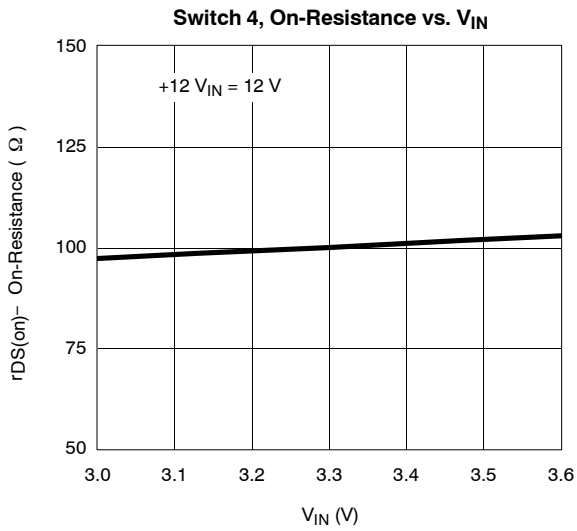
Pin Number	Symbol	Description
1	S ₃	Control input for selecting +5 V _{IN} to V _{CC} . The PC Card terminology for this pin is V _{CC_EN1} .
2	S ₄	Control input for selecting +3.3 V _{IN} to V _{CC} . The PC Card terminology for this pin is V _{CC_EN0} .
3	GND	Ground connection.
4, 5	V _{PP}	Program and peripheral voltage to PC Card slot.
6, 7, 8, 12	V _{CC}	Supply voltage to slot.
9, 10	+3.3 V _{IN}	+3.3-V supply.
11	+5 V _{IN}	+5-V supply.
13	+12 V _{IN}	+12-V supply.
14	V _L	Rail voltage for switch control inputs, selectable to 5-V or 3.3-V.
15	S ₁	Control input for selecting +12 V _{IN} to V _{PP} . The PC Card terminology for this pin is V _{PP_EN1} .
16	S ₂	Control input for selecting V _{CC} to V _{PP} . The PC Card terminology for this pin is V _{PP_EN0} .

TYPICAL CHARACTERISTICS (25 °C UNLESS OTHERWISE NOTED)





TYPICAL CHARACTERISTICS (25 °C UNLESS OTHERWISE NOTED)





Disclaimer

All product specifications and data are subject to change without notice.

Vishay Intertechnology, Inc., its affiliates, agents, and employees, and all persons acting on its or their behalf (collectively, "Vishay"), disclaim any and all liability for any errors, inaccuracies or incompleteness contained herein or in any other disclosure relating to any product.

Vishay disclaims any and all liability arising out of the use or application of any product described herein or of any information provided herein to the maximum extent permitted by law. The product specifications do not expand or otherwise modify Vishay's terms and conditions of purchase, including but not limited to the warranty expressed therein, which apply to these products.

No license, express or implied, by estoppel or otherwise, to any intellectual property rights is granted by this document or by any conduct of Vishay.

The products shown herein are not designed for use in medical, life-saving, or life-sustaining applications unless otherwise expressly indicated. Customers using or selling Vishay products not expressly indicated for use in such applications do so entirely at their own risk and agree to fully indemnify Vishay for any damages arising or resulting from such use or sale. Please contact authorized Vishay personnel to obtain written terms and conditions regarding products designed for such applications.

Product names and markings noted herein may be trademarks of their respective owners.