

# DS3695A/DS3695AT/DS3696A

## Multipoint RS485/RS422 Transceivers

### General Description

The DS3695A and DS3696A are high speed differential TRI-STATE® bus/line transceivers designed to meet the requirements of EIA standard RS485 with extended common mode range (+12V to -7V), for multipoint data transmission. In addition they are compatible with requirements of RS-422.

The driver and receiver outputs feature TRI-STATE capability. The driver outputs remain in TRI-STATE over the entire common mode range of +12V to -7V. Bus faults that cause excessive power dissipation within the device trigger a thermal shutdown circuit, which forces the driver outputs into the high impedance state. The DS3696A provides an output pin (TS) which reports the thermal shutdown of the device. TS is an "open collector" pin with an internal 10 kΩ pull-up resistor. This allows the TS outputs of several devices to be wire OR-ed.

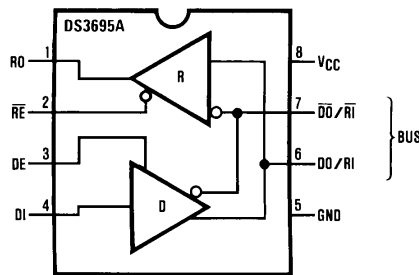
Both AC and DC specifications are guaranteed over the 0°C to 70°C temperature and 4.75V to 5.25V supply voltage range.

### Features

- Meets EIA standard RS485 for multipoint bus transmission and is compatible with RS-422
- 10 ns driver propagation delays (typical)
- Single +5V supply
- -7V to +12V bus common mode range permits ±7V ground difference between devices on the bus
- Thermal shutdown protection
- High impedance to bus with driver in TRI-STATE or with power off, over the entire common mode range allows the unused devices on the bus to be powered down
- Combined impedance of a driver output and receiver input is less than one RS485 unit load, allowing up to 32 transceivers on the bus
- 70 mV typical receiver hysteresis
- Available in SOIC packaging

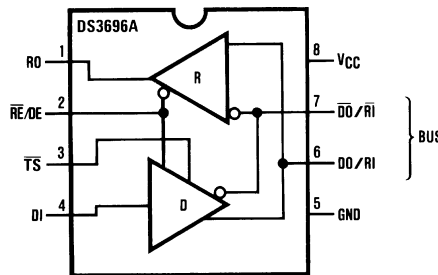
### Connection and Logic Diagram

Molded Package, Small Outline (M)



00527201

Top View



00527202

$\overline{TS}$  was  $\overline{LF}$  (Line Fault) on previous datasheets,  $\overline{TS}$  goes low upon thermal shutdown.

Top View

Order Number DS3695AM, DS3695ATM or DS3696AM  
See NS Package Number M08A

TRI-STATE® is a registered trademark of National Semiconductor Corporation.

**Absolute Maximum Ratings** (Note 1)

If Military/Aerospace specified devices are required, please contact the National Semiconductor Sales Office/Distributors for availability and specifications.

Supply Voltage, $V_{CC}$	7V
Control Input Voltages	7V
Driver Input Voltage	7V
Driver Output Voltages	+15V/-10V
Receiver Input Voltages	+15V/-10V
Receiver Output Voltage	5.5V
Continuous Power Dissipation @ 25°C	
M Package	630 mW (Note 4)

Storage Temp. Range -65°C to +150°C

Lead Temp. (Soldering 4 seconds) 260°C

**Recommended Operating Conditions**

	Min	Max	Units
Supply Voltage, $V_{CC}$	4.75	5.25	V
Bus Voltage	-7	+12	V
Operating Free Air Temp. ( $T_A$ )			
Commercial (DS3695AM)	0	+70	°C
Industrial (DS3695ATM)	-40	+85	°C
Commercial (DS3696AM)	0	+70	°C

**Electrical Characteristics** (Notes 2, 3)

0°C ≤  $T_A$  ≤ 70°C, 4.75V <  $V_{CC}$  < 5.25V unless otherwise specified

Symbol	Parameter	Conditions	Min	Typ	Max	Units	
$V_{OD1}$	Differential Driver Output Voltage (Unloaded)	$I_O = 0$			5	V	
$V_{OD2}$	Differential Driver Output Voltage (with Load)	R = 50Ω; (RS-422) (Note 5)	2			V	
		R = 27Ω; (RS-485)	1.5			V	
$\Delta V_{OD}$	Change in Magnitude of Driver Differential Output Voltage For Complementary Output States	R = 27Ω			0.2	V	
$V_{OC}$	Driver Common Mode Output Voltage				3.0	V	
$ \Delta V_{OC} $	Change in Magnitude of Driver Common Mode Output Voltage For Complementary Output States				0.2	V	
$V_{IH}$	Input High Voltage	DI, DE, $\overline{RE}$ , $\overline{RE}/DE$	2			V	
$V_{IL}$	Input Low Voltage				0.8	V	
$V_{CL}$	Input Clamp Voltage		$I_{IN} = -18$ mA			-1.5	V
$I_{IL}$	Input Low Current		$V_{IL} = 0.4$ V			-200	μA
$I_{IH}$	Input High Current		$V_{IH} = 2.4$ V			20	μA
$I_{IN}$	Input Current	DO/RI, $\overline{DO}/\overline{RI}$ RI, $\overline{RI}$	$V_{CC} = 0$ V or 5.25V			+1.0	mA
			DE or $\overline{RE}/DE = 0$ V			-0.8	mA
$V_{TH}$	Differential Input Threshold Voltage for Receiver	$-7V \leq V_{CM} \leq +12V$	-0.2		+0.2	V	
$\Delta V_{TH}$	Receiver Input Hysteresis	$V_{CM} = 0$ V		70		mV	
$V_{OH}$	Receiver Output High Voltage	$I_{OH} = -400$ μA	2.4			V	
$V_{OL}$	Output Low Voltage	RO	$I_{OL} = 16$ mA (Note 5)			0.5	V
		$\overline{TS}$	$I_{OL} = 8$ mA			0.45	V
$I_{OZR}$	OFF-State (High Impedance) Output Current at Receiver	$V_{CC} = \text{Max}$ $0.4V \leq V_O \leq 2.4V$			±20	μA	
$R_{IN}$	Receiver Input Resistance	$-7V \leq V_{CM} \leq +12V$	12			kΩ	
$I_{CC}$	Supply Current	No Load (Note 5)	Driver Outputs Enabled		42	60	mA
			Driver Outputs Disabled		27	40	mA
$I_{OSD}$	Driver Short-Circuit Output Current	$V_O = -7$ V (Note 5)			-250	mA	
		$V_O = +12$ V (Note 5)			+250	mA	
$I_{OSR}$	Receiver Short-Circuit Output Current	$V_O = 0$ V	-15		-85	mA	

**Note 1:** "Absolute maximum ratings" are those beyond which the safety of the device cannot be guaranteed. They are not meant to imply that the device should be operated at these limits. The tables of "Electrical Characteristics" provide conditions for actual device operation.

**Note 2:** All currents into device pins are positive; all currents out of device pins are negative. All voltages are referenced to device ground unless otherwise specified.

**Note 3:** All typicals are given for  $V_{CC} = 5V$  and  $T_A = 25^\circ C$ .

**Note 4:** Derate linearly at  $6.5 \text{ mW}/^\circ C$  to  $337 \text{ mW}$  at  $70^\circ C$ .

**Note 5:** All limits for which Note 5 is applied must be derated by 10% for DS3695AT. Other parameters remain the same for this extended temperature range device ( $-40^\circ C \leq T_A \leq +85^\circ C$ ).

## Switching Characteristics

$0^\circ C \leq T_A \leq 70^\circ C$ ,  $4.75V < V_{CC} < 5.25V$  unless otherwise specified (Note 3)

## Receiver Switching Characteristics

(Figures 1, 2 and Figure 3)

Symbol	Conditions	Min	Typ	Max	Units
$t_{PLH}$	$C_L = 15 \text{ pF}$	15	28	42	ns
$t_{PHL}$	S1 and S2	15	28	42	ns
$ t_{PLH} - t_{PHL} $	Closed	0	3		ns
$t_{PLZ}$	$C_L = 15 \text{ pF}$ , S2 Open	5	29	35	ns
$t_{PHZ}$	$C_L = 15 \text{ pF}$ , S1 Open	5	12	16	ns
$t_{PZL}$	$C_L = 15 \text{ pF}$ , S2 Open	7	15	28	ns
$t_{PZH}$	$C_L = 15 \text{ pF}$ , S1 Open	7	15	20	ns

## Driver Switching Characteristics

Symbol	Conditions	Min	Typ	Max	Units
<b>SINGLE ENDED CHARACTERISTICS</b> (Figures 4, 5 and Figure 7)					
$t_{PLH}$	$R_{LDIFF} = 60\Omega$	9	15	22	ns
$t_{PHL}$	$C_{L1} = C_{L2} = 100 \text{ pF}$	9	15	22	ns
$t_{SKEW}  t_{PLH} - t_{PHL} $		0	2	8	ns
$t_{PLZ}$	$C_L = 15 \text{ pF}$ , S2 Open	7	15	30	ns
$t_{PHZ}$	$C_L = 15 \text{ pF}$ , S1 Open	7	15	30	ns
$t_{PZL}$	$C_L = 100 \text{ pF}$ , S2 Open	30	35	50	ns
$t_{PZH}$	$C_L = 100 \text{ pF}$ , S1 Open	30	35	50	ns
<b>DIFFERENTIAL SWITCHING CHARACTERISTICS</b> (Figure 7)					
$t_r, t_f$	$R_{LDIFF} = 60\Omega$ $C_{L1} = C_{L2} = 100 \text{ pF}$	6	10	18	ns

## AC Test Circuits and Switching Waveforms

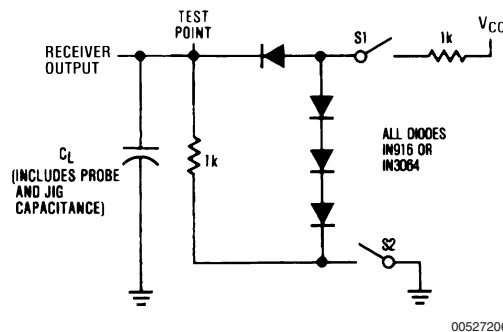
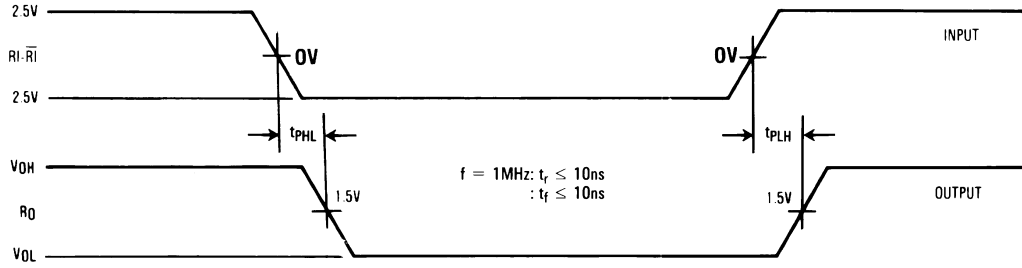


FIGURE 1. Receiver Propagation Delay Test Circuit

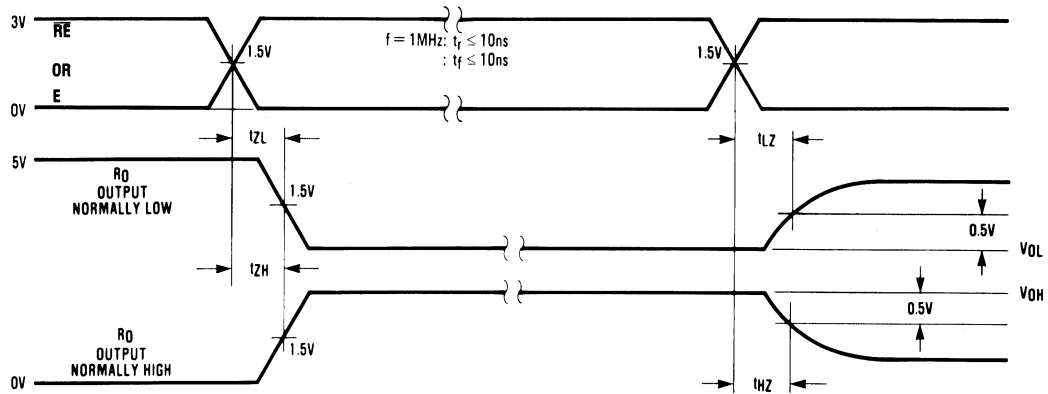
# AC Test Circuits and Switching Waveforms (Continued)



00527207

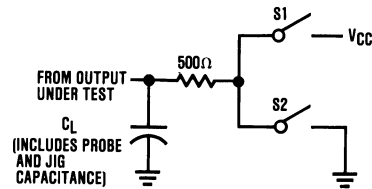
Differential input voltage may be realized by grounding  $\overline{RI}$  and pulsing  $RI$  between +2.5V and -2.5V

**FIGURE 2. Receiver Input-to-Output Propagation Delay Timing**



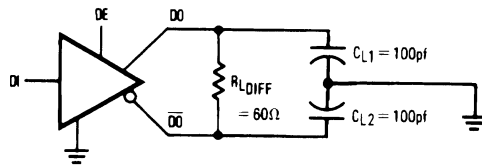
00527208

**FIGURE 3. Receiver Enable/Disable Propagation Delay Timing**



00527209

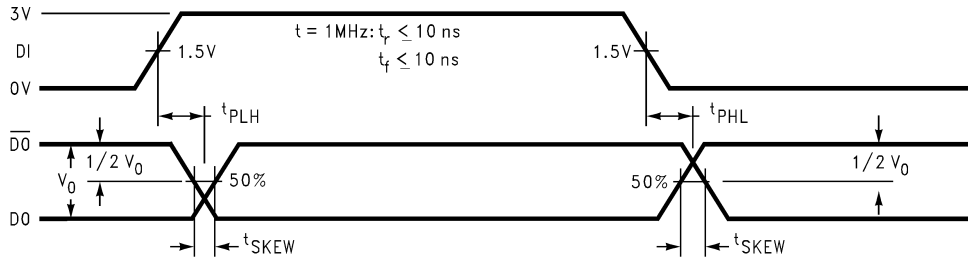
Unless otherwise specified the switches are closed.



00527210

**FIGURE 4. Driver Propagation Delay Test Circuits**

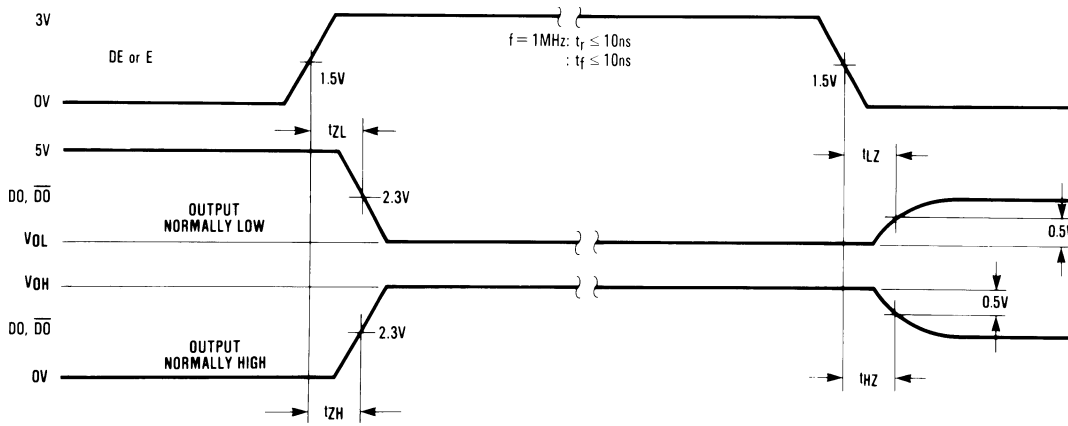
AC Test Circuits and Switching Waveforms (Continued)



00527211

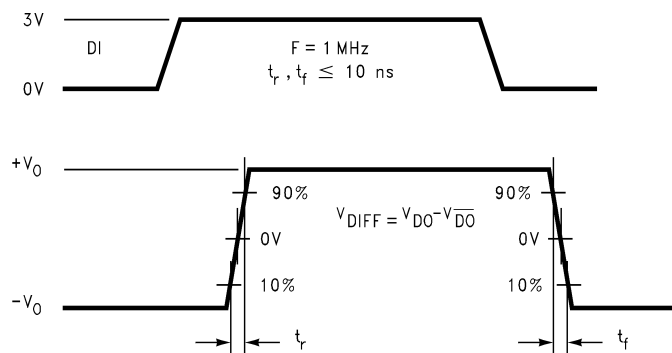
$t_{\text{PLH}}$  and  $t_{\text{PHL}}$  are measured to the respective 50% points.  $t_{\text{SKEW}}$  is the difference between propagation delays of the complementary outputs.

FIGURE 5. Driver Input-to-Output Propagation Delay Timing (Single-Ended)



00527212

FIGURE 6. Driver Enable/Disable Propagation Delay Timing



00527213

FIGURE 7. Driver Differential Transition Timing

## Function Tables

### DS3695A/DS3696A Transmitting

Inputs			Line Condition	Outputs		
$\overline{RE}$	DE	DI		$\overline{DO}$	DO	$\overline{TS}$ * (DS3696A Only)
X	1	1	No Fault	0	1	H
X	1	0	No Fault	1	0	H
X	0	X	X	Z	Z	H
X	1	X	Fault	Z	Z	L

### DS3695A/DS3696A Receiving

Inputs			Output	
$\overline{RE}$	DE	RI- $\overline{RI}$	RO	$\overline{TS}$ * (DS3696A Only)
0	0	$\geq +0.2V$	1	H
0	0	$\leq -0.2V$	0	H
0	0	Inputs Open**	1	H
1	0	X	Z	H

X — Don't care condition

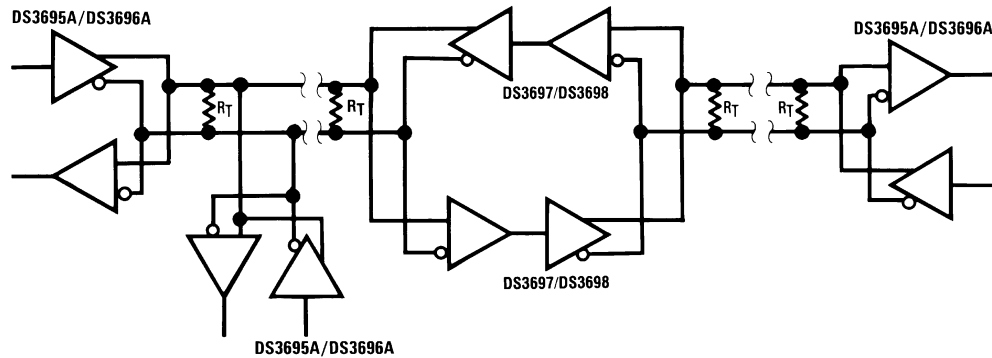
Z — High impedance state

Fault — Improper line conditions causing excessive power dissipation in the driver, such as shorts or bus contention situations

\*  $\overline{TS}$  is an "open collector" output with an on-chip 10 k $\Omega$  pull-up resistor.

\*\* This is a fail safe condition

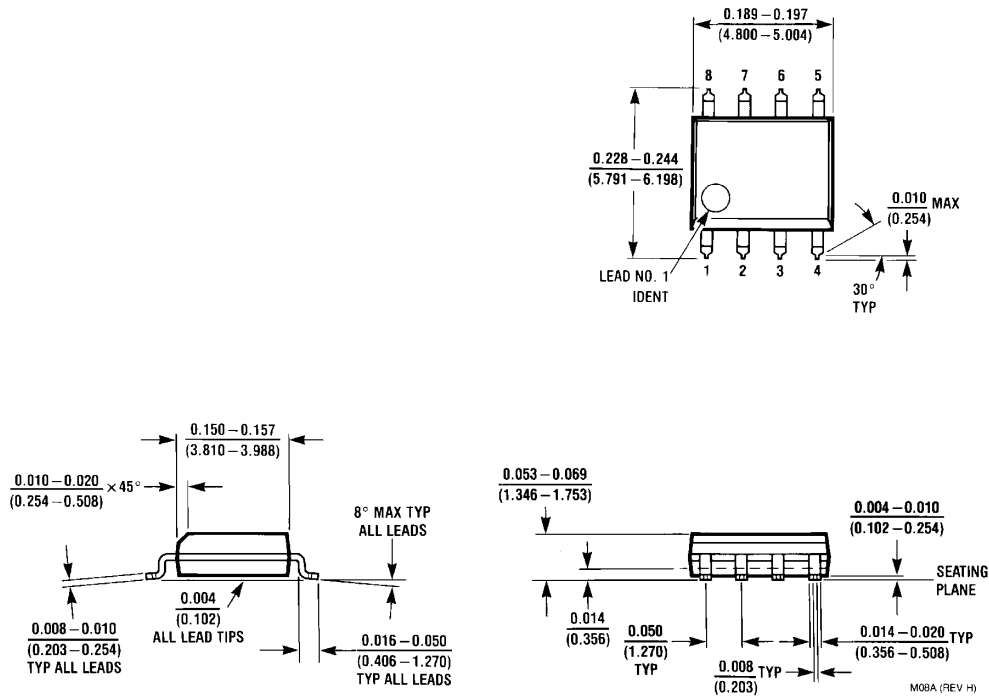
### Typical Application



Repeater control logic not shown. See AN-702.

00527218

**Physical Dimensions** inches (millimeters) unless otherwise noted



**Molded SOIC Package (M)**  
**Order Number DS3695AM, DS3695ATM or DS3696AM**  
**NS Package Number M08A**

National does not assume any responsibility for use of any circuitry described, no circuit patent licenses are implied and National reserves the right at any time without notice to change said circuitry and specifications.

For the most current product information visit us at [www.national.com](http://www.national.com).

**LIFE SUPPORT POLICY**

NATIONAL'S PRODUCTS ARE NOT AUTHORIZED FOR USE AS CRITICAL COMPONENTS IN LIFE SUPPORT DEVICES OR SYSTEMS WITHOUT THE EXPRESS WRITTEN APPROVAL OF THE PRESIDENT AND GENERAL COUNSEL OF NATIONAL SEMICONDUCTOR CORPORATION. As used herein:

1. Life support devices or systems are devices or systems which, (a) are intended for surgical implant into the body, or (b) support or sustain life, and whose failure to perform when properly used in accordance with instructions for use provided in the labeling, can be reasonably expected to result in a significant injury to the user.
2. A critical component is any component of a life support device or system whose failure to perform can be reasonably expected to cause the failure of the life support device or system, or to affect its safety or effectiveness.

**BANNED SUBSTANCE COMPLIANCE**

National Semiconductor certifies that the products and packing materials meet the provisions of the Customer Products Stewardship Specification (CSP-9-111C2) and the Banned Substances and Materials of Interest Specification (CSP-9-111S2) and contain no "Banned Substances" as defined in CSP-9-111S2.



**National Semiconductor**  
**Americas Customer Support Center**  
 Email: [new.feedback@nsc.com](mailto:new.feedback@nsc.com)  
 Tel: 1-800-272-9959

**National Semiconductor**  
**Europe Customer Support Center**  
 Fax: +49 (0) 180-530 85 86  
 Email: [europe.support@nsc.com](mailto:europe.support@nsc.com)  
 Deutsch Tel: +49 (0) 69 9508 6208  
 English Tel: +44 (0) 870 24 0 2171  
 Français Tel: +33 (0) 1 41 91 8790

**National Semiconductor**  
**Asia Pacific Customer Support Center**  
 Email: [ap.support@nsc.com](mailto:ap.support@nsc.com)

**National Semiconductor**  
**Japan Customer Support Center**  
 Fax: 81-3-5639-7507  
 Email: [jpn.feedback@nsc.com](mailto:jpn.feedback@nsc.com)  
 Tel: 81-3-5639-7560

[www.national.com](http://www.national.com)