

# LM27222

## High-Speed 4.5A Synchronous MOSFET Driver

### General Description

The LM27222 is a dual N-channel MOSFET driver designed to drive MOSFETs in push-pull configurations as typically used in synchronous buck regulators. The LM27222 takes the PWM output from a controller and provides the proper timing and drive levels to the power stage MOSFETs. Adaptive shoot-through protection prevents damaging and efficiency reducing shoot-through currents, thus ensuring a robust design capable of using nearly any MOSFET. The adaptive shoot-through protection circuitry also reduces the dead time down to as low as 10ns ensuring the highest operating efficiency. The peak sourcing and sinking current for each driver of the LM27222 is about 3A and 4.5Amps respectively with a Vgs of 5V. System performance is also enhanced by keeping propagation delay down to 8ns. Efficiency is once again improved at all load currents by supporting synchronous, non-synchronous, and diode emulation modes through the LEN pin. The minimum output pulse width realized at the output of the MOSFETs is as low as 30ns. This enables high operating frequencies at very high conversion ratios in buck regulator designs. The LM27222 simplifies sequencing requirements by keeping gate drives low until Vin and Vcc are stable and the switching controller starts operating. To support low power states in notebook

systems, LM27222 draws only 5µA from the 5V rail when the IN and LEN inputs are low or floating.

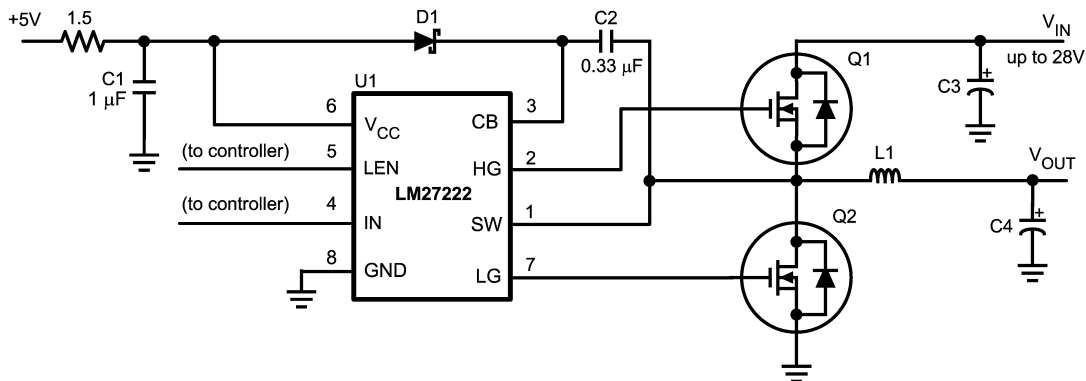
### Features

- Adaptive shoot-through protection
- 10ns dead time
- 8ns propagation delay
- 30ns minimum on-time
- 0.4Ω pull-down and 0.9Ω pull-up drivers
- 4.5A peak driving current
- MOSFET tolerant design
- 5µA quiescent current
- 28V input voltage in buck configuration
- SO-8 and LLP packages

### Applications

- High Current DC/DC Power Supplies
- High Input Voltage Switching Regulators
- Fast Transient DC/DC Power Supplies
- Single ended forward output rectification
- Notebook Computer core regulators

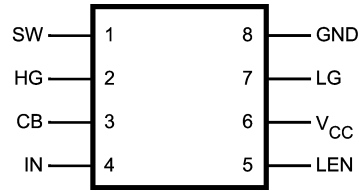
### Typical Application



20117902

FIGURE 1.

## Connection Diagram



20117901

**Top View**  
**SO-8 (NS Package # M08A)  $\theta_{JA} = 172^{\circ}\text{C/W}$**   
**or**  
**LLP-8 (NS Package # SDC08A)  $\theta_{JA} = 39^{\circ}\text{C/W}$**

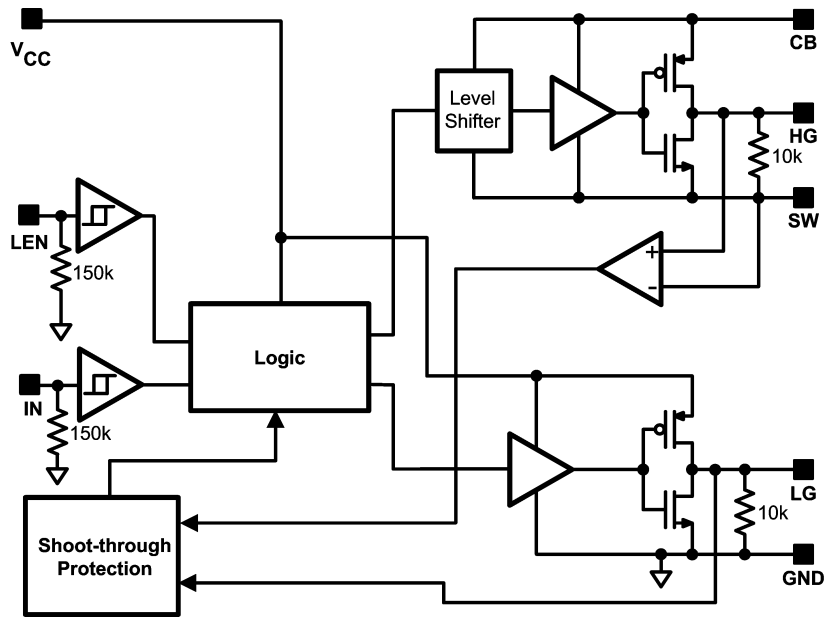
## Ordering Information

Order Number	Size	NSC Drawing #	Package Type	Supplied As
LM27222M	SO-8	M08A	Rail	95 Units/Rail
LM27222MX			Tape and Reel	2500 Units/Reel
LM27222SD	LLP-8	SDC08A	Tape and Reel	1000 Units/Reel
LM27222SDX			Tape and Reel	4500 Units/Reel

## Pin Description

Pin #	Pin Name	Pin Function
1	SW	High-side driver return. Should be connected to the common node of high and low-side MOSFETs.
2	HG	High-side gate drive output. Should be connected to the high-side MOSFET gate. Pulled down internally to SW with a 10K resistor to prevent spurious turn on of the high-side MOSFET when the driver is off.
3	CB	Bootstrap. Accepts a bootstrap voltage for powering the high-side driver.
4	IN	Accepts a logic control signal from a controller. Pulled down internally to GND with a 150K resistor to prevent spurious turn on of the high-side MOSFET when the controller is inactive.
5	LEN	Low-side gate enable. Pulled down internally to GND with a 150K resistor to prevent spurious turn-on of the low-side MOSFET when the controller is inactive.
6	V <sub>CC</sub>	Connect to +5V supply.
7	LG	Low-side gate drive output. Should be connected to low-side MOSFET gate. Pulled down internally to GND with a 10K resistor to prevent spurious turn on of the low-side MOSFET when the driver is off.
8	GND	Ground.

### Block Diagram



20117903

**Absolute Maximum Ratings** (Note 1)

If Military/Aerospace specified devices are required, please contact the National Semiconductor Sales Office/Distributors for availability and specifications.

V <sub>CC</sub> to GND	-0.3V to 7V
CB to GND	-0.3V to 36V
CB to SW	-0.3V to 7V
SW to GND (Note 2)	-0.2V to 36V
LEN to GND	-0.3V to 7V
IN to GND	-0.3V to 7V
LG to GND	-0.3V to 7V
HG to GND	-0.3V to 36V

Junction Temperature	+150°C
Power Dissipation (Note 3)	720mW
Storage Temperature	-65° to 150°C
ESD Susceptibility	
Human Body Model	2kV

**Operating Ratings** (Note 1)

VCC	4V to 7V
Junction Temperature Range	-40° to 125°C
CB (max)	33V

**Electrical Characteristics** (Note 4)

VCC = CB = 5V, SW = GND = 0V, unless otherwise specified. Typical and limits appearing in plain type apply for T<sub>A</sub> = T<sub>J</sub> = +25°C. Limits appearing in **boldface** type apply over the entire operating temperature range (-40°C ≤ T<sub>J</sub> ≤ 125°C).

Symbol	Parameter	Conditions	Min	Typ	Max	Units
<b>POWER SUPPLY</b>						
I <sub>q-op</sub>	Operating Quiescent Current	IN = 0V, LEN = 0V		5	15 <b>30</b>	μA
		IN = 0V, LEN = 5V	500	540	650 <b>825</b>	μA
<b>HIGH-SIDE DRIVER</b>						
	Peak Pull-up Current			3		A
R <sub>H-pu</sub>	Pull-up Rds <sub>on</sub>	I <sub>CB</sub> = I <sub>HG</sub> = 0.3A		0.9	<b>2.5</b>	Ω
	Peak Pull-down Current			4.5		A
R <sub>H-pd</sub>	Pull-down Rds <sub>on</sub>	I <sub>SW</sub> = I <sub>HG</sub> = 0.3A		0.4	<b>1.5</b>	Ω
t <sub>4</sub>	Rise Time	Timing Diagram, C <sub>LOAD</sub> = 3.3nF		17		ns
t <sub>6</sub>	Fall Time	Timing Diagram, C <sub>LOAD</sub> = 3.3nF		12		ns
t <sub>3</sub>	Pull-up Dead Time	Timing Diagram		9.5		ns
t <sub>5</sub>	Pull-down Delay	Timing Diagram		16.5		ns
t <sub>on_min</sub>	Minimum Positive Output Pulse Width			30		ns
<b>LOW-SIDE DRIVER</b>						
	Peak Pull-up Current			3.2		A
R <sub>L-pu</sub>	Pull-up Rds <sub>on</sub>	I <sub>VCC</sub> = I <sub>LG</sub> = 0.3A		0.9	<b>2.5</b>	Ω
	Peak Pull-down Current			4.5		A
R <sub>L-pd</sub>	Pull-down Rds <sub>on</sub>	I <sub>GND</sub> = I <sub>LG</sub> = 0.3A		0.4	<b>1.5</b>	Ω
t <sub>8</sub>	Rise Time	Timing Diagram, C <sub>LOAD</sub> = 3.3nF		17		ns
t <sub>2</sub>	Fall Time	Timing Diagram, C <sub>LOAD</sub> = 3.3nF		14		ns
t <sub>7</sub>	Pull-up Dead Time	Timing Diagram		11.5		ns
t <sub>1</sub>	Pull-down Delay	Timing Diagram		7.7		ns
<b>PULL-DOWN RESISTANCES</b>						
	HG-SW Pull-down Resistance			10k		Ω
	LG-GND Pull-down Resistance			10k		Ω
	LEN-GND Pull-down Resistance			150K		Ω
	IN-GND Pull-down Resistance			150K		Ω
<b>LEAKAGE CURRENTS</b>						
I <sub>leak_IN</sub>	IN pin Leakage Current	IN = 0V, Source Current		50		nA
		IN = 5V, Sink Current		33		μA

## Electrical Characteristics (Note 4) (Continued)

VCC = CB = 5V, SW = GND = 0V, unless otherwise specified. Typical and limits appearing in plain type apply for  $T_A = T_J = +25^\circ\text{C}$ . Limits appearing in **boldface** type apply over the entire operating temperature range ( $-40^\circ\text{C} \leq T_J \leq 125^\circ\text{C}$ ).

Symbol	Parameter	Conditions	Min	Typ	Max	Units
$I_{\text{leak\_LEN}}$	LEN pin Leakage Current	LEN = 0V, Source Current		200		nA
		LEN = 5V, Sink Current		33		$\mu\text{A}$

### LOGIC

Symbol	Parameter	Conditions	Min	Typ	Max	Units
$V_{\text{IH\_LEN}}$	LEN Pin High Input	When LEN pin goes high from 0V			<b>65</b>	% of $V_{\text{CC}}$
$V_{\text{IL\_LEN}}$	LEN Pin Low Input	When LEN pin goes low from 5V	<b>30</b>			% of $V_{\text{CC}}$
$V_{\text{IH\_IN}}$	IN High Level Input Voltage	When IN pin goes high from 0V			<b>65</b>	% of $V_{\text{CC}}$
$V_{\text{IL\_IN}}$	IN Low Level Input Voltage	When IN pin goes low from 5V	<b>30</b>			% of $V_{\text{CC}}$

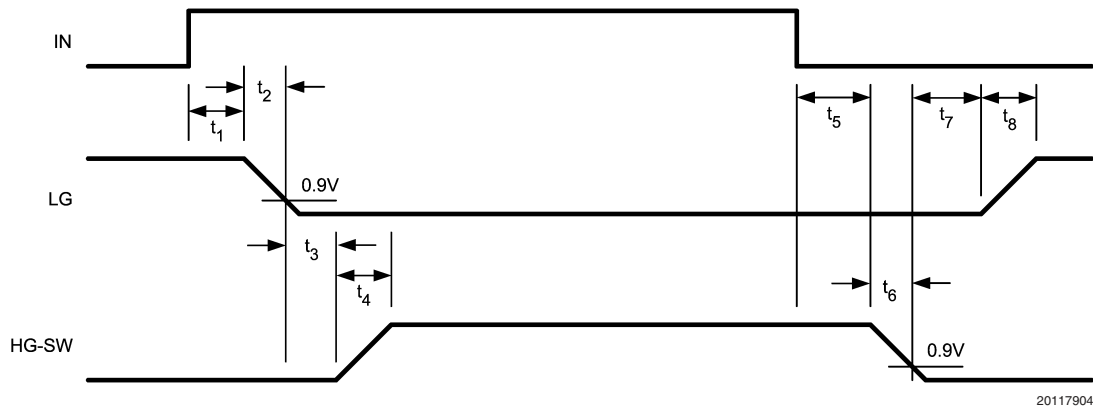
**Note 1: Absolute Maximum Ratings** are limits beyond which damage to the device may occur. **Operating ratings** are conditions under which the device operates correctly. Operating Ratings do not imply guaranteed performance limits.

**Note 2:** The SW pin can have -2V to -0.5V volts applied for a maximum duty cycle of 10% with a maximum period of 1 second. There is no duty cycle or maximum period limitation for a SW pin voltage range of -0.5V to 30 Volts.

**Note 3:** Maximum allowable power dissipation is a function of the maximum junction temperature,  $T_{\text{JMAX}}$ , the junction-to-ambient thermal resistance,  $\theta_{\text{JA}}$ , and the ambient temperature,  $T_A$ . The maximum allowable power dissipation at any ambient temperature is calculated using:  $P_{\text{MAX}} = (T_{\text{JMAX}} - T_A) / \theta_{\text{JA}}$ . The junction-to-ambient thermal resistance,  $\theta_{\text{JA}}$ , for the LM2722, it is  $172^\circ\text{C/W}$ . For a  $T_{\text{JMAX}}$  of  $150^\circ\text{C}$  and  $T_A$  of  $25^\circ\text{C}$ , the maximum allowable power dissipation is 0.7W. The  $\theta_{\text{JA}}$  for the LM2724 LLP-8 package is  $39^\circ\text{C/W}$ . For a  $T_{\text{JMAX}}$  of  $150^\circ\text{C}$  and  $T_A$  of  $25^\circ\text{C}$ , the maximum allowable power dissipation is 3.2W.

**Note 4:** Min and Max limits are 100% production tested at  $25^\circ\text{C}$ . Limits over the operating temperature range are guaranteed through correlation using Statistical Quality Control (SQC) methods. Limits are used to calculate National's Average Outgoing Quality Level (AOQL).

## Timing Diagram



## Typical Waveforms

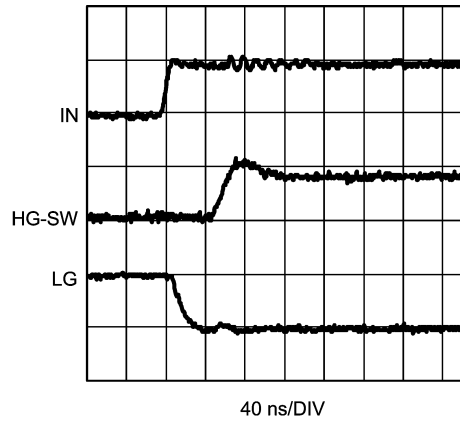


FIGURE 2. IN Rising

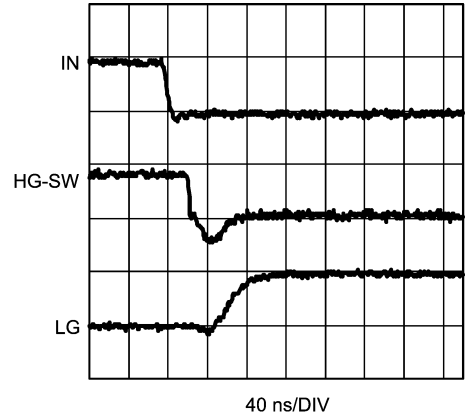


FIGURE 3. IN Falling

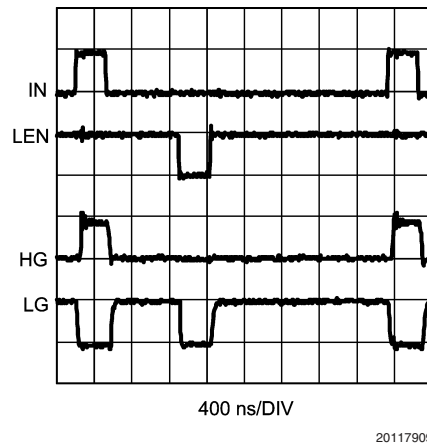


FIGURE 4. LEN Operation

The typical waveforms are from a circuit similar to *Figure 1* with:

Q1: 2 x Si7390DP

Q2: 2 x Si7356DP

L1: 0.4  $\mu$ H

$V_{IN}$ : 12V

## Application Information

### MINIMUM PULSE WIDTH

As the input pulse width to the IN pin is decreased, the pulse width of the high-side gate drive (HG-SW) also decreases. However, for input pulse widths 60ns and smaller, the HG-SW remains constant at 30ns. Thus the minimum pulse width of the driver output is 30ns. *Figure 5* shows an input pulse at the IN pin 20ns wide, and the output of the driver, as measured between the nodes HG and SW is a 30ns wide pulse. *Figure 6* shows the variation of the SW node pulse width vs IN pulse width. At the IN pin, if a falling edge is followed by a rising edge within 5ns, the HG may ignore the rising edge and remain low until the IN pin toggles again. If a rising edge is followed by a falling edge within 5ns, the pulse may be completely ignored.

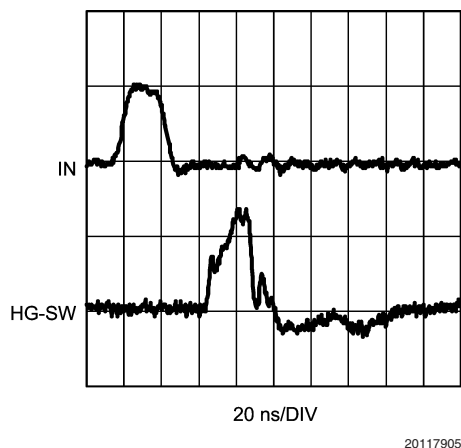


FIGURE 5. Min On Time

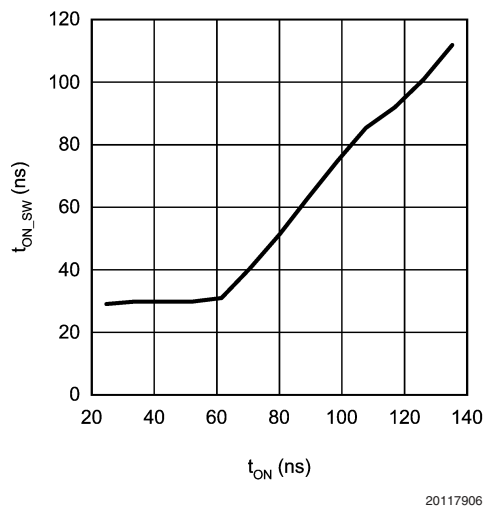


FIGURE 6.

### ADAPTIVE SHOOT-THROUGH PROTECTION

The LM27222 prevents shoot-through power loss by ensuring that both the high- and low-side MOSFETs are not conducting at the same time. When the IN signal rises, LG is first pulled down. The adaptive shoot-through protection circuit waits for LG to reach 0.9V before turning on HG. Similarly,

when IN goes low, HG is pulled down first, and the circuit turns LG on only after the voltage difference between the high-side gate and the switch node, ie HG-SW, has fallen to 0.9V. The dead-time between the high and low-side pulses is kept as small as possible to minimize conduction through the body diode of the low-side MOSFET(s).

### POWER DISSIPATION

The power dissipated in the driver IC when switching synchronously can be calculated as follows:

$$P = \frac{f_{SW} \times V_{CC}}{2} \left[ Q_{G-H} \left( \frac{R_{H-pu}}{R_{H-pu} + R_{G-H}} \right) + \left( \frac{R_{H-pd}}{R_{H-pd} + R_{G-H}} \right) + Q_{G-L} \left( \frac{R_{L-pu}}{R_{L-pu} + R_{G-L}} \right) + \left( \frac{R_{L-pd}}{R_{L-pd} + R_{G-L}} \right) \right]$$

where  $f_{SW}$  = switching frequency

$V_{CC}$  = voltage at the  $V_{CC}$  pin,

$Q_{G-H}$  = total gate charge of the (parallel combination of the) high-side MOSFET(s)

$Q_{G-L}$  = total gate charge of the (parallel combination of the) low-side MOSFET(s)

$R_{G-H}$  = gate resistance of the (parallel combination of the) high-side MOSFET(s)

$R_{G-L}$  = gate resistance of the (parallel combination of the) low-side MOSFET(s)

$R_{H-pu}$  = pull-up  $R_{DS\_ON}$  of the high-side driver

$R_{H-pd}$  = pull-down  $R_{DS\_ON}$  of the high-side driver

$R_{L-pu}$  = pull-up  $R_{DS\_ON}$  of the low-side driver

$R_{L-pd}$  = pull-down  $R_{DS\_ON}$  of the low-side driver

### PC BOARD LAYOUT GUIDELINES

1. Place the driver as close to the MOSFETs as possible
2. HG, SW, LG, GND: Run short, thick traces between the driver and the MOSFETs. To minimize parasitics, the traces for HG and SW should run parallel and close to each other. The same is true for LG and GND
3. Driver  $V_{CC}$ : Place the coupling capacitor close to the  $V_{CC}$  and GND pins
4. The high-current loop between the high-side and low-side MOSFETs and the input capacitors should be as small as possible
5. There should be enough copper area near the MOSFETs and the inductor for heat dissipation. Vias may also be added to carry the heat to other layers

### TYPICAL APPLICATION CIRCUIT DESCRIPTION

The Typical Application Circuit shown on the following page shows the LM27222 being used with National's LM27212 2-Phase Hysteretic Current mode controller. Although this circuit is capable of operating from 5V to 28V, the components are optimized for a input voltage range of 9V to 28V. The high-side FET is selected for low gate charge to reduce switching losses. For low duty cycles, the average current is relatively small and thus we trade off higher conduction losses for lower switching losses. The low side FET is selected solely on  $R_{DS\_ON}$  to minimize conduction losses. If the input voltage range were 4V to 6V, the MOSFET selection should be changed. First, much lower voltage FETs can be

## Application Information (Continued)

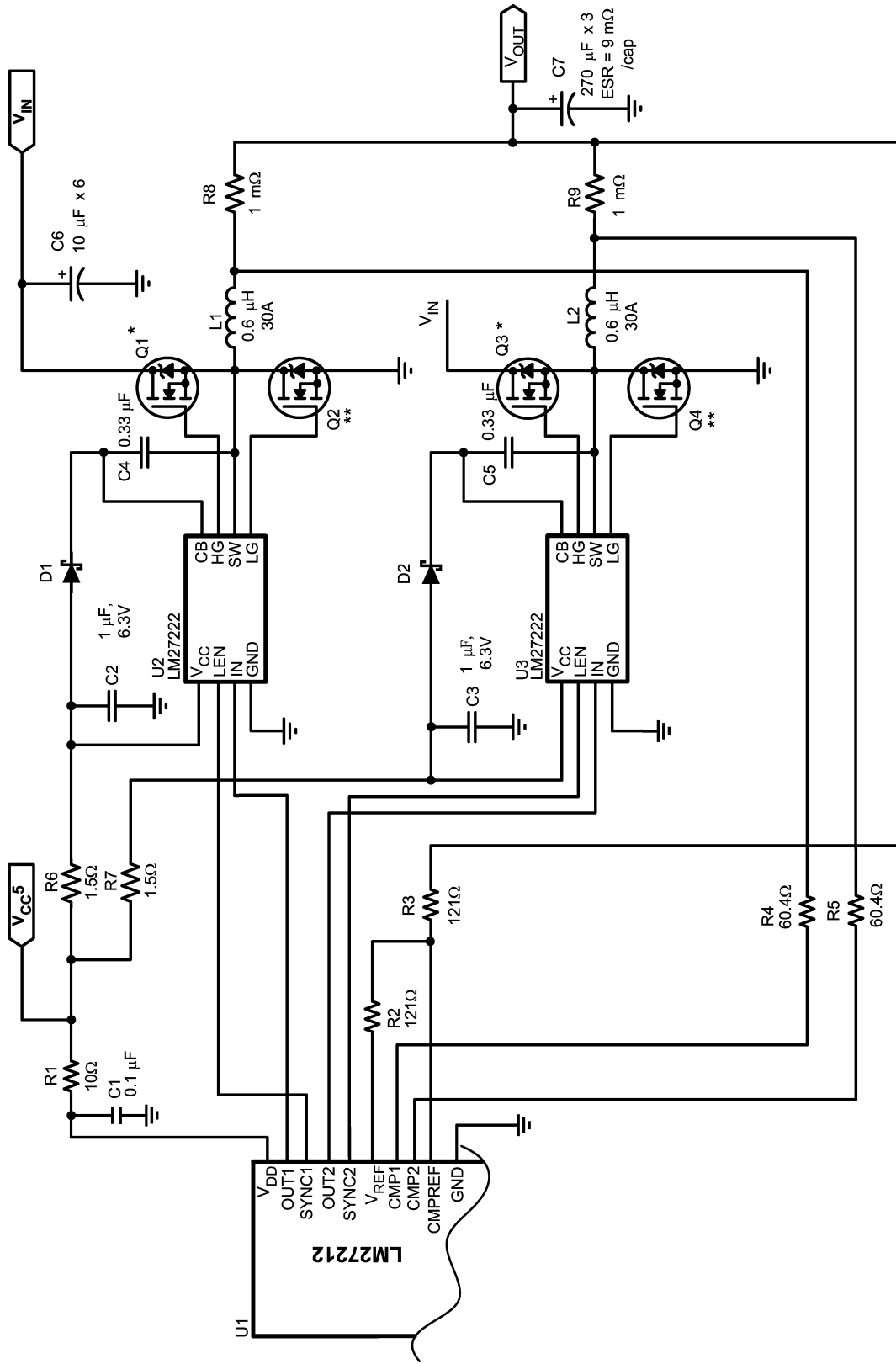
used, and secondly, high-side switch resistance becomes a larger loss factor than the switching losses. Of course with a lower input voltage, the input capacitor voltage rating can be reduced and the inductor value can be reduced as well. For a 4V to 6V application, the inductor can be reduced to 200nH to 300nH. The switching frequency of the LM27212 is determined by the allowed ripple current in the inductor. This

circuit is set for approximately 300kHz. At lower input voltages, higher frequencies are possible without suffering significant efficiency loss. Although the LM27222 can support operating frequencies up to 2MHz in many applications, the LM27212 should be limited to about 1MHz. The control architecture of the LM27212 and the low propagation times of the LM27222 potentially gives this solution the fastest transient response in the industry.



# Application Information (Continued)

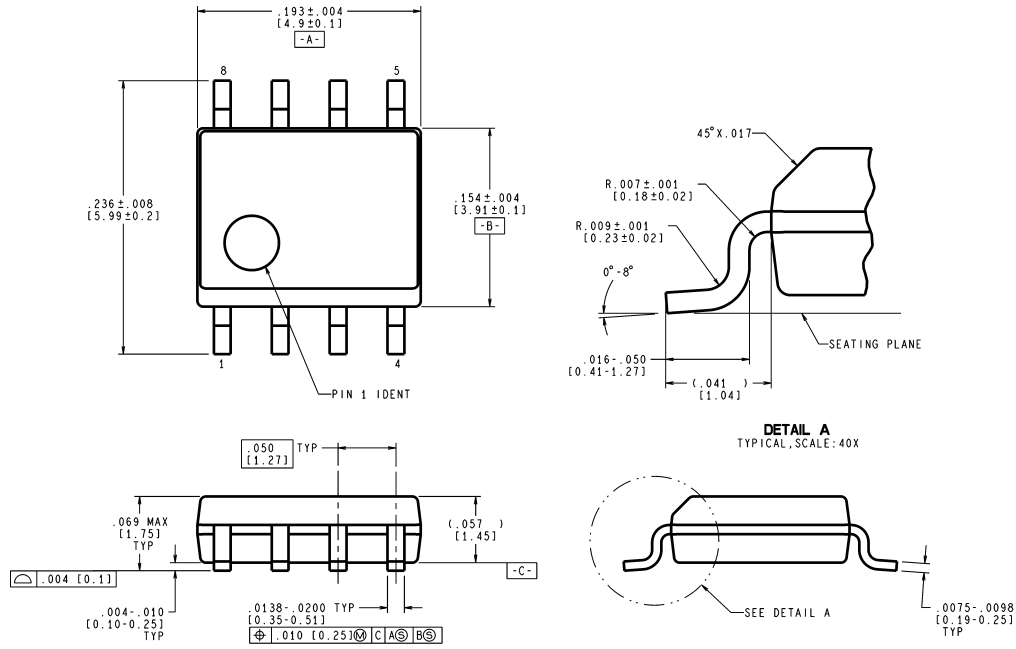
## Typical Application Circuit



\* Q1, Q3: 2 x S17390DP  
 \*\* Q2, Q4: 2 x S17356DP

20117920

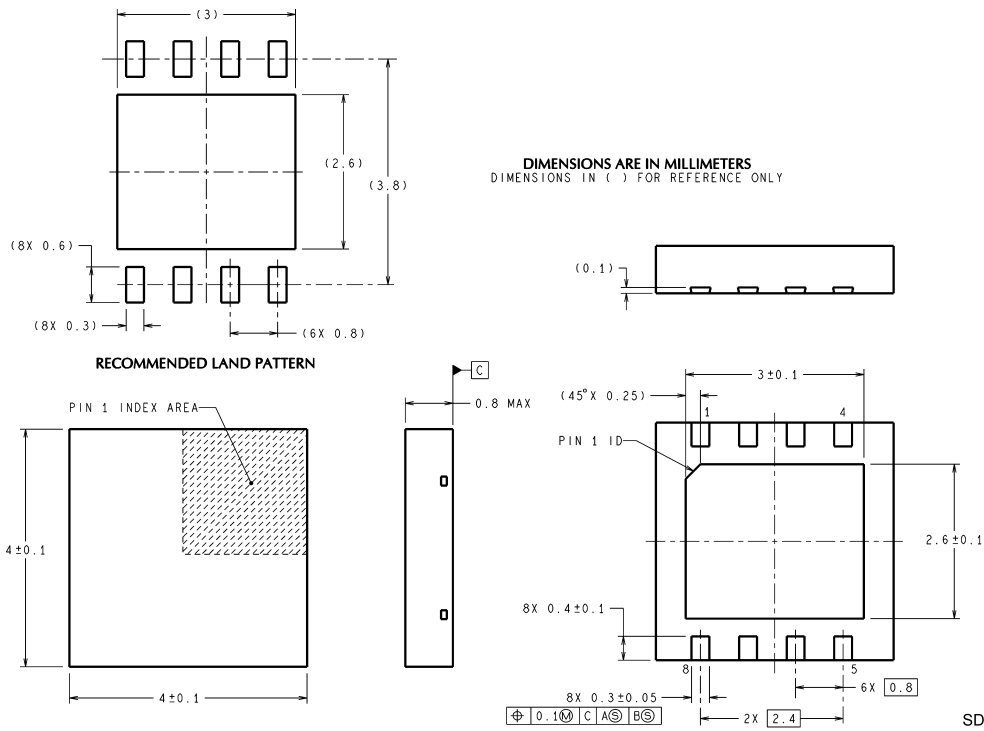
**Physical Dimensions** inches (millimeters)  
unless otherwise noted



**CONTROLLING DIMENSION IS INCH  
VALUES IN ( ) ARE MILLIMETERS**

M08A (Rev J)

**8-Lead Small Outline Package**  
**Order Number: LM27222M, LM27222MX**  
**NS Package Number M08A**



**DIMENSIONS ARE IN MILLIMETERS  
DIMENSIONS IN ( ) FOR REFERENCE ONLY**

SDC08A (Rev A)

**8-Lead LLP Package**  
**Order Number: LM27222SD, LM27222SDX**  
**NS Package Number SDC08A**

## Notes

### LIFE SUPPORT POLICY

NATIONAL'S PRODUCTS ARE NOT AUTHORIZED FOR USE AS CRITICAL COMPONENTS IN LIFE SUPPORT DEVICES OR SYSTEMS WITHOUT THE EXPRESS WRITTEN APPROVAL OF THE PRESIDENT AND GENERAL COUNSEL OF NATIONAL SEMICONDUCTOR CORPORATION. As used herein:

1. Life support devices or systems are devices or systems which, (a) are intended for surgical implant into the body, or (b) support or sustain life, and whose failure to perform when properly used in accordance with instructions for use provided in the labeling, can be reasonably expected to result in a significant injury to the user.
2. A critical component is any component of a life support device or system whose failure to perform can be reasonably expected to cause the failure of the life support device or system, or to affect its safety or effectiveness.

### BANNED SUBSTANCE COMPLIANCE

National Semiconductor certifies that the products and packing materials meet the provisions of the Customer Products Stewardship Specification (CSP-9-111C2) and the Banned Substances and Materials of Interest Specification (CSP-9-111S2) and contain no "Banned Substances" as defined in CSP-9-111S2.



**National Semiconductor**  
Americas Customer  
Support Center  
Email: [new.feedback@nsc.com](mailto:new.feedback@nsc.com)  
Tel: 1-800-272-9959

[www.national.com](http://www.national.com)

**National Semiconductor**  
Europe Customer Support Center  
Fax: +49 (0) 180-530 85 86  
Email: [europa.support@nsc.com](mailto:europa.support@nsc.com)  
Deutsch Tel: +49 (0) 69 9508 6208  
English Tel: +44 (0) 870 24 0 2171  
Français Tel: +33 (0) 1 41 91 8790

**National Semiconductor**  
Asia Pacific Customer  
Support Center  
Email: [ap.support@nsc.com](mailto:ap.support@nsc.com)

**National Semiconductor**  
Japan Customer Support Center  
Fax: 81-3-5639-7507  
Email: [jpn.feedback@nsc.com](mailto:jpn.feedback@nsc.com)  
Tel: 81-3-5639-7560