



## GS1574A HD-LINX® II Adaptive Cable Equalizer

### Features

- SMPTE 292M and SMPTE 259M compliant
- Automatic cable equalization
- Multi-standard operation from 143Mb/s to 1.485Gb/s
- Supports DVB-ASI at 270Mb/s
- Small footprint (4mm x 4mm)
- Pb-free and RoHS compliant
- Manual bypass (useful for low data rates with slow rise/fall times)
- Performance optimized for 270Mb/s and 1.485Gb/s
- Typical equalized length of Belden 1694A cable: 200m at 1.485Gb/s, 350m at 270Mb/s
- 50Ω differential output (with internal 50Ω pull-ups)
- Manual output mute or programmable mute based on max cable length adjust
- Single 3.3V power supply operation
- Operating temperature range: 0°C to +70°C

### Application

- SMPTE 292M and SMPTE 259M Coaxial Cable Serial Digital Interfaces

### Description

The GS1574A is a second-generation high-speed BiCMOS integrated circuit designed to equalize and restore signals received over 75Ω co-axial cable.

The GS1574A is designed to support SMPTE 292M and SMPTE 259M, and is optimized for performance at 270Mb/s and 1.485Gb/s.

The GS1574A features DC restoration to compensate for the DC content of SMPTE pathological test patterns.

A voltage programmable mute threshold (MCLADJ) is included to allow muting of the GS1574A output when an approximate selected cable length is reached for SMPTE 259M signals. This feature allows the GS1574A to distinguish between low amplitude SD-SDI signals and noise at the input of the device. The serial digital outputs of the GS1574A may be forced to a mute state by applying a voltage to the MUTE pin.

Power consumption is typically 215mW using a 3.3V power supply. The GS1574A is lead-free, and the encapsulation compound does not contain halogenated flame retardant.

This component and all homogeneous subcomponents are RoHS compliant.

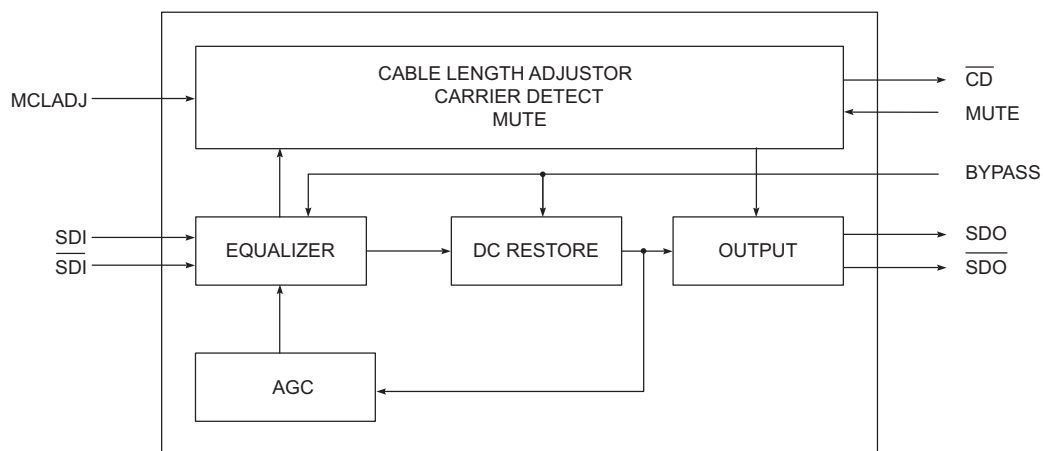


Figure A: GS1574A Functional Block Diagram

## Revision History

| Version | ECR    | PCN   | Date           | Changes and/or Modifications   |
|---------|--------|-------|----------------|--|
| 9       | 153754 | –     | September 2009 | Updated to latest Gennum template.   |
| 8       | 144435 | –     | March 2007     | Added maximum power consumption to <b>DC Electrical Characteristics</b> .  |
| 7       | 141758 | 40438 | August 2006    | Modified 200m cable length in front page Features section and <b>Detailed Description</b> .  |
| 6       | 141576 | 40438 | August 2006    | Added 200m output cable length jitter data at 1.485Gb/s in <b>AC Electrical Characteristics</b> .  |
| 5       | 139634 | 38695 | March 2006     | Corrected pad standoff height and tolerances for pad width & package dimension. Corrected pad shape.   |
| 4       | 137744 | –     | September 2005 | Convert to Data Sheet. Corrected typing errors. Corrected process to BiCMOS.   |
| 3       | 137321 | –     | June 2005      | Amended notes on use of MCLADJ above 360 Mb/s.   |
| 2       | 137167 | –     | June 2005      | Rephrased RoHS compliance statement.   |
| 1       | 136885 | –     | May 2005       | Corrected description of connection for AGC and $\overline{AGC}$ pins in the Pin Description table. Clarified solder reflow profile descriptions. Corrected minor typing errors. |

## Contents

|   |    |
|---|----|
| Features.....                           | 1  |
| Application.....                        | 1  |
| Description.....                        | 1  |
| Revision History .....                  | 2  |
| 1. Pin Out.....                         | 4  |
| 1.1 GS1574A Pin Assignment .....        | 4  |
| 1.2 GS1574A Pin Descriptions .....      | 4  |
| 2. Electrical Characteristics .....     | 6  |
| 2.1 Absolute Maximum Ratings .....      | 6  |
| 2.2 DC Electrical Characteristics ..... | 6  |
| 2.3 AC Electrical Characteristics ..... | 7  |
| 3. Solder Reflow Profiles.....          | 9  |
| 4. Test Circuit.....                    | 10 |
| 5. Input / Output Circuits .....        | 11 |
| 6. Detailed Description.....            | 13 |
| 6.1 Serial Digital Inputs .....         | 13 |
| 6.2 Cable Equalization .....            | 13 |
| 6.3 Programmable Mute Output .....      | 14 |
| 6.4 Mute and Carrier Detect .....       | 14 |

|  |    |
|--|----|
| 7. Application Information .....         | 15 |
| 7.1 PCB Layout .....                     | 15 |
| 7.2 Typical Application Circuit .....    | 15 |
| 8. Package and Ordering Information..... | 16 |
| 8.1 Package Dimensions .....             | 16 |
| 8.2 Recommended PCB Footprint .....      | 17 |
| 8.3 Packaging Data .....                 | 17 |
| 8.4 Ordering Information .....           | 18 |

# 1. Pin Out

## 1.1 GS1574A Pin Assignment

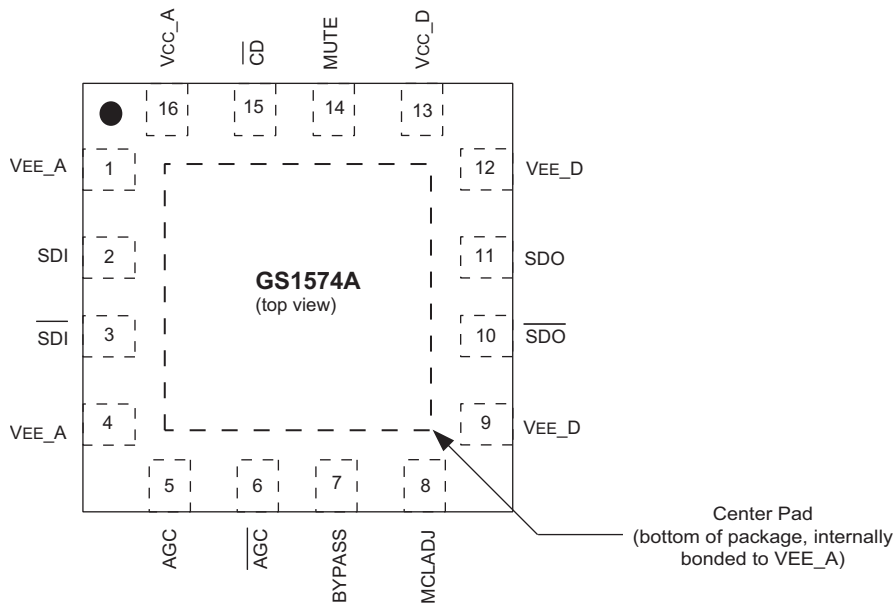


Figure 1-1: 16-Pin QFN

## 1.2 GS1574A Pin Descriptions

Table 1-1: GS1574A Pin Descriptions

| Pin Number | Name                         | Timing          | Type  | Description  |
|------------|------------------------------|-----------------|-------|--|
| 1, 4       | VEE_A                        | Analog          | Power | Most negative power supply for analog circuitry. Connect to GND.   |
| 2, 3       | SDI, $\overline{\text{SDI}}$ | Analog          | Input | Serial digital differential input.   |
| 5, 6       | AGC, $\overline{\text{AGC}}$ | Analog          | –     | External AGC capacitor. Connect pin 5 and pin 6 together as shown in the <a href="#">Typical Application Circuit on page 15</a> .  |
| 7          | BYPASS                       | Not Synchronous | Input | Forces the Equalizing and DC RESTORE stages into bypass mode when HIGH. No equalization occurs in this mode.   |
| 8          | MCLADJ                       | Analog          | Input | Maximum cable length adjust. Adjusts the approximate maximum amount of cable to be equalized (from 0m to the maximum cable length). The output is muted (latched to the last state) when the maximum cable length is achieved. NOTE: MCLADJ is only recommended for data rates up to 360Mb/s. For data rates above this, MCLADJ should be left floating. |

**Table 1-1: GS1574A Pin Descriptions (Continued)**

| Pin Number | Name                   | Timing          | Type   | Description  |
|------------|------------------------|-----------------|--------|--|
| 9          | VEE_D                  | Analog          | Power  | Most negative power supply for the digital circuitry and output buffer. Connect to GND.  |
| 10, 11     | $\overline{SDO}$ , SDO | Analog          | Output | Equalized serial digital differential output.  |
| 12         | VEE_D                  | Analog          | Power  | Most negative power supply for the digital circuitry and output buffer. Connect to GND.  |
| 13         | VCC_D                  | Analog          | Power  | Most positive power supply for the digital I/O pins of the device. Connect to +3.3V DC.  |
| 14         | MUTE                   | Not Synchronous | Input  | CONTROL SIGNAL INPUT<br>levels are LVCMOS/LVTTL compatible. (3.3V Tolerant)<br>When the MUTE pin is set HIGH by the application interface, the serial digital output of the device will be forced to a steady state.<br>When the MUTE pin is set LOW, the serial digital output of the device will be active.<br>NOTE: This pin may be connected directly to the $\overline{CD}$ pin to allow mute on loss of carrier. |
| 15         | $\overline{CD}$        | Not Synchronous | Output | STATUS SIGNAL OUTPUT<br>Signal levels are LVCMOS/LVTTL compatible.<br>Indicates the presence of a good input signal.<br>When the $\overline{CD}$ pin is LOW, a good input signal has been detected.<br>When this pin is HIGH, the input signal is invalid.<br>This pin will indicate loss of carrier for data rates > 19Mb/s.  |
| 16         | VCC_A                  | Analog          | Power  | Most positive power supply for the analog circuitry of the device. Connect to +3.3V DC.  |
| -          | Center Pad             | -               | Power  | Internally bonded to VEE_A.  |

## 2. Electrical Characteristics

### 2.1 Absolute Maximum Ratings

Table 2-1: Absolute Maximum Ratings

| Parameter                       | Value                           |
|---------------------------------|---------------------------------|
| Supply Voltage                  | -0.5V to +3.6 V <sub>DC</sub>   |
| Input ESD Voltage               | 2kV                             |
| Storage Temperature Range       | -50°C < T <sub>s</sub> < 125°C  |
| Input Voltage Range (any input) | -0.3 to (V <sub>CC</sub> +0.3)V |
| Operating Temperature Range     | 0°C to 70°C                     |
| Solder Reflow Temperature       | 260°C                           |

### 2.2 DC Electrical Characteristics

Table 2-2: DC Electrical Characteristics

V<sub>CC</sub> = 3.3V ±5%, T<sub>A</sub> = 0°C to 70°C, unless otherwise shown

| Parameter                          | Symbol              | Conditions                | Min   | Typ                                     | Max   | Units | Notes |
|------------------------------------|---------------------|---------------------------|-------|---|-------|-------|-------|
| Supply Voltage                     | V <sub>CC</sub>     | –                         | 3.135 | 3.3                                     | 3.465 | V     | ±5%   |
| Power Consumption                  | P <sub>D</sub>      | T <sub>A</sub> = 25°C     | –     | 215                                     | –     | mW    | –     |
|                                    |                     | –                         | –     | –                                       | 343   | mW    | –     |
| Supply Current                     | I <sub>s</sub>      | T <sub>A</sub> = 25°C     | –     | 65                                      | –     | mA    | –     |
| Output Common Mode Voltage         | V <sub>CMOUT</sub>  | T <sub>A</sub> = 25°C     | –     | V <sub>CC</sub> - ΔV <sub>SDBO</sub> /2 | –     | V     | –     |
| Input Common Mode Voltage          | V <sub>CMIN</sub>   | T <sub>A</sub> = 25°C     | –     | 1.75                                    | –     | V     | –     |
| MCLADJ DC Voltage (to mute signal) | –                   | 0m, T <sub>A</sub> = 25°C | –     | 1.3                                     | –     | V     | –     |
| MCLADJ Range                       | –                   | T <sub>A</sub> = 25°C     | –     | 0.5                                     | –     | V     | –     |
| CD Output Voltage                  | V <sub>CD(OH)</sub> | Carrier not present       | 2.4   | –                                       | –     | V     | –     |
|                                    | V <sub>CD(OL)</sub> | Carrier present           | –     | –                                       | 0.4   | V     | –     |

**Table 2-2: DC Electrical Characteristics (Continued)**

$V_{CC} = 3.3V \pm 5\%$ ,  $T_A = 0^\circ C$  to  $70^\circ C$ , unless otherwise shown

| Parameter  | Symbol     | Conditions      | Min | Typ | Max | Units | Notes |
|--|------------|-----------------|-----|-----|-----|-------|-------|
| Mute Input Voltage Required to Force Outputs to Mute | $V_{Mute}$ | Min to Mute     | 2.0 | –   | –   | V     | –     |
| Mute Input Voltage Required to Force Outputs Active  | $V_{Mute}$ | Max to Activate | –   | –   | 0.8 | V     | –     |

## 2.3 AC Electrical Characteristics

**Table 2-3: AC Electrical Characteristics**

$V_{CC} = 3.3V \pm 5\%$ ,  $T_A = 0^\circ C$  to  $70^\circ C$ , unless otherwise shown

| Parameter  | Symbol           | Conditions   | Min | Typ  | Max  | Units             | Notes |
|--|------------------|--|-----|------|------|-------------------|-------|
| Serial input data rate                                 | $DR_{SDO}$       | –  | 143 | –    | 1485 | Mb/s              | –     |
| Input Voltage Swing                                    | $\Delta V_{SDI}$ | $T_A = 25^\circ C$ , differential                        | 720 | 800  | 950  | mV <sub>p-p</sub> | 1     |
| Output Voltage Swing                                   | $\Delta V_{SDO}$ | 100 $\Omega$ load, $T_A = 25^\circ C$ , differential     | –   | 750  | –    | mV <sub>p-p</sub> | –     |
| Output Jitter for Various Cable Lengths and Data Rates | –                | 270Mb/s<br>Belden 1694A: 0-350m<br>Belden 8281: 0-280m   | –   | 0.2  | –    | UI                | 2,5   |
|  | –                | 1.485Gb/s<br>Belden 1694A: 0-140m<br>Belden 8281: 0-100m | –   | 0.25 | –    | UI                | 2,5   |
|  | –                | 1.485Gb/s<br>Belden 1694A: 140-200m                      | –   | 0.3  | –    | UI                | 4,5   |
| Output Rise/Fall time                                  | –                | 20% - 80%  | –   | 80   | 220  | ps                | –     |
| Mismatch in rise/fall time                             | –                | –  | –   | –    | 30   | ps                | –     |
| Duty cycle distortion                                  | –                | –  | –   | –    | 30   | ps                | –     |
| Overshoot  | –                | –  | –   | –    | 10   | %                 | –     |
| Input Return Loss                                      | –                | –  | 15  | –    | –    | dB                | 3     |
| Input Resistance                                       | –                | single ended   | –   | 1.64 | –    | k $\Omega$        | –     |
| Input Capacitance                                      | –                | single ended   | –   | 1    | –    | pF                | –     |

**Table 2-3: AC Electrical Characteristics (Continued)** $V_{CC} = 3.3V \pm 5\%$ ,  $T_A = 0^{\circ}C$  to  $70^{\circ}C$ , unless otherwise shown

| Parameter         | Symbol | Conditions   | Min | Typ | Max | Units    | Notes |
|-------------------|--------|--------------|-----|-----|-----|----------|-------|
| Output Resistance | –      | single ended | –   | 50  | –   | $\Omega$ | –     |

**NOTES:**

1. 0m cable length.
2. All parts production tested. In order to guarantee jitter over the full range of specification ( $V_{CC} = 3.3V \pm 5\%$ ,  $T_A = 0^{\circ}C$  to  $70^{\circ}C$ , and 720-880mV launch swing from the SDI cable driver) the recommended applications circuit must be used.
3. Tested on CB1574A board from 5MHz to 2GHz.
4. Based on characterization data using the recommended applications circuit, at  $V_{CC} = 3.3V$ ,  $T_A = 25^{\circ}C$ , and 800mV launch swing from the SDI cable driver.
5. Equalizer Pathological test signal is used.



### 3. Solder Reflow Profiles

The device is manufactured with Matte-Sn terminations and is compatible with both standard eutectic and Pb-free solder reflow profiles. MSL qualification was performed using the maximum Pb-free reflow profile shown in Figure 3-1. The recommended standard Pb reflow profile is shown in Figure 3-2.

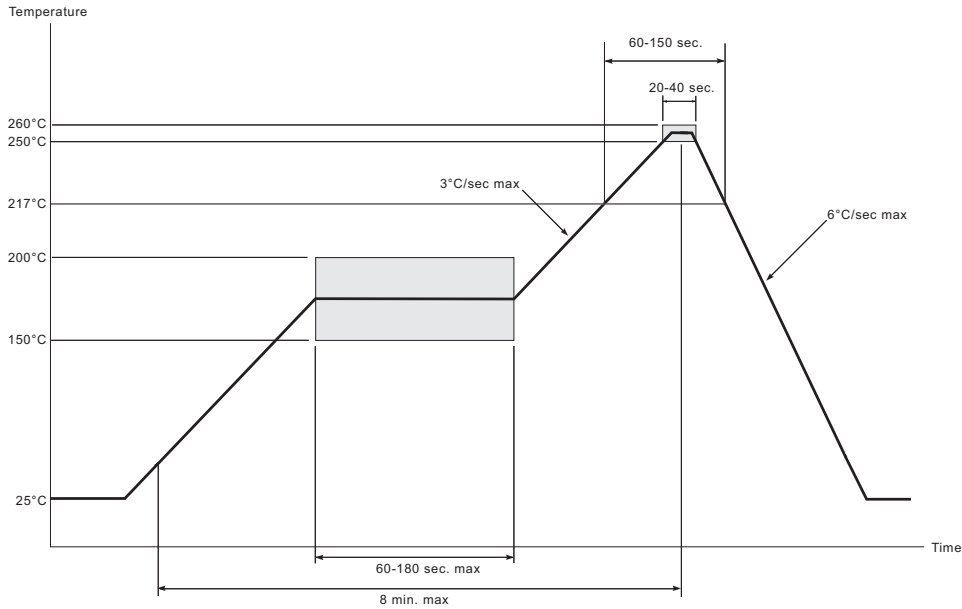


Figure 3-1: Maximum Pb-free Solder Reflow Profile (Preferred)

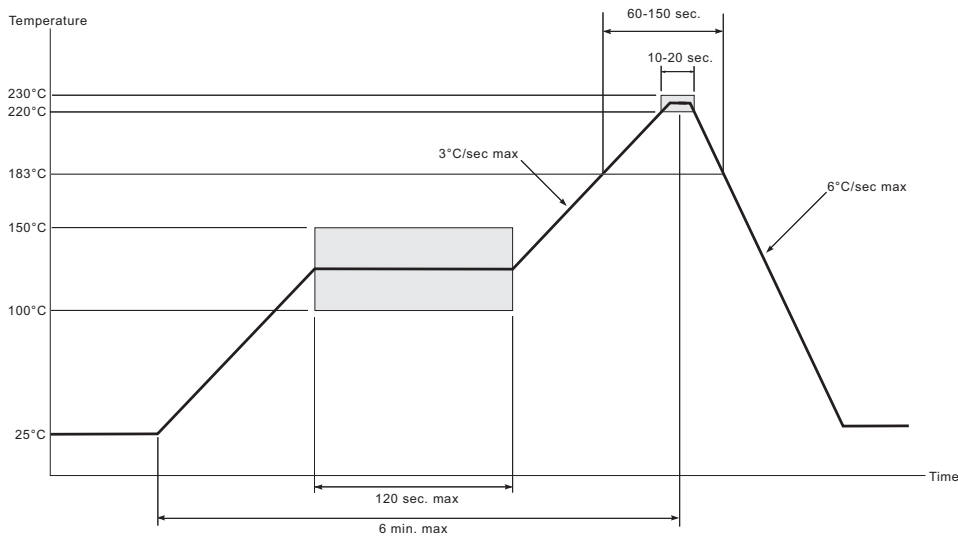


Figure 3-2: Standard Pb Solder Reflow Profile

## 4. Test Circuit

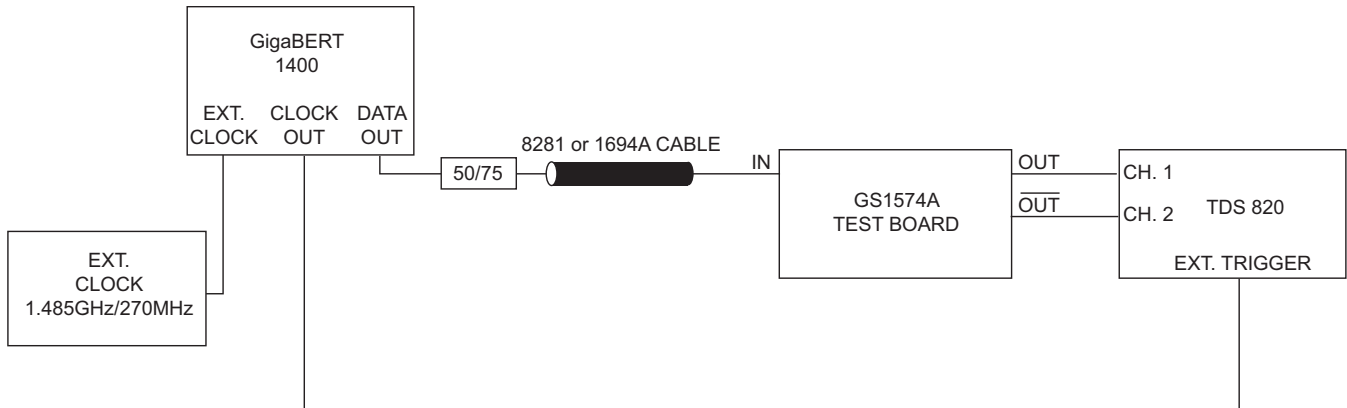


Figure 4-1: Test Circuit

# 5. Input / Output Circuits

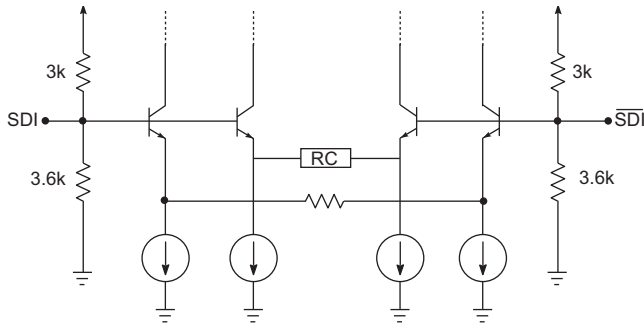


Figure 5-1: Input Equivalent Circuit

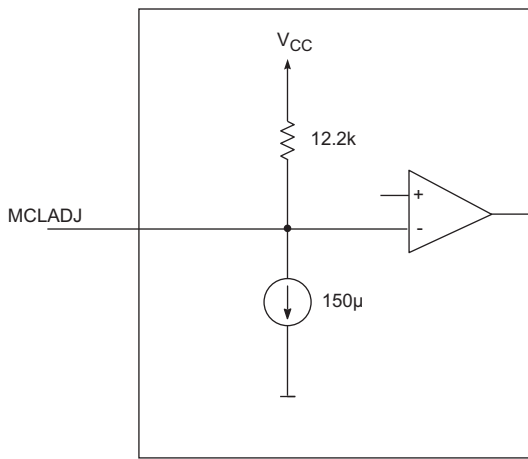


Figure 5-2: MCLADJ Equivalent Circuit

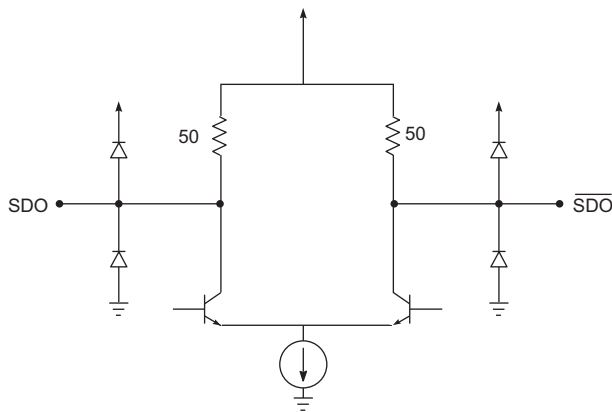


Figure 5-3: Output Circuit

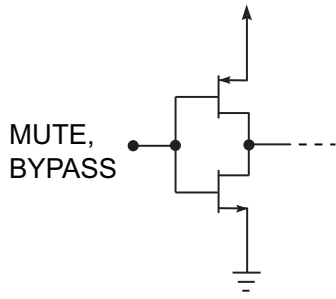


Figure 5-4: MUTE and BYPASS Circuits

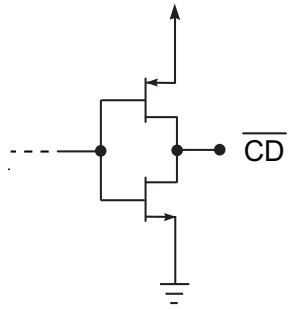


Figure 5-5:  $\overline{CD}$  Circuit

## 6. Detailed Description

The GS1574A is a high speed BiCMOS IC designed to equalize serial digital signals.

The GS1574A can equalize both HD and SD serial digital signals, and will typically equalize 200m of Belden 1694A cable at 1.485Gb/s and 350m at 270Mb/s.

The GS1574A is powered from a single +3.3V power supply and consumes approximately 215mW of power.

### 6.1 Serial Digital Inputs

The serial data signal may be connected to the input pins (SDI/ $\overline{\text{SDI}}$ ) in either a differential or single ended configuration. AC coupling of the inputs is recommended, as the SDI and  $\overline{\text{SDI}}$  inputs are internally biased at approximately 1.8V.

### 6.2 Cable Equalization

The input signal passes through a variable gain equalizing stage whose frequency response closely matches the inverse of the cable loss characteristic. In addition, the variation of the frequency response with control voltage imitates the variation of the inverse cable loss characteristic with cable length.

The edge energy of the equalized signal is monitored by a detector circuit which produces an error signal corresponding to the difference between the desired edge energy and the actual edge energy. This error signal is integrated by both an internal and an external AGC filter capacitor providing a steady control voltage for the gain stage. As the frequency response of the gain stage is automatically varied by the application of negative feedback, the edge energy of the equalized signal is kept at a constant level which is representative of the original edge energy at the transmitter. The equalized signal is also DC restored, effectively restoring the logic threshold of the equalized signal to its correct level independent of shifts due to AC coupling. The digital output signals have a nominal voltage of  $750\text{mV}_{\text{pp}}$  differential, or  $375\text{mV}_{\text{pp}}$  single ended when terminated with  $50\Omega$  as shown in Figure 6-1.

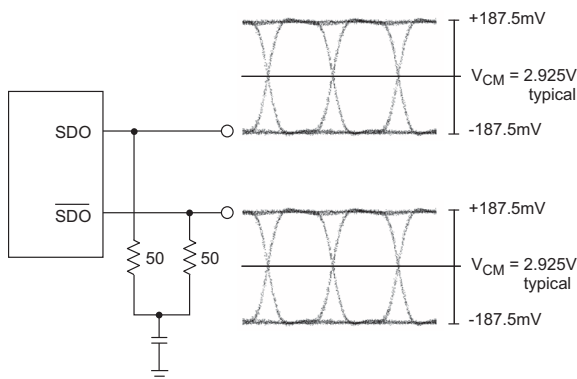


Figure 6-1: Typical Output Voltage Levels

## 6.3 Programmable Mute Output

For SMPTE 259M inputs, the GS1574A incorporates a programmable threshold output mute (MCLADJ).

In applications where there are multiple input channels using the GS1574A, it is advantageous to have a programmable mute output to avoid signal crosstalk.

The output of the GS1574A can be muted when the input signal decreases below a certain input level. This threshold is determined using the input voltage applied to the MCLADJ pin. The MCLADJ pin may be left unconnected for applications where output muting is not required.

This feature has been designed for use in applications such as routers where signal crosstalk and circuit noise cause the equalizer to output erroneous data when no input signal is present. The use of a Carrier Detect function with a fixed internal reference does not solve this problem since the signal to noise ratio on the circuit board could be significantly less than the default signal detection level set by the on chip reference.

NOTE: MCLADJ is only recommended for data rates up to 360Mb/s. For data rates above this, MCLADJ should be left floating.

## 6.4 Mute and Carrier Detect

The GS1574A includes a MUTE input pin that allows the application interface to mute the serial digital output at any time. Set the MUTE pin HIGH to mute SDO and  $\overline{\text{SDO}}$ . In this case, the outputs will mute regardless of the setting of the BYPASS pin.

A Carrier Detect output pin ( $\overline{\text{CD}}$ ) indicates the presence of a valid signal at the input of the GS1574A. When  $\overline{\text{CD}}$  is LOW, the device has detected a valid input on SDI and  $\overline{\text{SDI}}$ . When  $\overline{\text{CD}}$  is HIGH, the device has not detected a valid input.

NOTE:  $\overline{\text{CD}}$  will only detect loss of carrier for data rates greater than 19Mb/s. The  $\overline{\text{CD}}$  output pin may be connected directly to the MUTE input pin to enable automatic muting of the GS1574A when no valid input signal has been detected.

NOTE: If the maximum cable length is exceeded and the device is not in bypass mode the GS1574A will not assert the  $\overline{\text{CD}}$  pin even if a carrier is present.

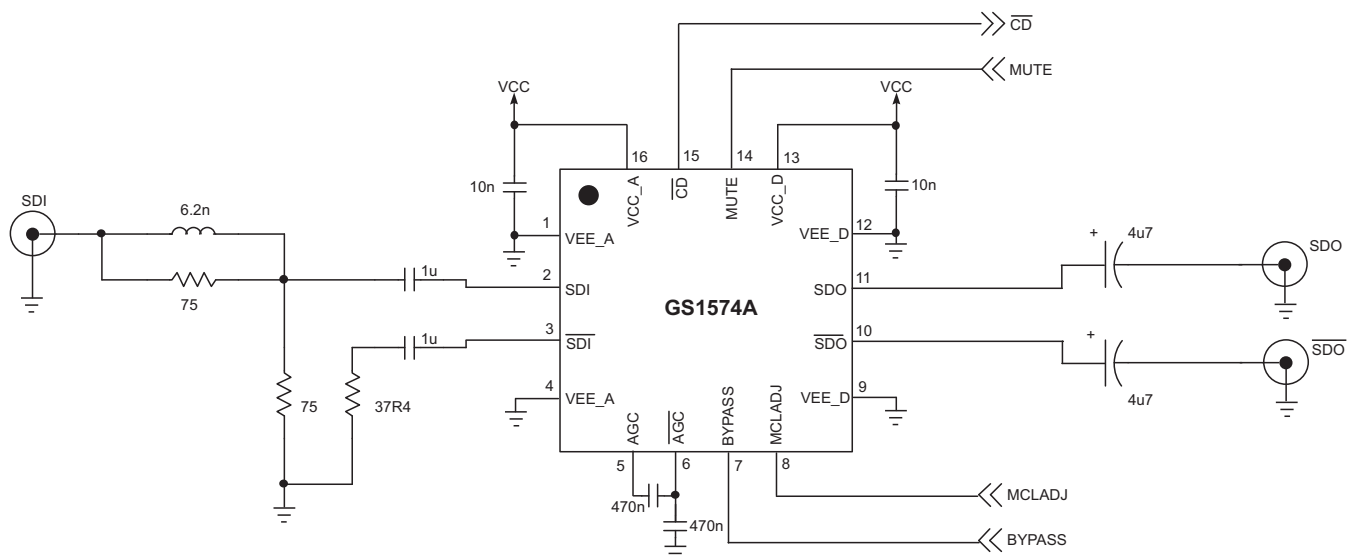
# 7. Application Information

## 7.1 PCB Layout

Special attention must be paid to component layout when designing serial digital interfaces for HDTV. An FR-4 dielectric can be used, however, controlled impedance transmission lines are required for PCB traces longer than approximately 1cm. Note the following PCB artwork features used to optimize performance:

- PCB trace width for HD rate signals is closely matched to SMT component width to minimize reflections due to change in trace impedance.
- The PCB ground plane is removed under the GS1574A input components to minimize parasitic capacitance.
- The PCB ground plane is removed under the GS1574A output components to minimize parasitic capacitance.
- High speed traces are curved to minimize impedance changes.

## 7.2 Typical Application Circuit



NOTE: All resistors in Ohms, capacitors in Farads, and inductors in Henrys, unless otherwise noted.

Figure 7-1: GS1574A Typical Application Circuit

# 8. Package and Ordering Information

## 8.1 Package Dimensions

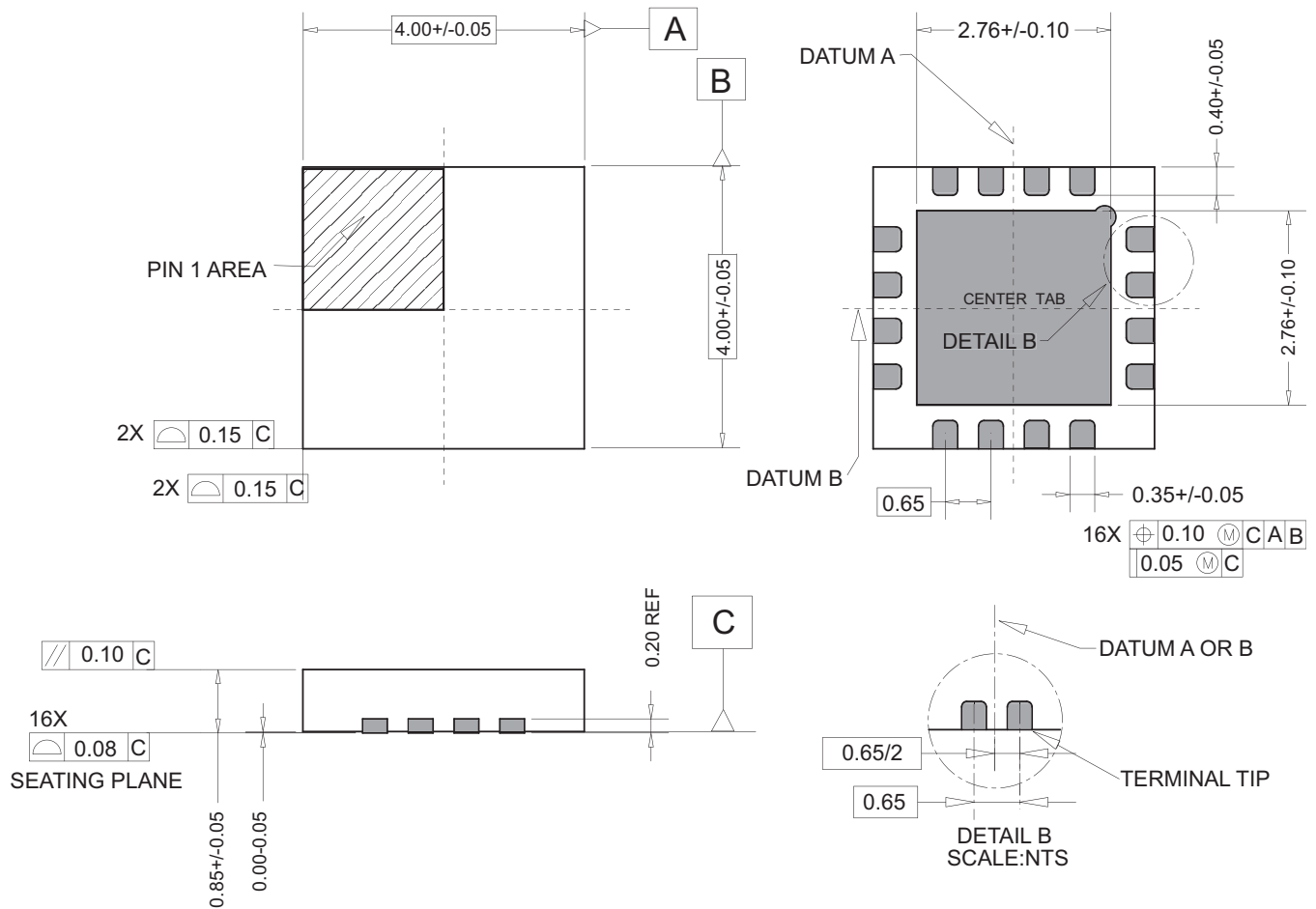
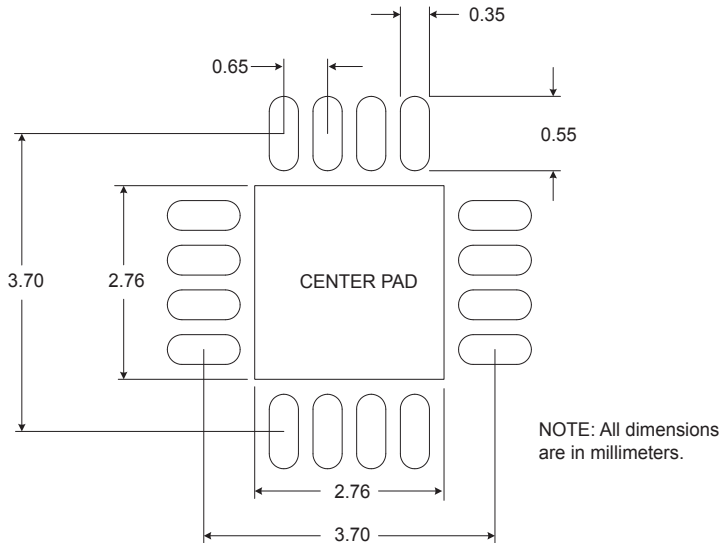


Figure 8-1: Package Dimensions



## 8.2 Recommended PCB Footprint



The Center Pad should be connected to the most negative power supply plane for analog circuitry in the device (VEE\_A) by a minimum of 5 vias.

Note: Suggested dimensions only. Final dimensions should conform to customer design rules and process optimizations.

## 8.3 Packaging Data

Table 8-1: Packaging Data

| Parameter  | Value                |
|--|----------------------|
| Package Type   | 4mm x 4mm 16-pin QFN |
| Package Drawing Reference  | JEDEC M0220          |
| Moisture Sensitivity Level   | 3                    |
| Junction to Case Thermal Resistance, $\theta_{j-c}$                  | 31.0°C/W             |
| Junction to Air Thermal Resistance, $\theta_{j-a}$ (at zero airflow) | 43.8°C/W             |
| Psi  | 11.0°C/W             |
| Pb-free and RoHS compliant   | Yes                  |

## 8.4 Ordering Information

Table 8-2: GS1574A Ordering Information

| Part Number | Package    | Temperature Range |
|-------------|------------|-------------------|
| GS1574ACNE3 | 16-pin QFN | 0°C to 70°C       |

The control register contains an 8 bit digital word that controls the operating mode of the device.

### DOCUMENT IDENTIFICATION DATA SHEET

The product is in production. Gennum reserves the right to make changes to the product at any time without notice to improve reliability, function or design, in order to provide the best product possible.

### CAUTION

ELECTROSTATIC SENSITIVE DEVICES  
DO NOT OPEN PACKAGES OR HANDLE EXCEPT AT A  
STATIC-FREE WORKSTATION



### GENNUM CORPORATE HEADQUARTERS

4281 Harvester Road, Burlington, Ontario L7L 5M4 Canada

Phone: +1 (905) 632-2996

E-mail: [corporate@gennum.com](mailto:corporate@gennum.com)

Fax: +1 (905) 632-2055

[www.gennum.com](http://www.gennum.com)

### OTTAWA

232 Herzberg Road, Suite 101  
Kanata, Ontario K2K 2A1  
Canada

Phone: +1 (613) 270-0458

Fax: +1 (613) 270-0429

### CALGARY

3553 - 31st St. N.W., Suite 210  
Calgary, Alberta T2L 2K7  
Canada

Phone: +1 (403) 284-2672

### UNITED KINGDOM

North Building, Walden Court  
Parsonage Lane,  
Bishop's Stortford Hertfordshire, CM23 5DB  
United Kingdom

Phone: +44 1279 714170

Fax: +44 1279 714171

### INDIA

#208(A), Nirmala Plaza,  
Airport Road, Forest Park Square  
Bhubaneswar 751009  
India

Phone: +91 (674) 653-4815

Fax: +91 (674) 259-5733

### SNOWBUSH IP - A DIVISION OF GENNUM

439 University Ave. Suite 1700  
Toronto, Ontario M5G 1Y8  
Canada

Phone: +1 (416) 925-5643

Fax: +1 (416) 925-0581

E-mail: [sales@snowbush.com](mailto:sales@snowbush.com)

Web Site: <http://www.snowbush.com>

### MEXICO

288-A Paseo de Maravillas  
Jesus Ma., Aguascalientes  
Mexico 20900

Phone: +1 (416) 848-0328

### JAPAN KK

Shinjuku Green Tower Building 27F  
6-14-1, Nishi Shinjuku  
Shinjuku-ku, Tokyo, 160-0023  
Japan

Phone: +81 (03) 3349-5501

Fax: +81 (03) 3349-5505

E-mail: [gennum-japan@gennum.com](mailto:gennum-japan@gennum.com)

Web Site: <http://www.gennum.co.jp>

### TAIWAN

6F-4, No.51, Sec.2, Keelung Rd.  
Sinyi District, Taipei City 11502  
Taiwan R.O.C.

Phone: (886) 2-8732-8879

Fax: (886) 2-8732-8870

E-mail: [gennum-taiwan@gennum.com](mailto:gennum-taiwan@gennum.com)

### GERMANY

Hainbuchenstraße 2  
80935 Muenchen (Munich), Germany

Phone: +49-89-35831696

Fax: +49-89-35804653

E-mail: [gennum-germany@gennum.com](mailto:gennum-germany@gennum.com)

### NORTH AMERICA WESTERN REGION

691 South Milpitas Blvd., Suite #200  
Milpitas, CA 95035  
United States

Phone: +1 (408) 934-1301

Fax: +1 (408) 934-1029

E-mail: [naw\\_sales@gennum.com](mailto:naw_sales@gennum.com)

### NORTH AMERICA EASTERN REGION

4281 Harvester Road  
Burlington, Ontario L7L 5M4  
Canada

Phone: +1 (905) 632-2996

Fax: +1 (905) 632-2055

E-mail: [nae\\_sales@gennum.com](mailto:nae_sales@gennum.com)

### KOREA

8F Jinnex Lakeview Bldg.  
65-2, Bangidong, Songpago  
Seoul, Korea 138-828

Phone: +82-2-414-2991

Fax: +82-2-414-2998

E-mail: [gennum-korea@gennum.com](mailto:gennum-korea@gennum.com)

Gennum Corporation assumes no liability for any errors or omissions in this document, or for the use of the circuits or devices described herein. The sale of the circuit or device described herein does not imply any patent license, and Gennum makes no representation that the circuit or device is free from patent infringement.

All other trademarks mentioned are the properties of their respective owners.

GENNUM and the Gennum logo are registered trademarks of Gennum Corporation.

© Copyright 2004 Gennum Corporation. All rights reserved.

[www.gennum.com](http://www.gennum.com)