

# Low G Micromachined Accelerometer

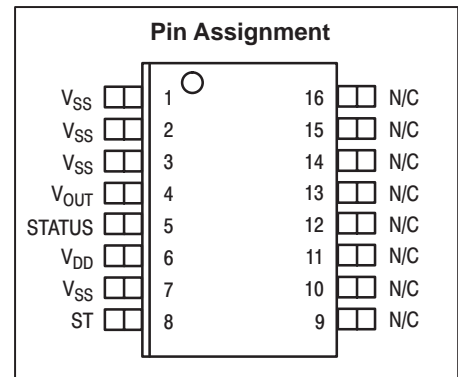
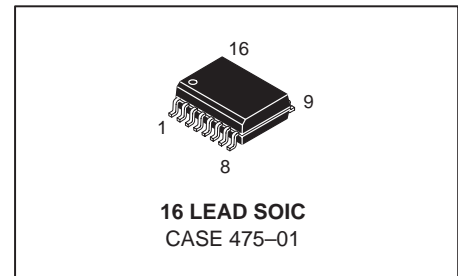
The MMA series of silicon capacitive, micromachined accelerometers features signal conditioning, a 2-pole low pass filter and temperature compensation. Zero-g offset full scale span and filter cut-off are factory set and require no external devices. A full system self-test capability verifies system functionality.

**Features**

- Integral Signal Conditioning
- Linear Output
- 2nd Order Bessel Filter
- Calibrated Self-test
- EPROM Parity Check Status
- Transducer Hermetically Sealed at Wafer Level for Superior Reliability
- Robust Design, High Shock Survivability

**Typical Applications**

- Vibration Monitoring and Recording
- Appliance Control
- Mechanical Bearing Monitoring
- Computer Hard Drive Protection
- Computer Mouse and Joysticks
- Virtual Reality Input Devices
- Sports Diagnostic Devices and Systems



**ORDERING INFORMATION**

| Device   | Temperature Range | Case No.    | Package |
|----------|-------------------|-------------|---------|
| MMA1250D | -40 to +105°C     | Case 475-01 | SOIC-16 |

**SIMPLIFIED ACCELEROMETER FUNCTIONAL BLOCK DIAGRAM**

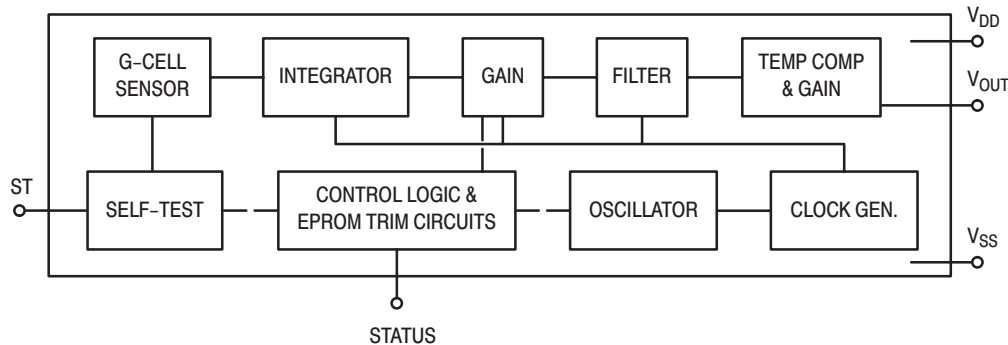


Figure 1. Simplified Accelerometer Functional Block Diagram

REV 0

Freescale Semiconductor, Inc.

# Freescale Semiconductor, Inc.

**MAXIMUM RATINGS** (Maximum ratings are the limits to which the device can be exposed without causing permanent damage.)

| Rating                            | Symbol     | Value        | Unit |
|-----------------------------------|------------|--------------|------|
| Powered Acceleration (all axes)   | $g_{pd}$   | 1500         | g    |
| Unpowered Acceleration (all axes) | $g_{upd}$  | 2000         | g    |
| Supply Voltage                    | $V_{DD}$   | -0.3 to +7.0 | V    |
| Drop Test <sup>(1)</sup>          | $H_{drop}$ | 1.2          | m    |
| Storage Temperature Range         | $T_{stg}$  | -40 to +125  | °C   |

NOTES:

1. Dropped onto concrete surface from any axis.

## ELECTRO STATIC DISCHARGE (ESD)

**WARNING: This device is sensitive to electrostatic discharge.**

Although the Motorola accelerometers contain internal 2kV ESD protection circuitry, extra precaution must be taken by the user to protect the chip from ESD. A charge of over

2000 volts can accumulate on the human body or associated test equipment. A charge of this magnitude can alter the performance or cause failure of the chip. When handling the accelerometer, proper ESD precautions should be followed to avoid exposing the device to discharges which may be detrimental to its performance.

## OPERATING CHARACTERISTICS

(Unless otherwise noted:  $-40^{\circ}\text{C} \leq T_A \leq +105^{\circ}\text{C}$ ,  $4.75 \leq V_{DD} \leq 5.25$ , Acceleration = 0g, Loaded output<sup>(1)</sup>)

| Characteristic  | Symbol            | Min             | Typ  | Max             | Unit                           |
|---|-------------------|-----------------|------|-----------------|--------------------------------|
| Operating Range <sup>(2)</sup>  |                   |                 |      |                 |                                |
| Supply Voltage <sup>(3)</sup>   | $V_{DD}$          | 4.75            | 5.00 | 5.25            | V                              |
| Supply Current  | $I_{DD}$          | 1.1             | 2.1  | 3.0             | mA                             |
| Operating Temperature Range   | $T_A$             | -40             | —    | +105            | $^{\circ}\text{C}$             |
| Acceleration Range  | gFS               | —               | 5    | —               | g                              |
| Output Signal   |                   |                 |      |                 |                                |
| Zero g ( $T_A = 25^{\circ}\text{C}$ , $V_{DD} = 5.0\text{ V}$ ) <sup>(4)</sup>      | $V_{OFF}$         | 2.25            | 2.5  | 2.75            | V                              |
| Zero g ( $V_{DD} = 5.0\text{ V}$ )  | $V_{OFF}$         | 2.0             | 2.5  | 3.0             | V                              |
| Sensitivity ( $T_A = 25^{\circ}\text{C}$ , $V_{DD} = 5.0\text{ V}$ ) <sup>(5)</sup> | S                 | 380             | 400  | 420             | mV/g                           |
| Sensitivity ( $V_{DD} = 5.0\text{ V}$ )   | S                 | 370             | 400  | 430.1           | mV/g                           |
| Bandwidth Response  | $f_{-3dB}$        | 42.5            | 50   | 57.5            | Hz                             |
| Nonlinearity  | NL <sub>OUT</sub> | -1.0            | —    | +1.0            | % FSO                          |
| Noise   |                   |                 |      |                 |                                |
| RMS (0.1 Hz – 1.0 kHz)  | $n_{RMS}$         | —               | 2.0  | 4.0             | mVrms                          |
| Spectral Density (RMS, 0.1 Hz – 1.0 kHz) <sup>(6)</sup>                             | $n_{SD}$          | —               | 700  | —               | $\mu\text{g}/\sqrt{\text{Hz}}$ |
| Self-Test   |                   |                 |      |                 |                                |
| Output Response ( $V_{DD} = 5.0\text{ V}$ )   | $\Delta V_{ST}$   | 1.0             | 1.25 | 1.5             | V                              |
| Input Low   | $V_{IL}$          | $V_{SS}$        | —    | $0.3 V_{DD}$    | V                              |
| Input High  | $V_{IH}$          | $0.7 V_{DD}$    | —    | $V_{DD}$        | V                              |
| Input Loading <sup>(7)</sup>  | $I_{IN}$          | -50             | -125 | -300            | $\mu\text{A}$                  |
| Response Time <sup>(8)</sup>  | $t_{ST}$          | —               | 10   | 25              | ms                             |
| Status <sup>(12)(13)</sup>  |                   |                 |      |                 |                                |
| Output Low ( $I_{load} = 100\ \mu\text{A}$ )  | $V_{OL}$          | —               | —    | 0.4             | V                              |
| Output High ( $I_{load} = -100\ \mu\text{A}$ )                                      | $V_{OH}$          | $V_{DD} - 0.8$  | —    | —               | V                              |
| Output Stage Performance  |                   |                 |      |                 |                                |
| Electrical Saturation Recovery Time <sup>(9)</sup>                                  | $t_{DELAY}$       | —               | —    | 2.0             | ms                             |
| Full Scale Output Range ( $I_{OUT} = -200\ \mu\text{A}$ )                           | $V_{FSO}$         | $V_{SS} + 0.25$ | —    | $V_{DD} - 0.25$ | V                              |
| Capacitive Load Drive <sup>(10)</sup>   | $C_L$             | —               | —    | 100             | pF                             |
| Output Impedance  | $Z_O$             | —               | 50   | —               | $\Omega$                       |
| Mechanical Characteristics  |                   |                 |      |                 |                                |
| Transverse Sensitivity <sup>(11)</sup>  | $V_{XZ,YZ}$       | —               | —    | 5.0             | % FSO                          |

### NOTES:

- For a loaded output the measurements are observed after an RC filter consisting of a 1 k $\Omega$  resistor and a 0.1  $\mu\text{F}$  capacitor to ground.
- These limits define the range of operation for which the part will meet specification.
- Within the supply range of 4.75 and 5.25 volts, the device operates as a fully calibrated linear accelerometer. Beyond these supply limits the device may operate as a linear device but is not guaranteed to be in calibration.
- The device can measure both + and - acceleration. With no input acceleration the output is at midsupply. For positive acceleration the output will increase above  $V_{DD}/2$  and for negative acceleration the output will decrease below  $V_{DD}/2$ .
- Sensitivity limits apply to 0 Hz acceleration.
- At clock frequency  $\cong 35\text{ kHz}$ .
- The digital input pin has an internal pull-down current source to prevent inadvertent self test initiation due to external board level leakages.
- Time for the output to reach 90% of its final value after a self-test is initiated.
- Time for amplifiers to recover after an acceleration signal causing them to saturate.
- Preserves phase margin (60 $^{\circ}$ ) to guarantee output amplifier stability.
- A measure of the device's ability to reject an acceleration applied 90 $^{\circ}$  from the true axis of sensitivity.
- The Status pin output is not valid following power-up until at least one rising edge has been applied to the self-test pin. The Status pin is high whenever the self-test input is high.
- The Status pin output latches high if the EPROM parity changes to odd. The Status pin can be reset by a rising edge on self-test, unless a fault condition continues to exist.

## PRINCIPLE OF OPERATION

The Motorola accelerometer is a surface-micromachined integrated-circuit accelerometer.

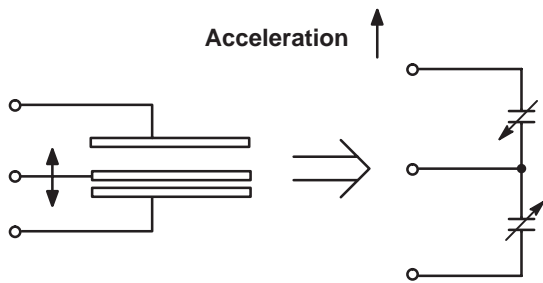
The device consists of a surface micromachined capacitive sensing cell (g-cell) and a CMOS signal conditioning ASIC contained in a single integrated circuit package. The sensing element is sealed hermetically at the wafer level using a bulk micromachined "cap" wafer.

The g-cell is a mechanical structure formed from semiconductor materials (polysilicon) using semiconductor processes (masking and etching). It can be modeled as two stationary plates with a moveable plate in-between. The center plate can be deflected from its rest position by subjecting the system to an acceleration (Figure 2).

When the center plate deflects, the distance from it to one fixed plate will increase by the same amount that the distance to the other plate decreases. The change in distance is a measure of acceleration.

The g-cell plates form two back-to-back capacitors (Figure 3). As the center plate moves with acceleration, the distance between the plates changes and each capacitor's value will change, ( $C = A\epsilon/D$ ). Where A is the area of the plate,  $\epsilon$  is the dielectric constant, and D is the distance between the plates.

The CMOS ASIC uses switched capacitor techniques to measure the g-cell capacitors and extract the acceleration data from the difference between the two capacitors. The ASIC also signal conditions and filters (switched capacitor) the signal, providing a high level output voltage that is ratio-metric and proportional to acceleration.



**Figure 2. Transducer Physical Model**

**Figure 3. Equivalent Circuit Model**

## SPECIAL FEATURES

### Filtering

The Motorola accelerometers contain an onboard 2-pole switched capacitor filter. A Bessel implementation is used because it provides a maximally flat delay response (linear phase) thus preserving pulse shape integrity. Because the filter is realized using switched capacitor techniques, there is no requirement for external passive components (resistors and capacitors) to set the cut-off frequency.

### Self-Test

The sensor provides a self-test feature that allows the verification of the mechanical and electrical integrity of the accelerometer at any time before or after installation. This feature is critical in applications such as automotive airbag systems where system integrity must be ensured over the life of the vehicle. A fourth "plate" is used in the g-cell as a self-test plate. When the user applies a logic high input to the self-test pin, a calibrated potential is applied across the self-test plate and the moveable plate. The resulting electrostatic force ( $F_e = 1/2 AV^2/d^2$ ) causes the center plate to deflect. The resultant deflection is measured by the accelerometer's control ASIC and a proportional output voltage results. This procedure assures that both the mechanical (g-cell) and electronic sections of the accelerometer are functioning.

### Status

Motorola accelerometers include fault detection circuitry and a fault latch. The Status pin is an output from the fault latch, OR'd with self-test, and is set high whenever the following event occurs:

- Parity of the EPROM bits becomes odd in number.

The fault latch can be reset by a rising edge on the self-test input pin, unless one (or more) of the fault conditions continues to exist.

## BASIC CONNECTIONS

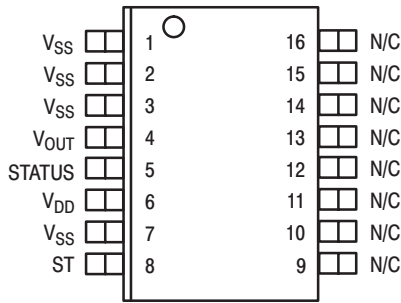


Figure 4. Pinout Description

| Pin No.    | Pin Name         | Description  |
|------------|------------------|--|
| 1 thru 3   | V <sub>SS</sub>  | Redundant connections to the internal V <sub>SS</sub> and may be left unconnected. |
| 4          | V <sub>OUT</sub> | Output voltage of the accelerometer.   |
| 5          | STATUS           | Logic output pin used to indicate fault.   |
| 6          | V <sub>DD</sub>  | The power supply input.  |
| 7          | V <sub>SS</sub>  | The power supply ground.   |
| 8          | ST               | Logic input pin used to initiate self-test.  |
| 9 thru 13  | Trim pins        | Used for factory trim. Leave unconnected.  |
| 14 thru 16 | —                | No internal connection. Leave unconnected.   |

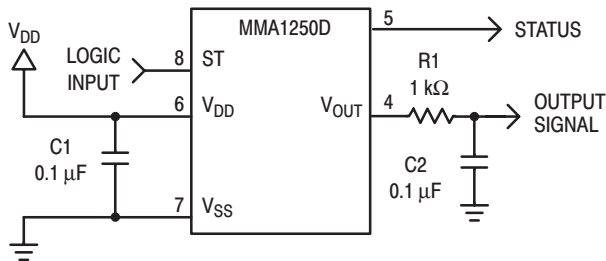


Figure 5. SOIC Accelerometer with Recommended Connection Diagram

## PCB Layout

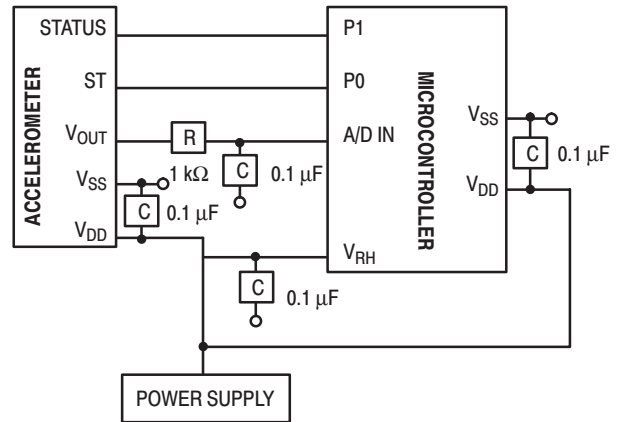


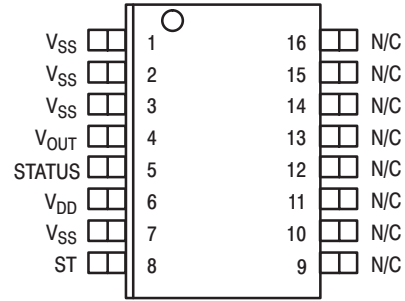
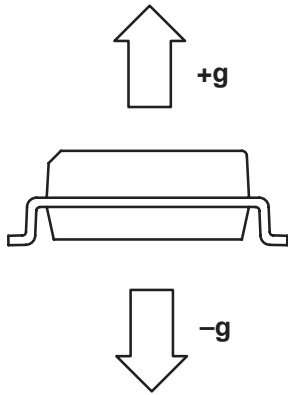
Figure 6. Recommended PCB Layout for Interfacing Accelerometer to Microcontroller

### NOTES:

- Use a 0.1 μF capacitor on V<sub>DD</sub> to decouple the power source.
- Physical coupling distance of the accelerometer to the microcontroller should be minimal.
- Place a ground plane beneath the accelerometer to reduce noise, the ground plane should be attached to all internal V<sub>SS</sub> terminals shown in Figure 4.
- Use an RC filter of 1 kΩ and 0.1 μF on the output of the accelerometer to minimize clock noise (from the switched capacitor filter circuit).
- PCB layout of power and ground should not couple power supply noise.
- Accelerometer and microcontroller should not be a high current path.
- A/D sampling rate and any external power supply switching frequency should be selected such that they do not interfere with the internal accelerometer sampling frequency. This will prevent aliasing errors.

## ACCELERATION SENSING DIRECTIONS

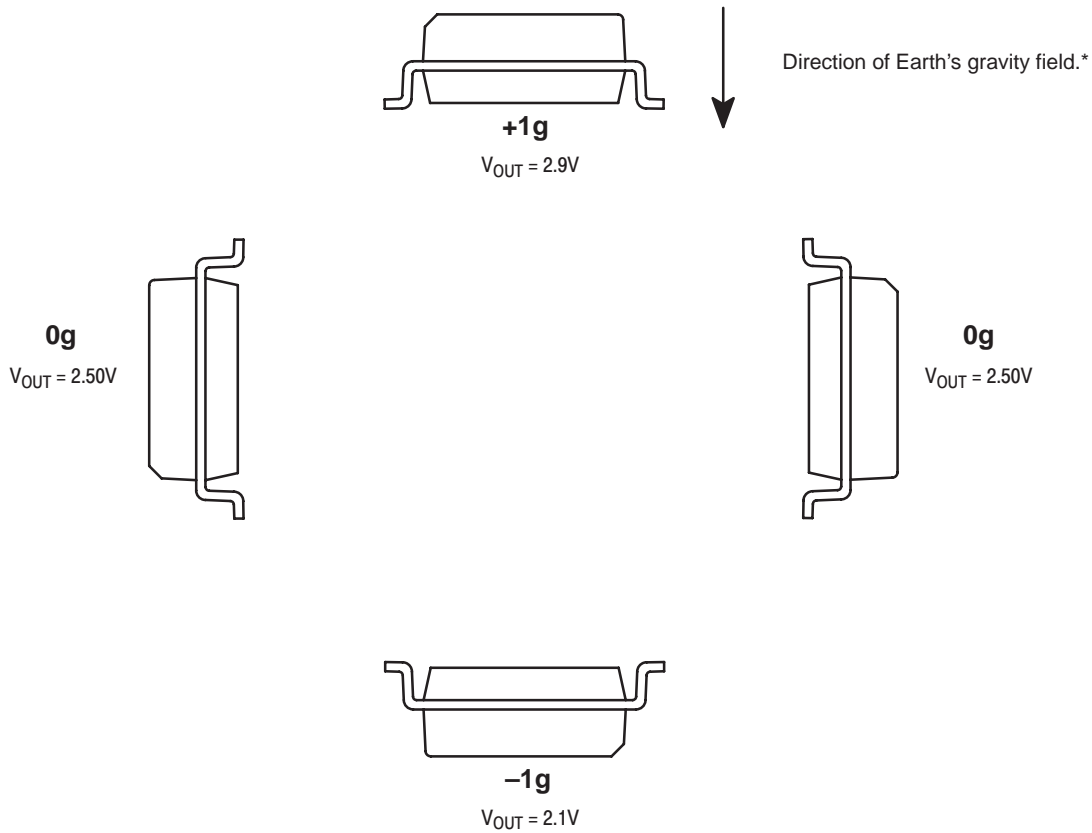
### DYNAMIC ACCELERATION



16-Pin SOIC Package

N/C pins are recommended to be left FLOATING

### STATIC ACCELERATION

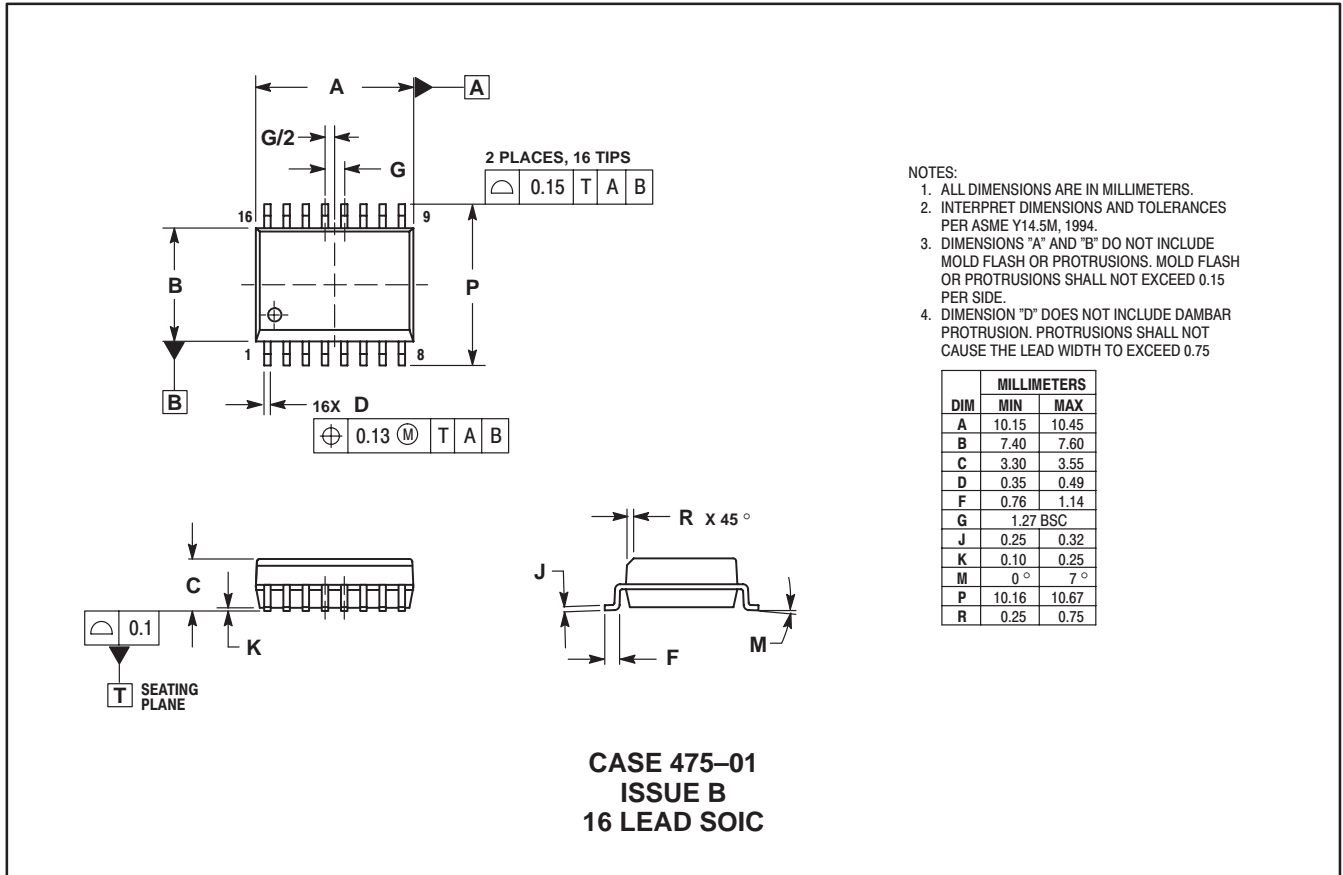


\* When positioned as shown, the Earth's gravity will result in a positive 1g output

# Freescale Semiconductor, Inc.

## PACKAGE DIMENSIONS

Freescale Semiconductor, Inc.



- NOTES:
1. ALL DIMENSIONS ARE IN MILLIMETERS.
  2. INTERPRET DIMENSIONS AND TOLERANCES PER ASME Y14.5M, 1994.
  3. DIMENSIONS "A" AND "B" DO NOT INCLUDE MOLD FLASH OR PROTRUSIONS. MOLD FLASH OR PROTRUSIONS SHALL NOT EXCEED 0.15 PER SIDE.
  4. DIMENSION "D" DOES NOT INCLUDE DAMBAR PROTRUSION. PROTRUSIONS SHALL NOT CAUSE THE LEAD WIDTH TO EXCEED 0.75

Motorola reserves the right to make changes without further notice to any products herein. Motorola makes no warranty, representation or guarantee regarding the suitability of its products for any particular purpose, nor does Motorola assume any liability arising out of the application or use of any product or circuit, and specifically disclaims any and all liability, including without limitation consequential or incidental damages. "Typical" parameters can and do vary in different applications and actual performance may vary over time. All operating parameters, including "Typicals" must be validated for each customer application by customer's technical experts. Motorola does not convey any license under its patent rights nor the rights of others. Motorola products are not designed, intended, or authorized for use as components in systems intended for surgical implant into the body, or other applications intended to support or sustain life, or for any other application in which the failure of the Motorola product could create a situation where personal injury or death may occur. Should Buyer purchase or use Motorola products for any such unintended or unauthorized application, Buyer shall indemnify and hold Motorola and its officers, employees, subsidiaries, affiliates, and distributors harmless against all claims, costs, damages, and expenses, and reasonable attorney fees arising out of, directly or indirectly, any claim of personal injury or death associated with such unintended or unauthorized use, even if such claim alleges that Motorola was negligent regarding the design or manufacture of the part. Motorola and the Stylized M Logo are registered trademarks of Motorola, Inc. Motorola, Inc. is an Equal Opportunity/Affirmative Action Employer.

MOTOROLA and the Stylized M Logo are registered in the US Patent & Trademark Office. All other product or service names are the property of their respective owners.

© Motorola, Inc. 2002.

#### How to reach us:

**USA/EUROPE/Locations Not Listed:** Motorola Literature Distribution; P.O. Box 5405, Denver, Colorado 80217. 1-303-675-2140 or 1-800-441-2447

**JAPAN:** Motorola Japan Ltd.; SPS, Technical Information Center, 3-20-1, Minami-Azabu, Minato-ku, Tokyo 106-8573 Japan. 81-3-3440-3569

**ASIA/PACIFIC:** Motorola Semiconductors H.K. Ltd.; Silicon Harbour Centre, 2 Dai King Street, Tai Po Industrial Estate, Tai Po, N.T., Hong Kong. 852-26668334

**Technical Information Center: 1-800-521-6274**

**HOME PAGE:** <http://www.motorola.com/semiconductors/>



**MOTOROLA**

**For More Information On This Product,  
Go to: [www.freescale.com](http://www.freescale.com)**

**MMA1250D/D**