

Data Sheet



CMA3000-A01 3-AXIS LOW POWER ANALOG OUTPUT ACCELEROMETER

Features

- 1.7 V – 3.6 V supply voltage
- Ratiometric analog voltage output for x, y and z acceleration
- User selectable ± 2 g and ± 8 g measurement ranges
- Low current consumption
 - Active 180 μ A
 - Power down $< 0.1 \mu$ A
- Size 2x2x0.95 mm³
- Proven capacitive 3D-MEMS technology
- High shock durability
- RoHS compliant / lead free soldering

Applications

CMA3000-A01 is targeted to battery operated devices. Typical applications are but not limited

- Gaming input devices
- Computer peripherals
- Free fall detection
- Activity monitoring

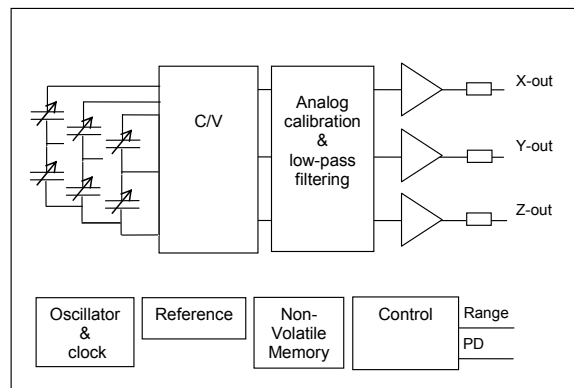


Figure 1 CMA3000-A01 Block Diagram

Performance Characteristics Targets ¹⁾

Parameter	Condition	Typical supply range 1.7 – 2.7 V			Extended supply range 2.7 – 3.6 V			Units
		Min	Typ ²⁾	Max	Min	Typ ²⁾	Max	
Vdd		1.7	2.5	2.7	2.7	3.3	3.6	V
Operating temperature **		-40	-	85	-40	-	85	°C
Current consumption *	Power down	-	<0.1		-	<0.1	-	µA
	Active	-	180		-	200	-	
Acceleration range *	Range pin set to "1"	-2	-	2	-2	-	2	g
	Range pin set to "0"	-8	-	8	-8	-	8	
Offset * ³⁾	X and Y axis	-	Vdd/2	-	-	Vdd/2	-	V
	Z axis	-	Vdd/2 +sens	-	-	Vdd/2 +sens	-	
Offset calibration error * ³⁾	Full scale=2 g, T=+25 °C	-100	±25	+100	-	±100	-	mg
Offset temperature error ** ⁴⁾	-40 ... +85 °C		±1		-	±1	-	mg/°C
	X and Z axis		±2.5		-	±2.5	-	
	Y axis				-		-	
Sensitivity * ⁵⁾	Full scale=2 g	-	Vdd/6	-	-	Vdd/6	-	V/g
	Full scale=8 g	-	Vdd/24	-	-	Vdd/24	-	V/g
Sensitivity calibration error *	T=+25 °C	-10	-	+10	-	±10	-	%
Sensitivity temperature error ** ⁶⁾	-40 ... +85 °C		±0.02			±0.02		%/°C
Non-Linearity ** ⁷⁾		-	1.5	3	-	1.5	-	% FS
Cross-Axis sensitivity ** ⁸⁾		-	1	-	-	1	-	%
Bandwidth** ⁹⁾	C _L =100 nF	30	50	70	30	50	70	Hz
	C _L =0 nF							
	X and Z axis		120		-	120	-	Hz
Noise ** ¹⁰⁾	Y axis		200		-	200	-	
	Full scale=2 g	-	300	600	-	300	600	µg/√Hz
	Full scale=8 g	-	300	600	-	300	600	µg/√Hz
Output resistance		28	32	36	28	32	36	kΩ

* 100% tested in production

** Qualified during product validation

1) The product is factory calibrated at 2.5 V in room temperature.

2) Typical values are not guaranteed.

3) Z-axis +1g position. Soldering process can cause offset shift which is typically less than 130 mg. Please see TN68_CMA3000_Assembly_Instructions for further details.

4) Offset temperature error = {Vout(0g)-Offset} / Sensitivity [g]. Sensitivity = Calibrated sensitivity.
Offset= Calibrated offset.

5) Sensitivity = {Vout(+1g) - Vout(-1g)}/2 [V/g] .

6) Sensitivity temperature error = {[Vout(+1g)-Vout(-1g)]/2 - Sensitivity} / Sensitivity x 100% [%].
Sensitivity = Calibrated sensitivity.

7) Best fit straight line.

8) The cross-axis sensitivity determines how much acceleration, perpendicular to the measuring axis, couples to the output. The total cross-axis sensitivity is the geometric sum of the sensitivities of the two axes which are perpendicular to the measuring axis. The angular alignment error between X, Y and Z axis is included into the cross axis sensitivity.

9) Frequency response -3dB roll off frequency = 1/(2π*32kΩ*C_L), when C_L≥50 nF.

10) Average noise/axis over the measurement bandwidth defined as $\sqrt{\frac{1}{3}(n_x^2 + n_y^2 + n_z^2)}$, where n_x, n_y and n_z are the measured signal's standard deviation due to noise in x, y and z directions.

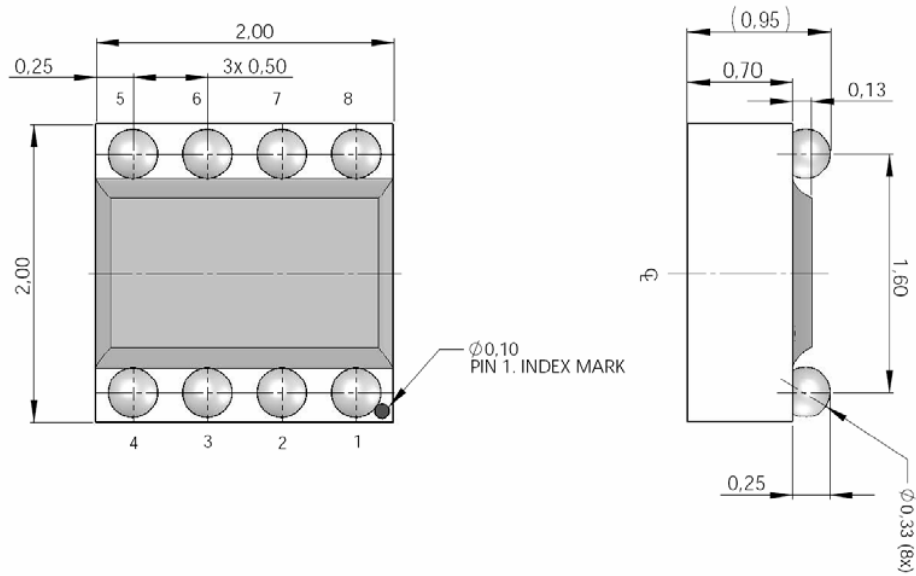


Figure 2 Package dimensions in mm with $\pm 50 \mu\text{m}$ tolerance.

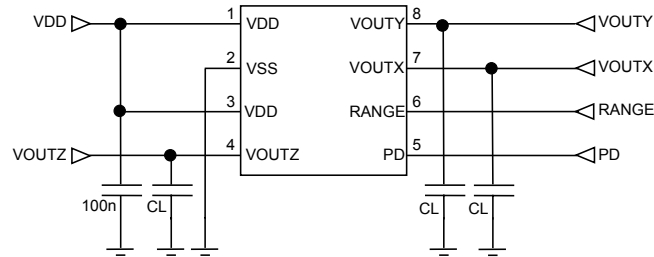


Figure 3 Application schematic

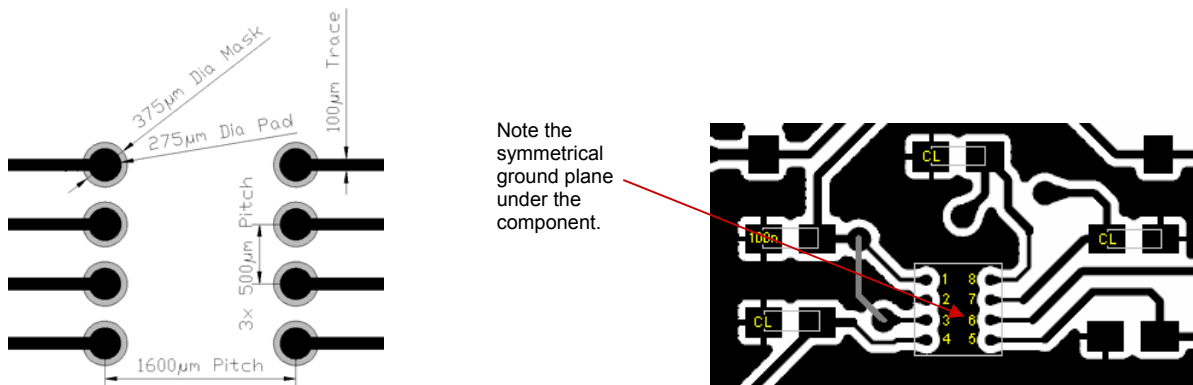


Figure 4 Recommended layout pattern (not actual size, for reference only)

Table 1 Pin descriptions

Pin #	Name	Function
1	VDD	Supply voltage
2	VSS	Ground
3	VDD	Supply voltage
4	VOUZ	Output voltage Z-channel
5	PD	Power Down
6	RANGE	Acceleration Range selection
7	VOUX	Output voltage X-channel
8	VOUY	Output voltage Y-channel

Document Change Control

Rev.	Date	Change Description
0.1	15-May-07	1 st version
0.2	22-May-07	Application schematic added
0.3	24-Aug-07	Pin order updated, component layout pattern added
0.4	10-Sep-07	Block diagram updated
0.5	11-Jan-08	Acceleration range control polarity updated
0.6	16-Jan-08	Offset level added, package drawing, pad layout updated
0.7	14-Feb-08	Performance characteristics update
0.8	03-Jun-08	Target values updated. Figure 2 updated.
0.9	04-Jul-08	Figure 2 updated.
0.10	28-Aug-08	Current consumption, sensitivity and sensitivity temperature error, non-linearity, cross axis sensitivity and noise updated.
0.11	10-Dec-08	Performance characteristics and notes updated. Figure 2 updated.
0.12	29-Dec-08	Version for launch
A.01	26-Oct-09	Release A.