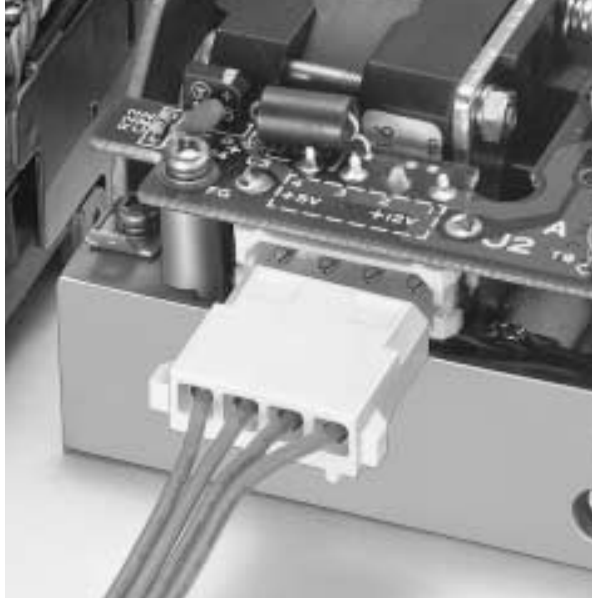


JST

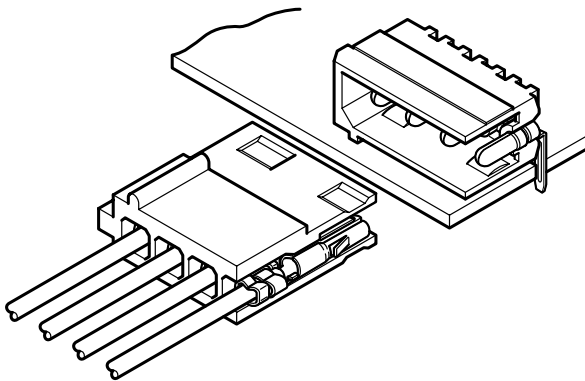
Crimp

5.08mm
(.200") pitch

LC CONNECTOR

Disconnectable Crimp style connectors

This reliable, low cost connector is suited for bringing power to printed circuit boards in office automation equipment. A major application has been in secondary power supply circuits of floppy disk drives.



Features

- **Anti-misinsertion feature**

The plug and header are polarized, thus preventing misinsertion of the connector.

- **Self-locking housing clamp**

The self-locking housing clamp for the header ensures easy handling and sturdy mounting.

- **Two kinds of headers**

Type A and B headers are available to match the mounting direction of your printed circuit boards.

- **Two-wire crimp style contact**

Two-wire crimp contacts which facilitate branch connections and internal jumpering are available.

Specifications

- Current rating: 7A AC, DC (AWG #18)
 - Voltage rating: 250V AC, DC
 - Temperature range: -25°C to +90°C
(including temperature rise in applying electrical current)
 - Contact resistance: Initial value/10m Ω max.
After environmental testing/20m Ω max.
 - Insulation resistance: 1,000M Ω min.
 - Withstanding voltage: 1,500V AC/minute
 - Applicable wire: AWG #22 to #18
 - Applicable PC board thickness: 1.6mm(.063")
 - Number of circuits: 4
- * Contact JST for details.

Standards

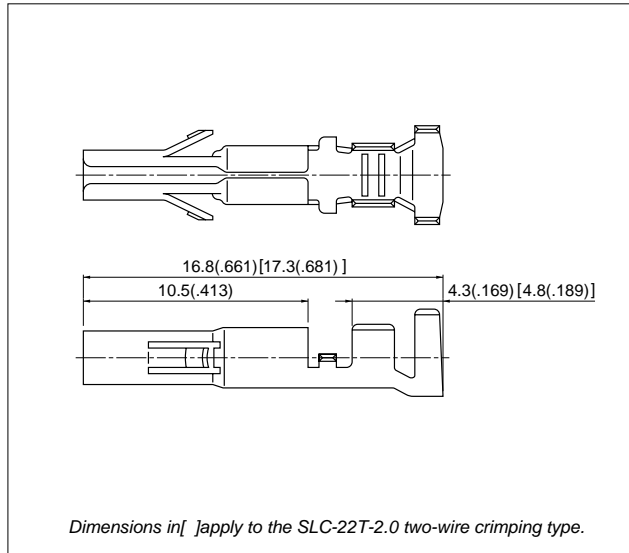
Recognized E60389

Certified LR20812

160 JST

LC CONNECTOR

Contact



One-wire crimping type

Model No.	Applicable wire			Q'ty / reel
	mm ²	AWG #	Insulation O.D. mm(in.)	
SLC-21T-2.0	0.3 to 0.75	22 to 18	1.7 to 2.1 (.067 to .083)	4,000

Material and Finish

Brass, tin-plated

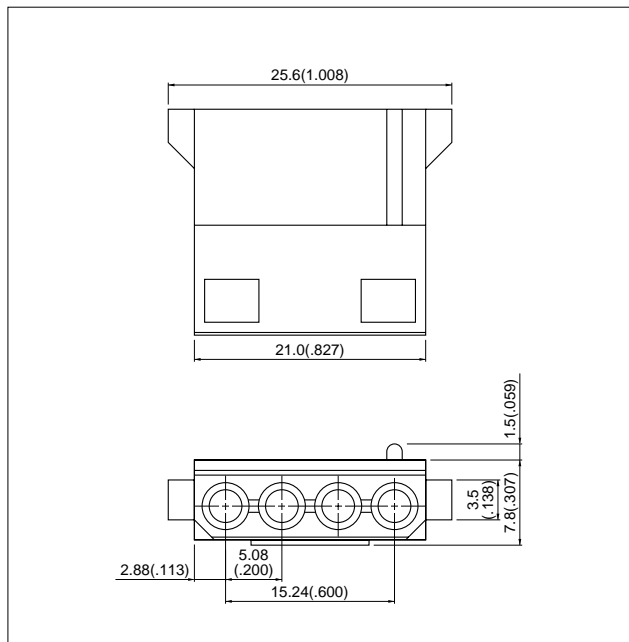
Two-wire crimping type

Model No.	Combination of applicable wires UL1007 AWG #	Q'ty / reel
SLC-22T-2.0	20+20, 20+18, 18+18	3,000

Material and Finish

Brass, tin-plated

Housing



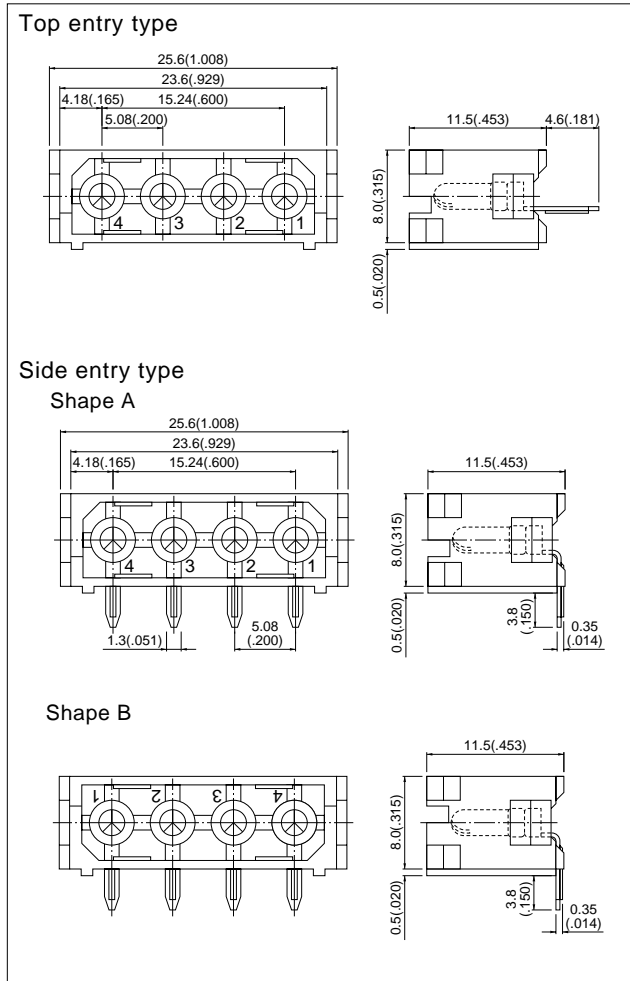
Model No.	Q'ty / box
LCP-04	500

Material

Nylon 6, UL94V-0, natural (white)

LC CONNECTOR

Shrouded header



Top entry type

Model No.	Q'ty / box
LC-04T	100

Material and Finish

Contact: Brass, copper-undercoated, tin-plated
Housing: Nylon 66, UL94V-0, natural (white)

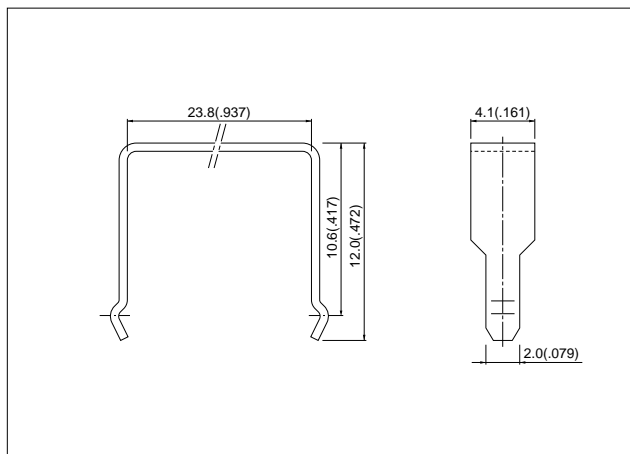
Side entry type

Shape	Model No.	Q'ty / box
A	LC-04A	100
B	LC-04B	

Material and Finish

Contact: Brass, copper-undercoated, tin-plated
Housing: Nylon 66, UL94V-0, natural (white)

Housing clamp

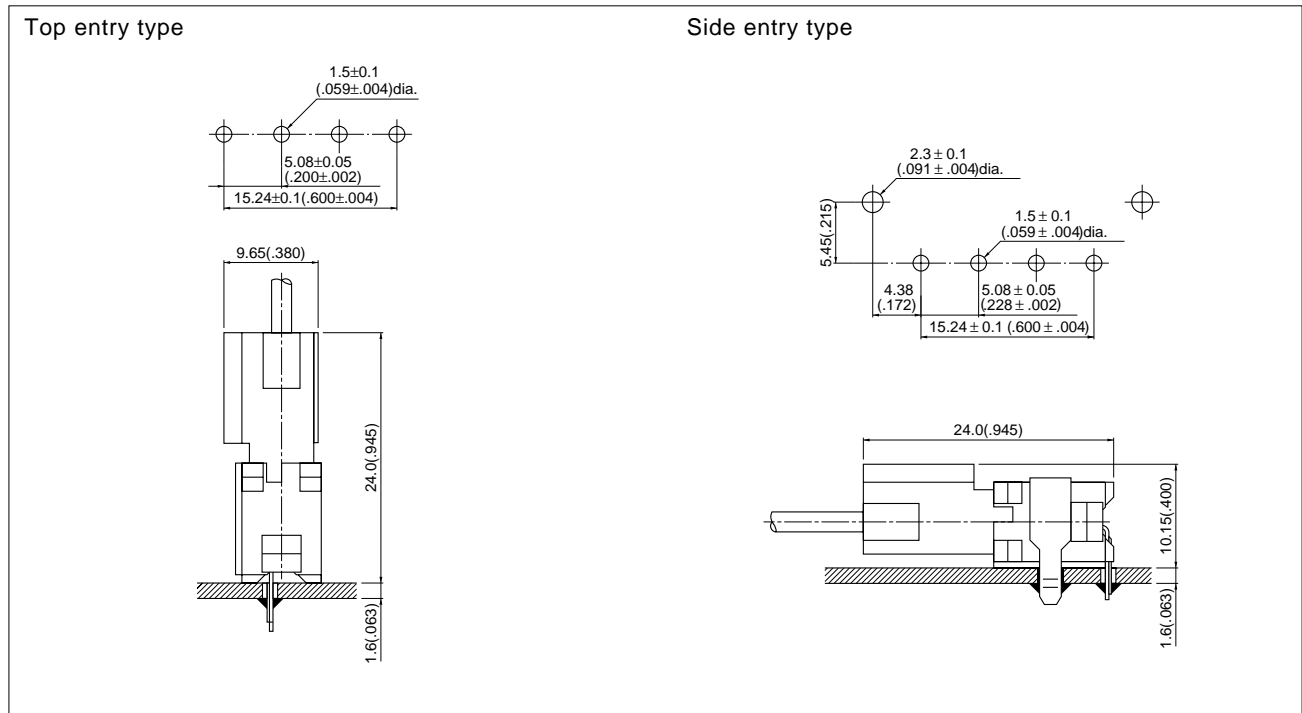


Model No.	Q'ty / box
LCC-04	500

Material and Finish

Brass, copper-undercoated, tin-plated

PC board layout (viewed from component side) and Assembly layout



Note:

1. Tolerances are non-cumulative: $\pm 0.05\text{mm} (\pm .002")$ for all centers.
2. Hole dimensions differ according to the kind of PC board and piercing method. The dimensions above should serve as a guideline. Contact JST for details.

Applicator for the semi-automatic press AP-K2N

Contact	Crimp applicator MKS-L		Compact crimp applicator MKS-LS		Strip-crimp applicator MKS-SC
	with safety cover	without safety cover	with safety cover	without safety cover	with safety cover
SLC-21T-2.0	APLMK SLC21-20	APLNC SLC21-20	-	-	-
SLC-22T-2.0	APLMK SLC22-20	APLNC SLC22-20	-	-	-