

180° Receptacle Contacts

Technical Features

Wire Size Range:

0.5 to 1.5 mm²
2.5 to 4.0 mm²
4.0 to 6.0 mm²

Current Carrying Capacity:

up to 25 A

Insertion Force:

approx. 27 N

Extraction Force,

Latch Release Ineffective:

approx. 7 N

Material Thickness:

0.4 mm

Extraction Force,

Latch Release Effective:

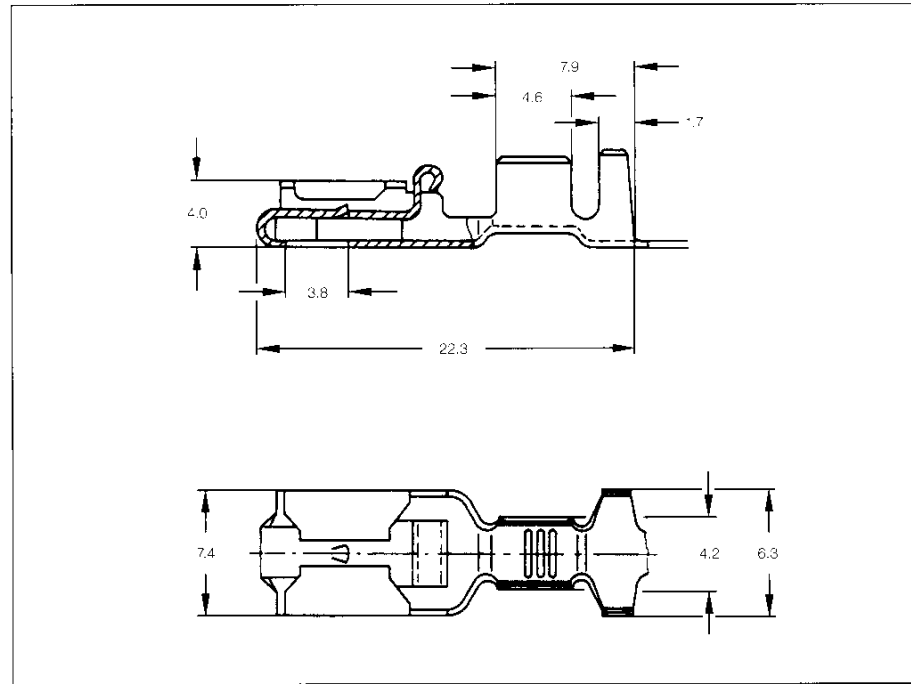
≥ 100 N (without vibration)

Contact Material:

Brass or phosphor bronze

Contact Finish:

plain, tin plated, nickel plated or silver plated



Special Materials and Finishes available on request.

Pneumatic Tooling Machine: Part No. 656055-1

Crimping Head: Part No. 656080-1 (for Wire Size Range 0.5–1.5 and 2.5–4.0 mm²)

180° Receptacle Contacts

Wire Size Range mm ² (AWG)	Insulation Diameter		Material and Finish	Part Numbers				Applicator*	Hand Tool
	FLK mm (Inch)	FLR mm (Inch)		Strip Form	Packaging Unit	Loose-Piece	Packaging Unit		
0.5-1.0 (20-17)	2.0-3.3 (.079-.130)	-	CuZn, plain	927867-1	1,500	927868-1	1,300	-	734372-1 with Die 734384-1
			CuSn, plain	927867-2	1,500	927868-2	-		
			CuZn, pre-tin plated	927867-6	1,500	927868-6	1,300		
			CuSn, pre-tin plated	927867-7	1,500	927868-7	-		
			CuSn, pre-tin plated	927867-8	1,500	927868-8	-		
0.5-1.0 (20-17)	-	1.4-2.3 (.055-.091)	CuZn, plain	927852-1	1,500	927853-1	1,300	-	169400-0 with Die 734469-0
			CuSn, plain	927852-2	1,500	927853-2	1,300		
			CuZn, pre-tin plated	927852-6	1,500	927853-6	500		
			CuSn, pre-tin plated	927852-7	1,500	927853-7	1,300		
			CuSn, pre-tin plated	927852-8	1,500	927853-8	1,500		
0.5-1.5 (20-15)	2.3-3.3 (.091-.130)	-	CuZn, plain	160759-1	1,500	160773-1	500	-	654174-1
			CuSn, plain	160759-2	1,500	160773-2	500		
			CuZn, tin plated	160759-3	1,500	160773-3	500		
			CuSn, tin plated	160759-4	1,500	160773-4	500		
			CuZn, plain	281827-1	-	-	-		
			CuZn, tin plated	281827-2	1,500	-	-		
			CuZn, pre-tin plated	1-160759-1	1,500	160773-6	500		
CuSn, pre-tin plated	1-160759-2	1,500	160773-7	500					
0.7-2.0 (18-14)	2.4-3.2 (.095-.126)	-	CuZn, plain	154718-1	1,500	341002-1	500	-	525651-0
			CuSn, plain	154718-2	1,500	341002-2	500		
			CuSn, tin plated	154718-4	1,500	-	-		
			CuZn, pre-tin plated	154718-6	1,500	341002-6	500		
			CuSn, pre-tin plated	154718-7	1,500	341002-7	500		

*) Applicators are application specific, consult Tyco Electronics for details.